

OTTOSTUMM | **mogs**

distinctive steel window systems

OTTOSTUMM | **mogs**

distinctive steel window systems

## Swiss technology, italian design

Minimal windows and doors, large sliding openings, hot-rolled FerroFinestra and high-performance curtain walls: Ottostumm | Mogs systems in steel and architectural bronze are characterised by an essential and contemporary design, permeated with the finest Italian design and manufactured with Swiss highest technology.

The precise study of the design of the profiles guarantees the creation of perfect windows and doors, and allows for the installation of cutting-edge glass panes. The high quality of the steel and bronze alloys, the proper thickness of the steel sheet and the variety of the range make Ottostumm | Mogs systems the most valuable solution to any design requirement, both in modern architecture and in restoration works.

Ottostumm | Mogs gets to the essence of function and translates it into timeless style.











## FerroFinestra

Stucco   Hot rolled steel	PAG 16
W20   Hot rolled steel	PAG 20
W40   Hot rolled steel	PAG 26
W50 TB   Galvanized steel	PAG 34
W75 TB   Galvanized steel	PAG 42
W75 TB   Stainless steel	PAG 52
W75 TB   Cor-Ten steel	PAG 60
W75 TB   Bright steel	PAG 68
T42 TB   Bright steel – Stainless steel (laser welded)	PAG 76
Custom CPX TB   Stainless steel (laser welded)	PAG 82

## BronzoFinestra

B40   Architectural bronze	PAG 90
B75 TB   Architectural bronze	PAG 98

## Mogs 2 mm

M65 TB   Galvanized steel	PAG 108
M65 TB   Stainless steel	PAG 116
M65 TB   Cor-Ten steel	PAG 124
M65 TB   Bright steel	PAG 132
Basic   Galvanized steel – Bright steel	PAG 140

## Door

D75 TB   Galvanized steel	PAG 152
D75 TB   Stainless steel	PAG 158
D75 TB   Cor-Ten steel	PAG 164
D75 TB   Bright steel	PAG 170
DB75 TB   Architectural bronze	PAG 176

## Lift&Slide

Lift&Slide MLS72 TB	PAG 184
Galvanized steel – Stainless steel – Cor-Ten steel	

## Curtain Walls

Curtain Walls OS-TEC 50-1 TB	PAG 196
Curtain Walls OS-TEC 60-1 TB	PAG 204
Curtain Walls OS-TEC 80-1 TB	PAG 210

## Accessories

General accessories	PAG 218
---------------------	---------



# FERRO FINESTRA

Lightness, symmetries and perfect proportions.

The authentic FerroFinestra is now a very wide family, both in steel and in architectural bronze, which allows for large openings with very slender profiles and maximum performance.

From the historic hot-rolled steel profiles to the new thermal break W75 TB, FerroFinestra makes it possible to create wide dimensional ranges with a minimalist design, for doors and windows of deep beauty.

Stucco | Hot rolled steel  
 W20 | Hot rolled steel  
 W40 | Hot rolled steel  
 W50 TB | Galvanized steel  
 W75 TB | Galvanized steel  
 W75 TB | Stainless steel  
 W75 TB | Cor-Ten steel  
 W75 TB | Bright steel  
 T42 TB | Bright steel – Stainless steel (laser welded)  
 Custom CPX TB | Stainless steel (laser welded)

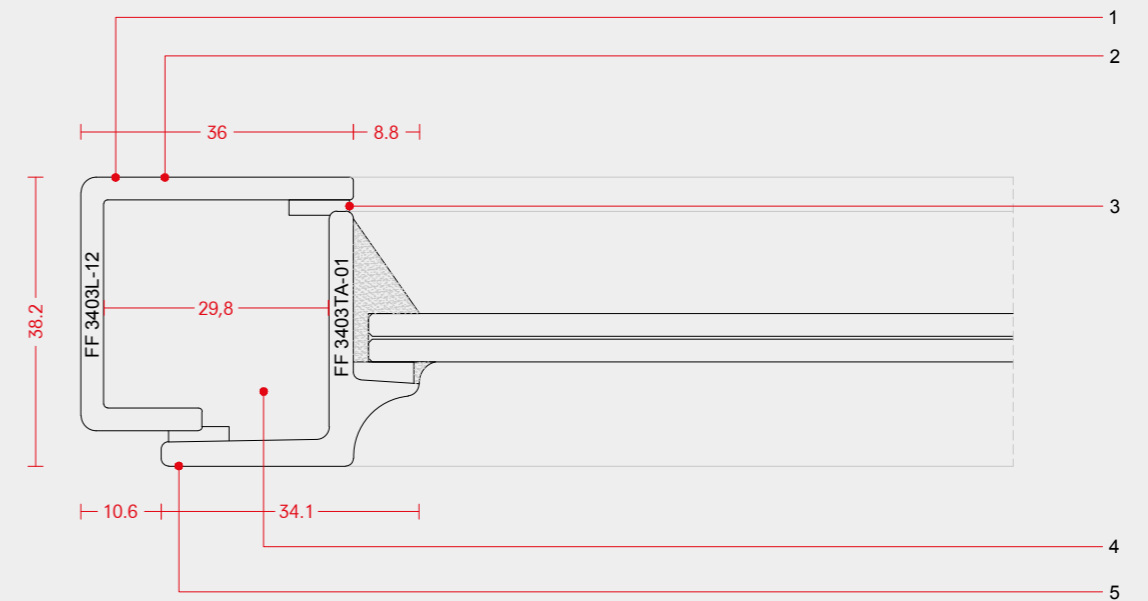
## FerroFinestra Stucco

Stucco, with its distinctive design, is the historical, hot-rolled steel series that takes us back to the late 19th and early 20th centuries. The system takes its name from the stucco (putty), which confers an evocative aesthetic and makes it ideal for highly suggestive windows and interior partitions. FerroFinestra Stucco can accommodate tempered or multi-layered glass. The production of these profiles follows the original hot-rolling technique, which gives them a unique material texture and amplifies the natural feature of steel.



### MAIN FEATURES

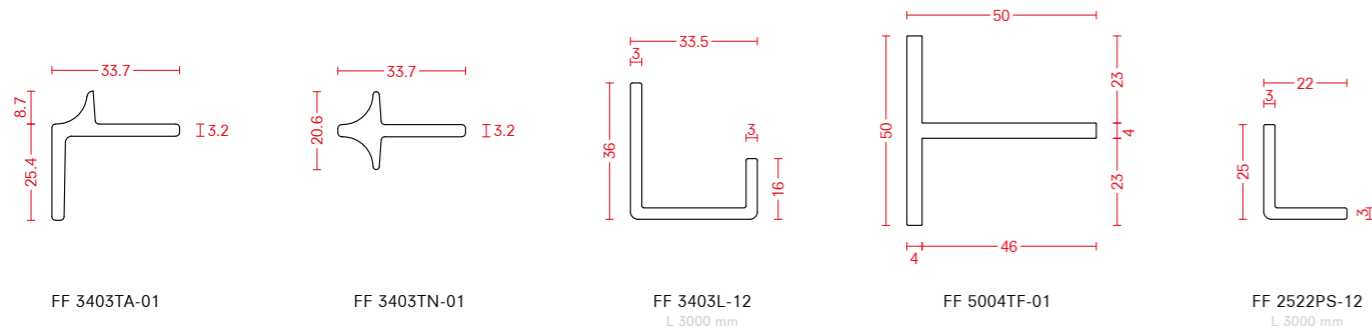
1. hot rolled steel profile - high precision production lines
2. solid profile with a material thickness of 3 mm
3. self-adhesive non-shrinking gaskets
4. wide range of exclusive fittings, both contemporary and reproduced from original designs of the modern era
5. "natural steel" surface finish, for an industrial look of internal partitions, besides coating in any RAL or customized colours



drawing scale 1:1

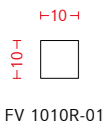
profile range – bar length 5800 mm

-01 Hot rolled steel -12 Bright steel



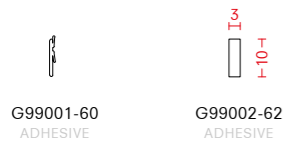
steel glazing beads – bar length 6000 mm

-01 Hot rolled steel



rebate gaskets

-60 Black EPDM -62 PVC



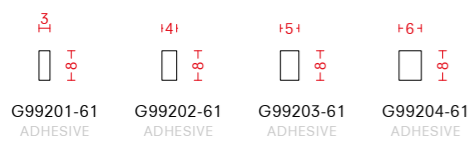
glass – external gaskets

-61 Neoprene



glass – internal gaskets

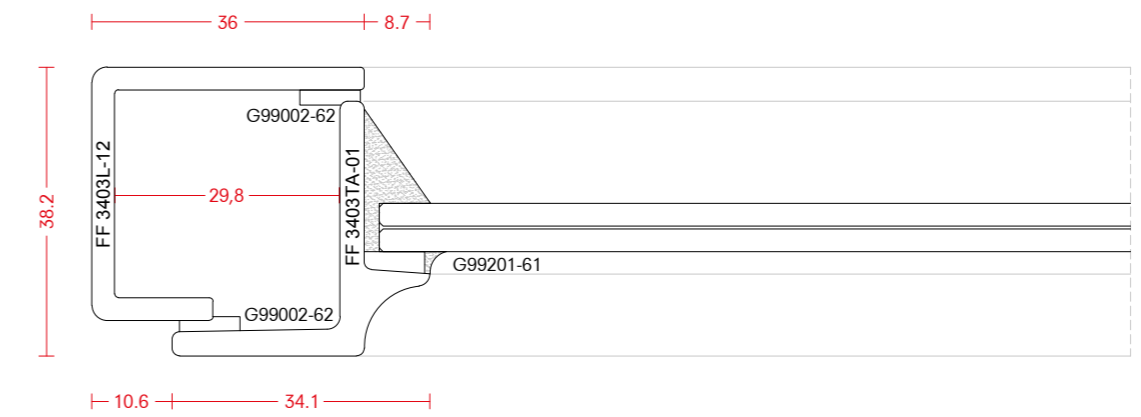
-61 Neoprene



examples

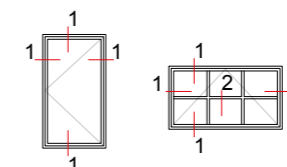
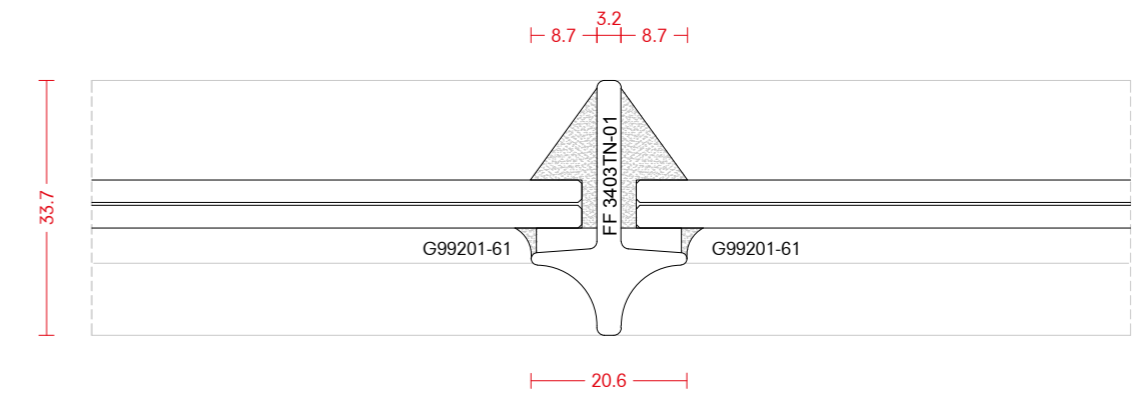
SECTION 1

EXTERNAL / INTERNAL



SECTION 2

EXTERNAL / INTERNAL



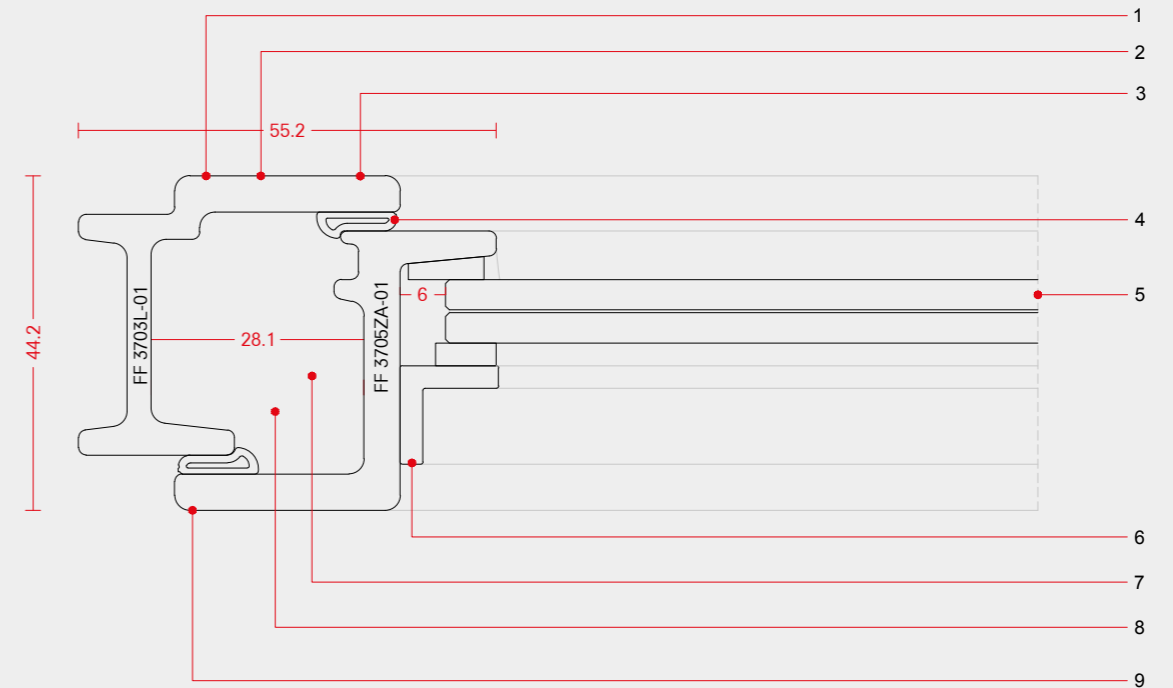
## FerroFinestra W20

FerroFinestra W20 takes its origin from the British “Universal Range”. It is a complete line of hot-rolled steel profiles that gives a modern twist to the historic design of the 20th Century. Used both for external openings and internal partitions, it maintains stylistic continuity between the choices of the building envelope and those of the interior design. The wide range of possible finishes, from the industrial effect of “natural” steel to coating, guarantees great design creativity.



### MAIN FEATURES

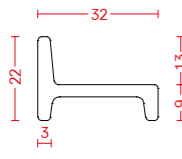
1. hot rolled steel profile - high precision production lines
2. solid profile with a thickness from 3 to 5 mm
3. both internal and external overlapping sightline
4. self-adhesive non-shrinking gaskets
5. profile depth compatible with insulating glass up to 21 mm
6. wide choice of glazing beads, for different design of the window
7. wide range of exclusive fittings, both contemporary and reproduced from original designs of the modern era
8. side-hung windows opening inwards and outwards, horizontal pivoting windows, folding doors
9. “natural steel” surface finish, for an industrial look of internal partitions, besides coating in any RAL or customized colours



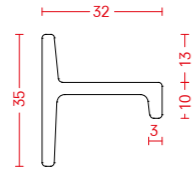
drawing scale 1:1

profile range – bar length 5800 mm

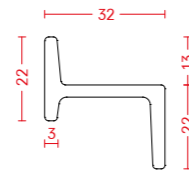
-01 Hot rolled steel -14 Laser welded and sand blasted steel



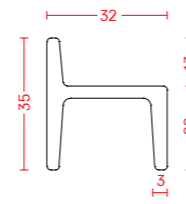
FF 3203LF-01



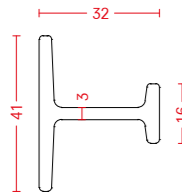
FF 3203TF-01



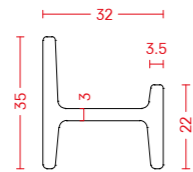
FF 3203ZF-01



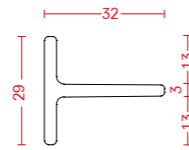
FF 3203HF-01



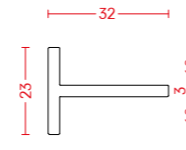
FF 3203TD-01



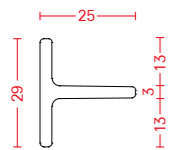
FF 3203H-01



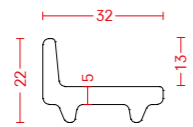
FF 3203TN-01



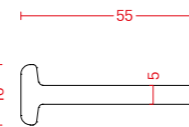
FF 3203TR-14



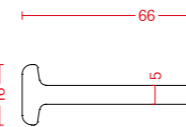
FF 2503TR-01



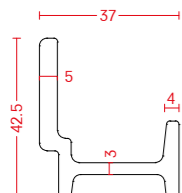
FF 3205LC-01



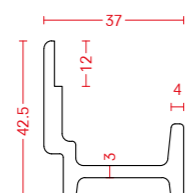
FF 5505SV-01



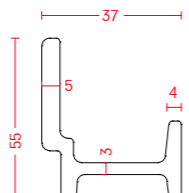
FF 6605SO-01



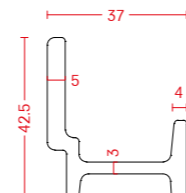
FF 3703L-01



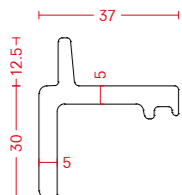
FF 3703LP-01



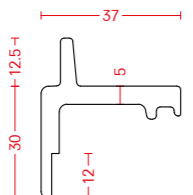
FF 3703T-01



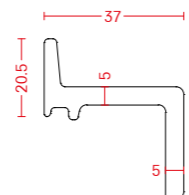
FF 3703Z-01



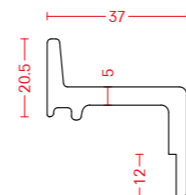
FF 3705TA-01



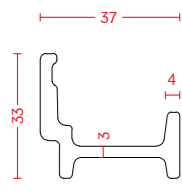
FF 3705TAP-01



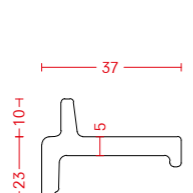
FF 3705ZA-01



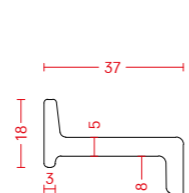
FF 3705ZAP-01



FF 3703LS-01



FF 3705TS-01



FF 3705ZS-01

steel glazing beads – bar length 5800 mm

-01 Hot rolled steel -03 Stainless steel AISI 304 2B



FV 1313A-01



FV 1316A-01



FV 1010R-01  
L 6000 mm



D99867-03 D99866-03

snap-on glazing beads – bar length 5800 mm

-00 Aluminum -03 Stainless steel AISI 304 2B



FV 1302R-00



FV 1310S-00



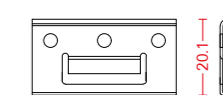
FV 1312S-00



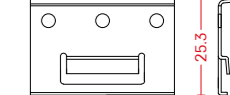
FV 1312R-00



D99950-03  
RIVET



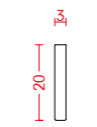
F99001-03



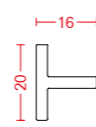
F99002-03

false muntins – bar length 5800 mm

-01 Hot rolled steel -14 Laser welded and sand blasted steel -74 Double adhesive tape



FF 2003IP-01



FF 2016IT-14\*



G99301-74  
INTERNAL AND EXTERNAL  
USE 8x1,5 mm

rebate gaskets

-60 Black EPDM -61 Neoprene -62 PVC



G99019-60  
ADHESIVE



G99001-60  
ADHESIVE



G99002-62  
ADHESIVE



G99201-61  
ADHESIVE



G99202-61  
ADHESIVE



G99203-61  
ADHESIVE

glass – internal gaskets

-60 Black EPDM -61 Neoprene



G99201-61  
ADHESIVE



G99203-61  
ADHESIVE



G99203-61  
ADHESIVE



G99204-61  
ADHESIVE



G99205-60



G99206-60



G99207-60



G99208-60

weather bars

-00 Aluminum -02 Galvanized steel



A99001-00  
L 5800 mm



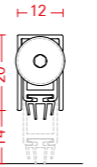
D99901-02  
SCREW FOR  
A99001-00



A99006-02  
L 5000 mm

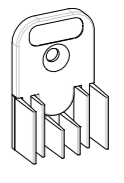
fittings examples – see accessories chapter for details

-35 Black -41 Grey RAL 7035 -62 PVC



AUTOMATIC  
DROP SEAL

G99501-62	330 mm	(shortenable up to 50 mm)	G99506-62	830 mm	(shortenable up to 200 mm)
G99502-62	430 mm	(shortenable up to 135 mm)	G99507-62	930 mm	(shortenable up to 200 mm)
G99503-62	530 mm	(shortenable up to 200 mm)	G99508-62	1030 mm	(shortenable up to 200 mm)
G99504-62	630 mm	(shortenable up to 200 mm)	G99509-62	1130 mm	(shortenable up to 200 mm)
G99505-62	730 mm	(shortenable up to 200 mm)	G99510-62	1230 mm	(shortenable up to 200 mm)

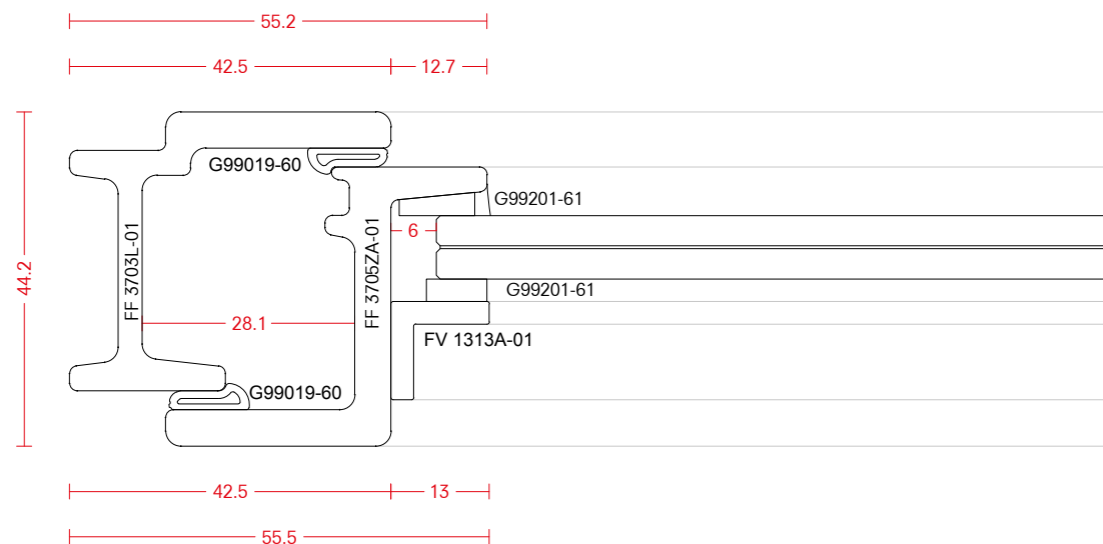


G99511-35 BLACK  
G99511-41 GREY RAL 7035  
SIDEWARD COVER CAP  
FOR DROP-DOWN SEAL

examples - open in

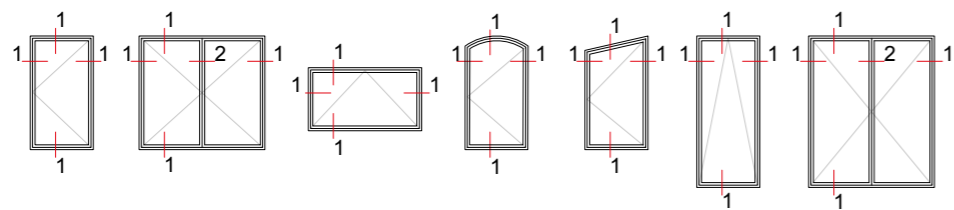
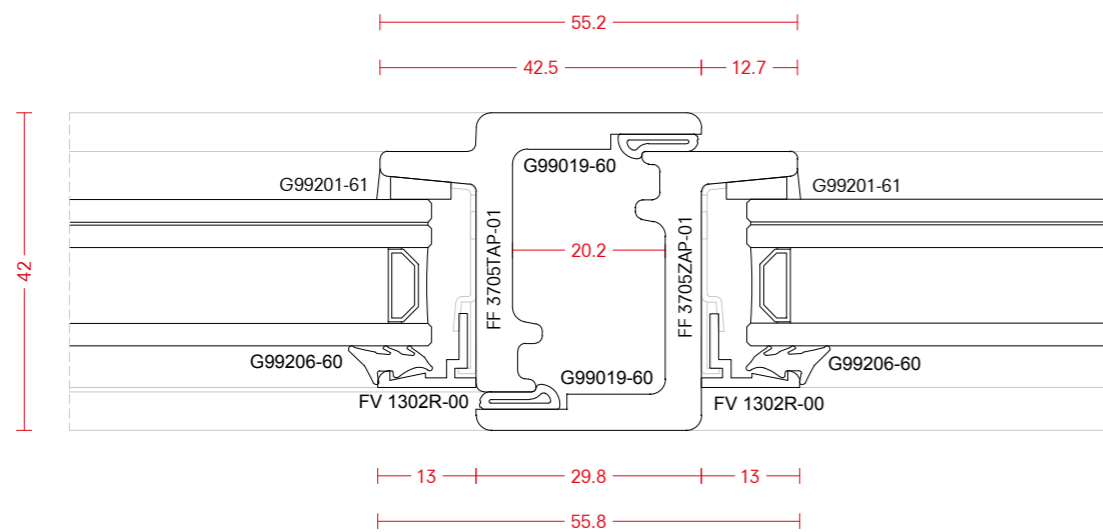
SECTION 1

EXTERNAL



SECTION 2

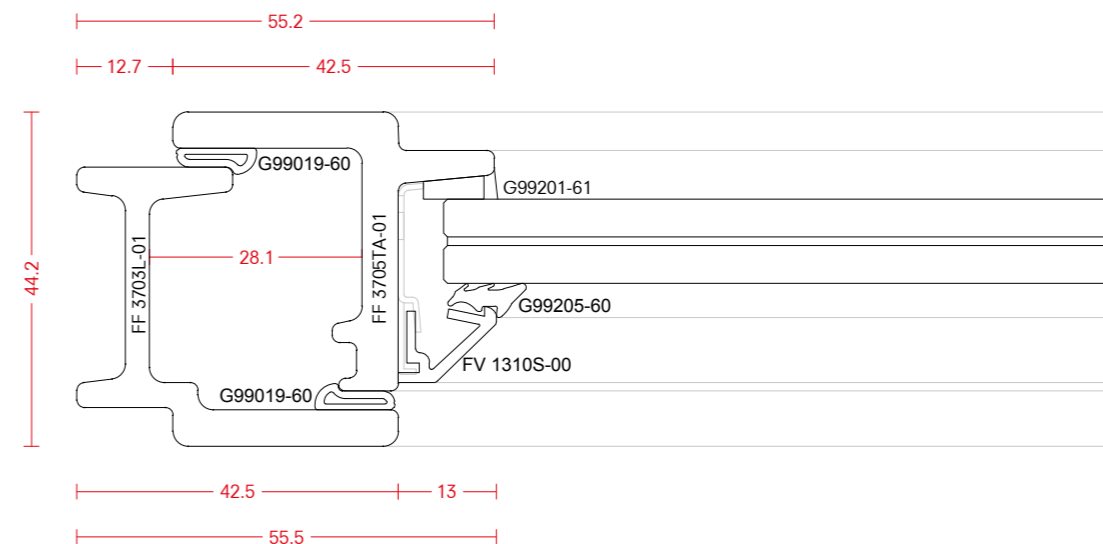
EXTERNAL



examples - open out

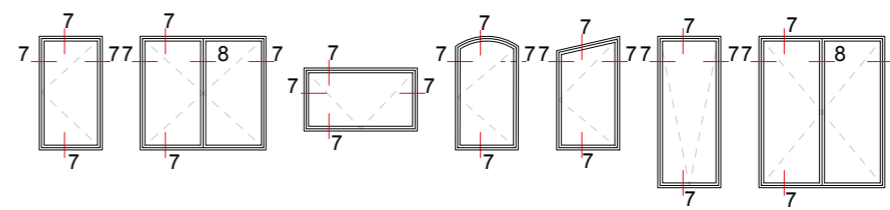
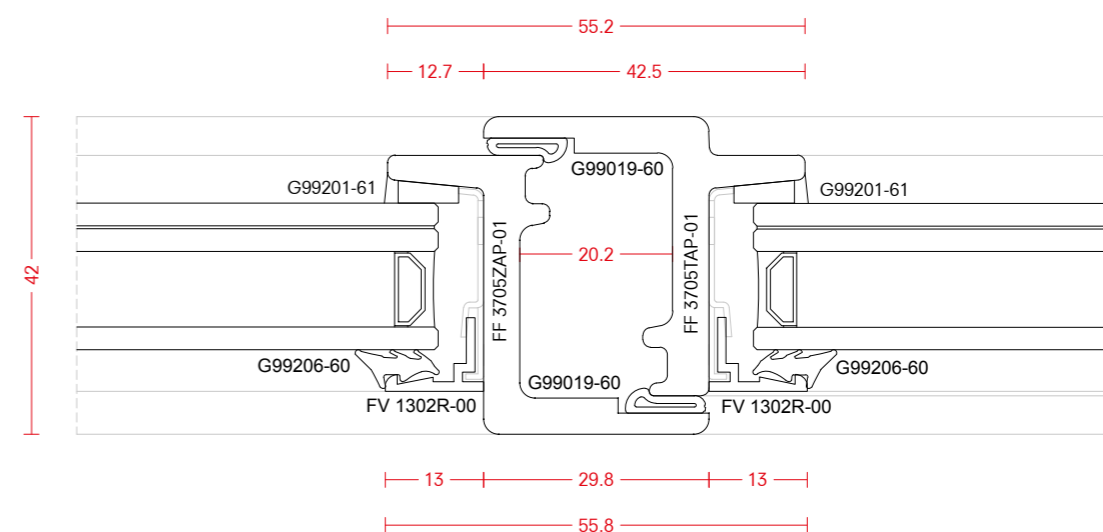
SECTION 3

EXTERNAL



SECTION 4

EXTERNAL



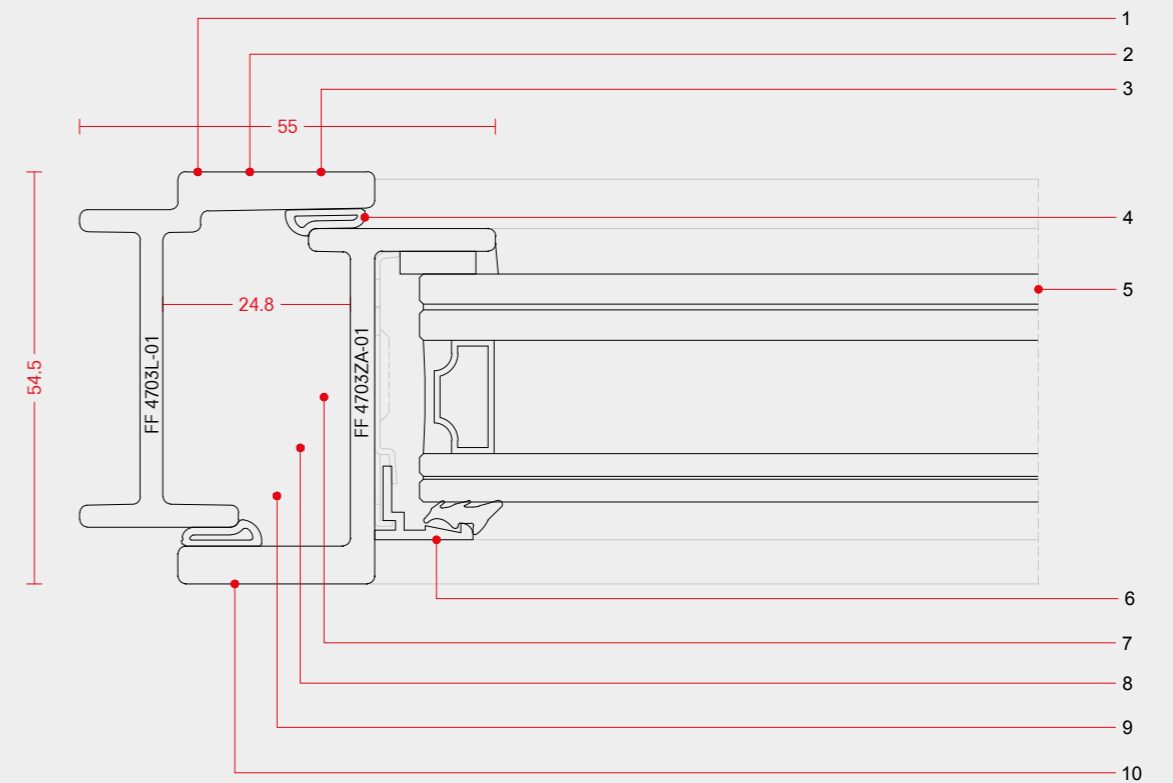
## FerroFinestra W40

FerroFinestra W40 authentically keeps the style that left an everlasting mark on architecture from the early 20th Century onwards, with its clean, elegant design. Together with the Stucco and W20 profiles, FerroFinestra W40 is the only one on the market to use the original hot-rolling production technique, introduced at the end of the 19th Century. Ottostumm | Mogs FerroFinestra W40 comes in a complete range of thick steel profiles, guaranteeing utmost strength. The system makes it possible to create very large windows with minimalistic frames, in all types of opening: side-hung, bottom-hung and top hung, tilt and turn, pivoting, sliding and folding.



### MAIN FEATURES

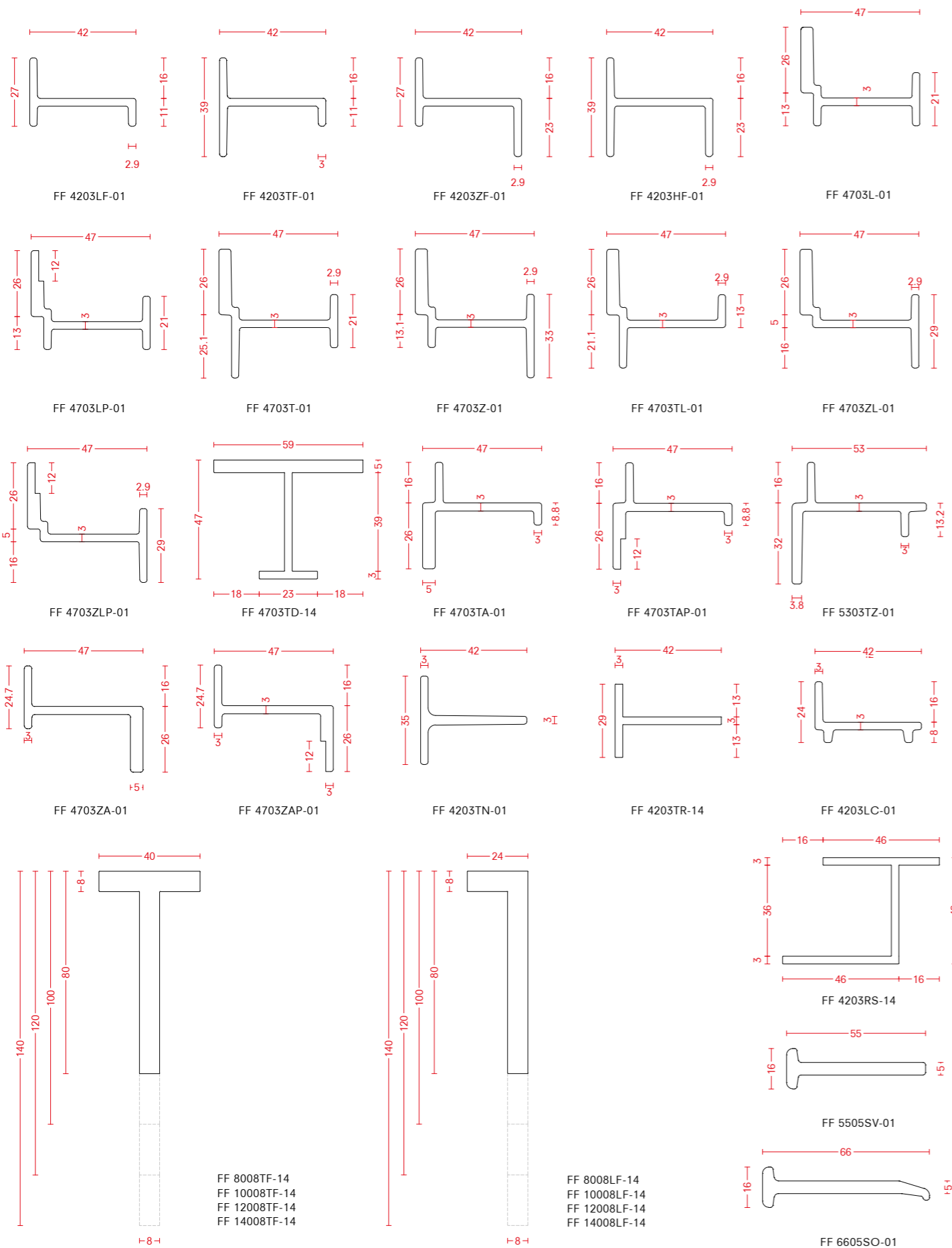
1. hot rolled steel profile - high precision production lines
2. solid profile with a thickness from 3 to 5 mm
3. both internal and external overlapping sightline
4. self-adhesive non-shrinking gaskets
5. profile depth compatible with insulating glass up to 31 mm
6. wide choice of different glazing beads
7. wide range of exclusive fittings, both contemporary and reproduced from original designs of the modern era
8. compatible with invisible tilt and turn opening mechanism
9. side-hung, top-hung and bottom-hung windows, tilt and turn, pivoting windows, sliding and folding doors
10. "natural steel" surface finish, for an industrial look of internal partitions, besides coating in any RAL or customized colours



drawing scale 1:1

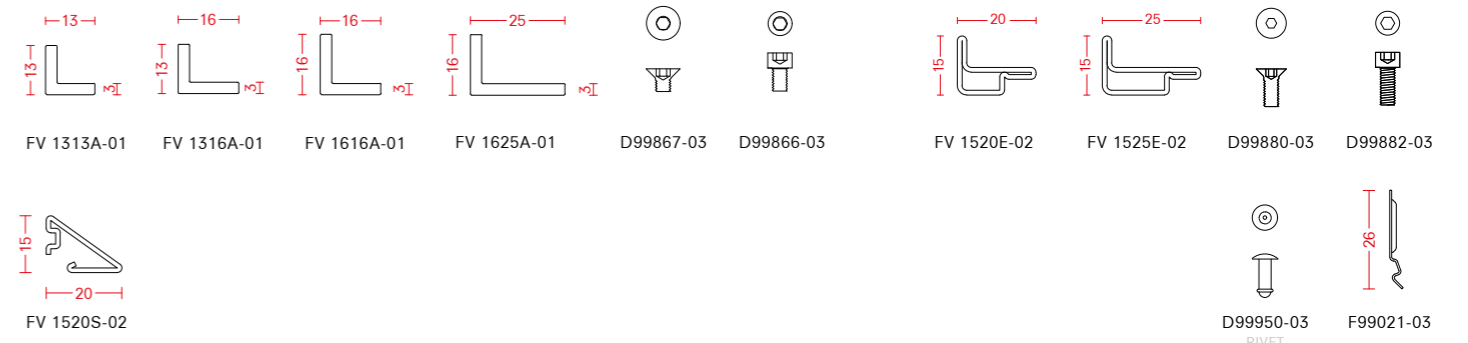
profile range – bar length 5800 mm

-01 Hot rolled steel -14 Laser welded and sand blasted steel



angular glazing beads – bar length 5800 mm

-01 Hot rolled steel -02 Galvanized steel -03 Stainless steel AISI 304 2B



fixing screws

snap-on glazing beads – bar length 5800 mm

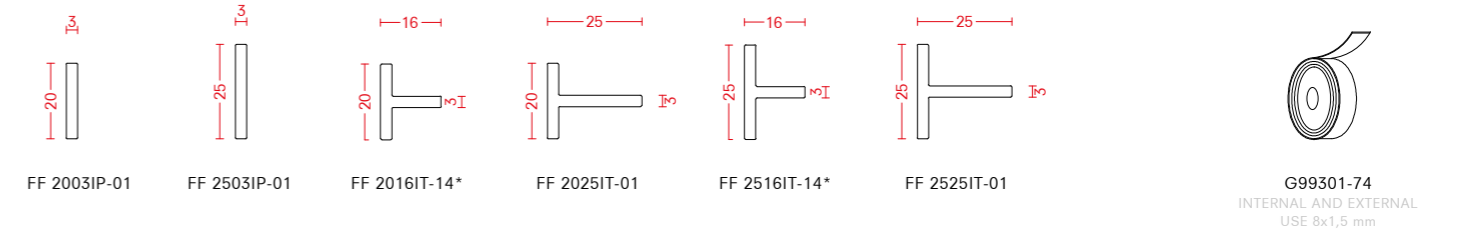
-00 Aluminum -03 Stainless steel AISI 304 2B



clips

false muntins – bar length 5800 mm

-01 Hot rolled steel -14 Laser welded and sand blasted steel -74 Double adhesive tape



double sided tape

rebate gaskets

-60 Black EPDM -61 Neoprene -62 PVC



glass – external gaskets

glass – internal gaskets

-60 Black EPDM -61 Neoprene



weather bars

-00 Aluminum -02 Galvanized steel -06 Satin stainless steel AISI 316L -12 Bright steel

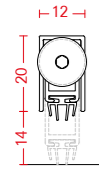


end pieces for second leaf

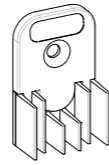


automatic drop seal

-35 Black -41 Grey RAL 7035 -62 PVC



G99501-62	330 mm	(shortenable up to 50 mm)	G99506-62	830 mm	(shortenable up to 200 mm)
G99502-62	430 mm	(shortenable up to 135 mm)	G99507-62	930 mm	(shortenable up to 200 mm)
G99503-62	530 mm	(shortenable up to 200 mm)	G99508-62	1030 mm	(shortenable up to 200 mm)
G99504-62	630 mm	(shortenable up to 200 mm)	G99509-62	1130 mm	(shortenable up to 200 mm)
G99505-62	730 mm	(shortenable up to 200 mm)	G99510-62	1230 mm	(shortenable up to 200 mm)



G99511-35 BLACK  
G99511-41 GREY RAL 7035  
SIDEWARD COVER CAP FOR  
DROP-DOWN SEAL

AUTOMATIC  
DROP SEAL

tilt and turn fittings - see accessories chapter for details

-00 Aluminum



E99501-00  
ALUMINIUM GUIDE FOR FRAME  
L 4000 mm

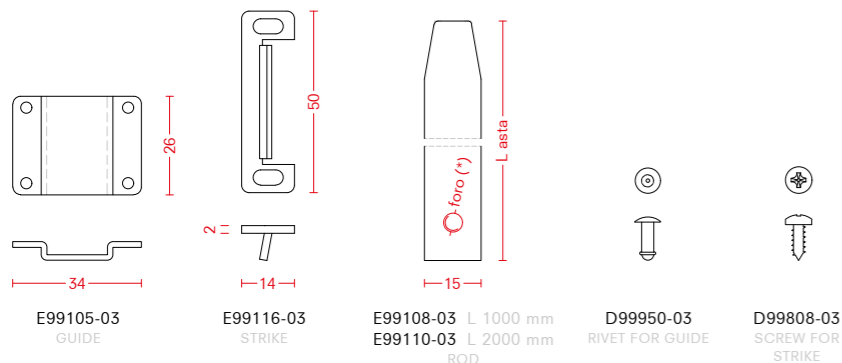


E99502-00  
ALUMINIUM GUIDE FOR SASH  
L 4000 mm

WARNING:  
DISTANCE BETWEEN FRAME AND SASH MUST  
BE INCREASED FROM 24,8 TO 26,5 mm

rod

-03 Stainless steel AISI 304 2B



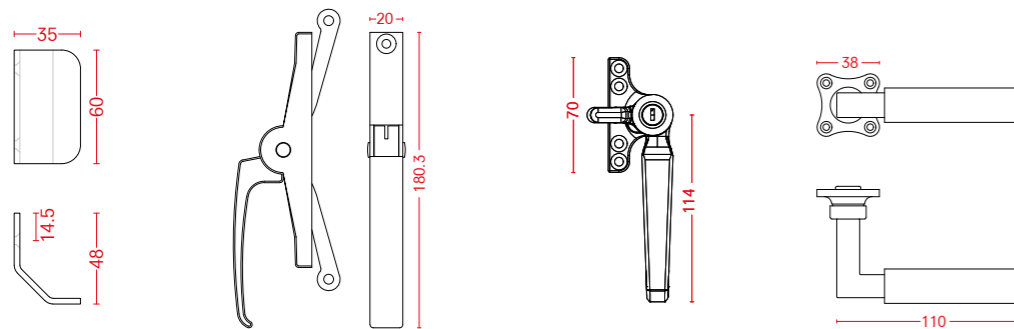
K99031 - SET RODS 1000+2000		
Code	Quantity	Description
E99108-03	1	Rod 1000 mm
E99110-03	1	Rod 2000 mm
E99105-03	5	Rod guide
E99116-03	2	Rod strike
D99950-03	20	Rivet for guide
D99808-03	4	Screw for strike

K99030 - SET RODS 1000+1000		
Code	Quantity	Description
E99108-03	2	Rod 1000 mm
E99105-03	4	Rod guide
E99116-03	2	Rod strike
D99950-03	16	Rivet for guide
D99808-03	4	Screw for strike

K99032 - SET RODS 2000+2000		
Code	Quantity	Description
E99110-03	2	Rod 2000 mm
E99105-03	6	Rod guide
E99116-03	2	Rod strike
D99950-03	24	Rivet for guide
D99808-03	4	Screw for strike

fittings examples – see accessories chapter and Handles Catalogue for details

-12 Bright steel -29 Satin nickel SC Satin chrome -26 Satin stainless steel SN Satin nickel



H99025-12  
HANDLE  
OPEN OUT

H99001-29  
LEVER HANDLE  
NU COLLECTION

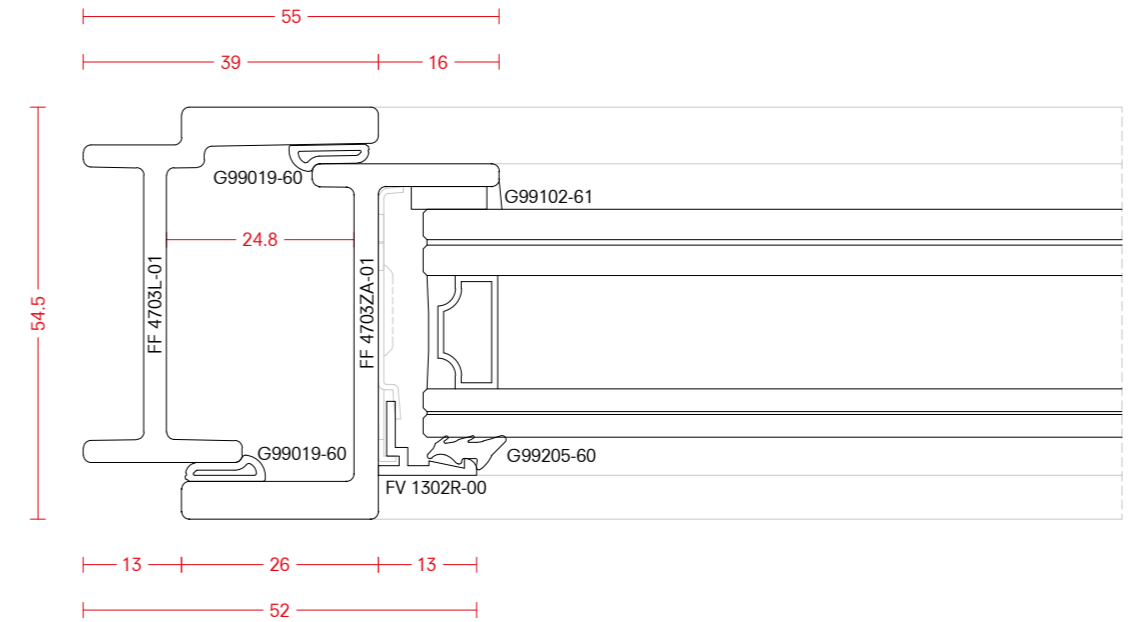
700205 SC  
CLASSIC HANDLE  
HERITAGE COLLECTION

750010 SN  
DOOR HANDLE  
TIMELESS COLLECTION

examples - open in

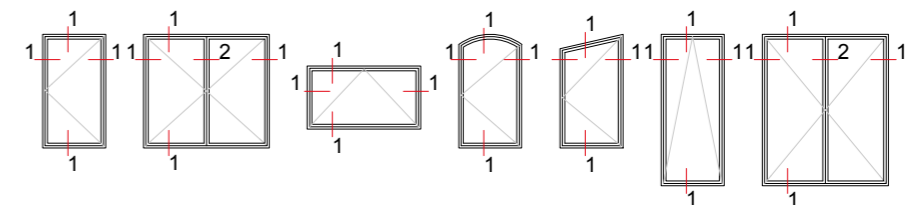
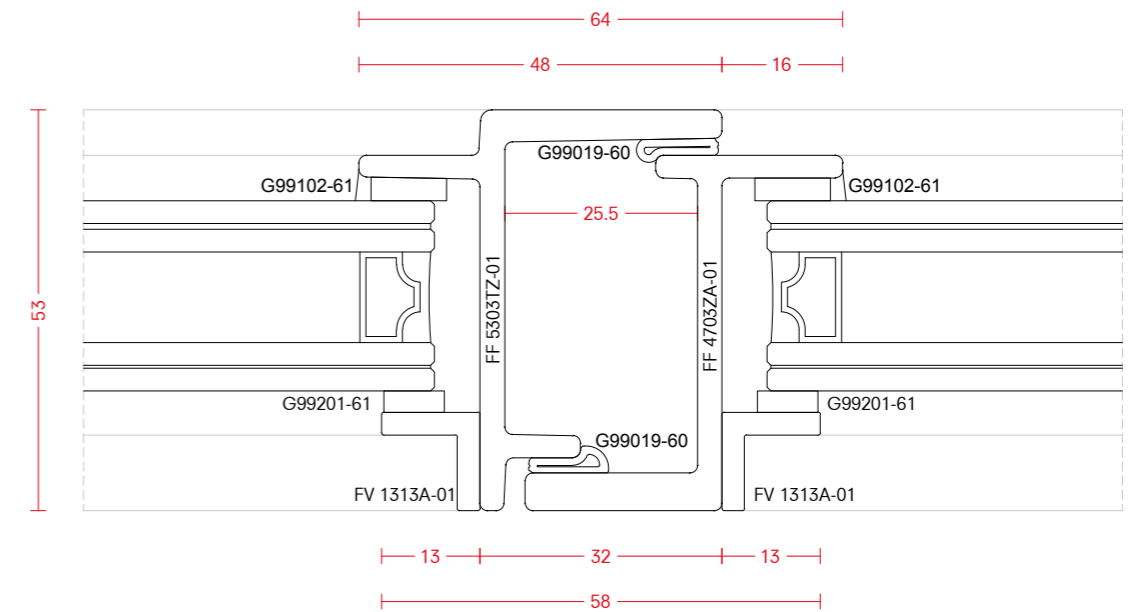
SECTION 1

EXTERNAL



SECTION 2

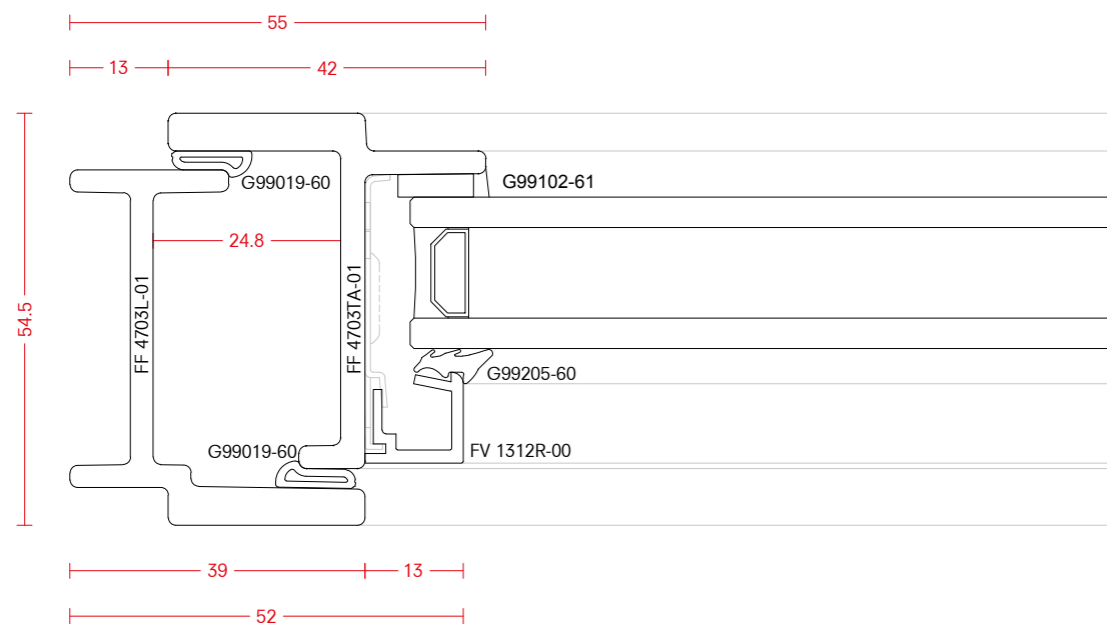
EXTERNAL



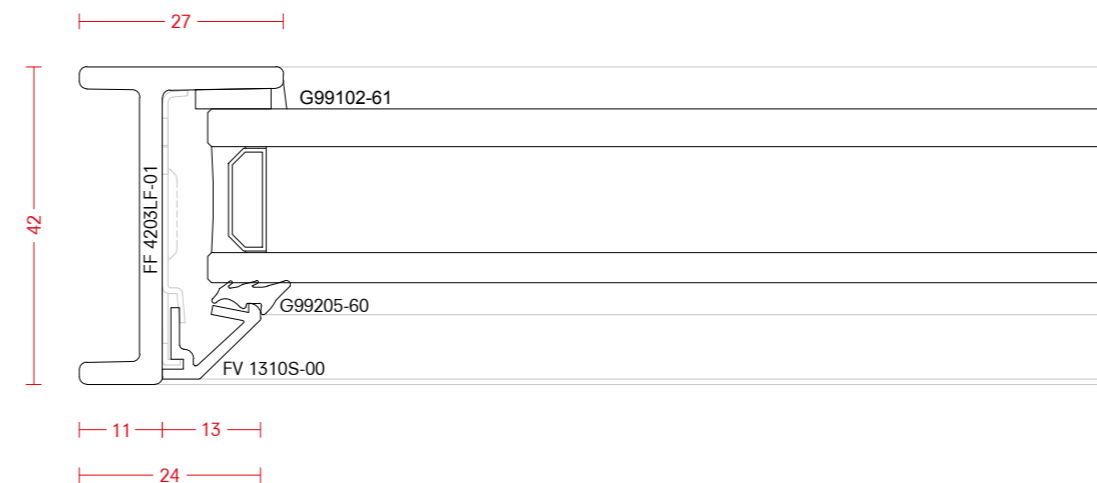
examples - open out

examples

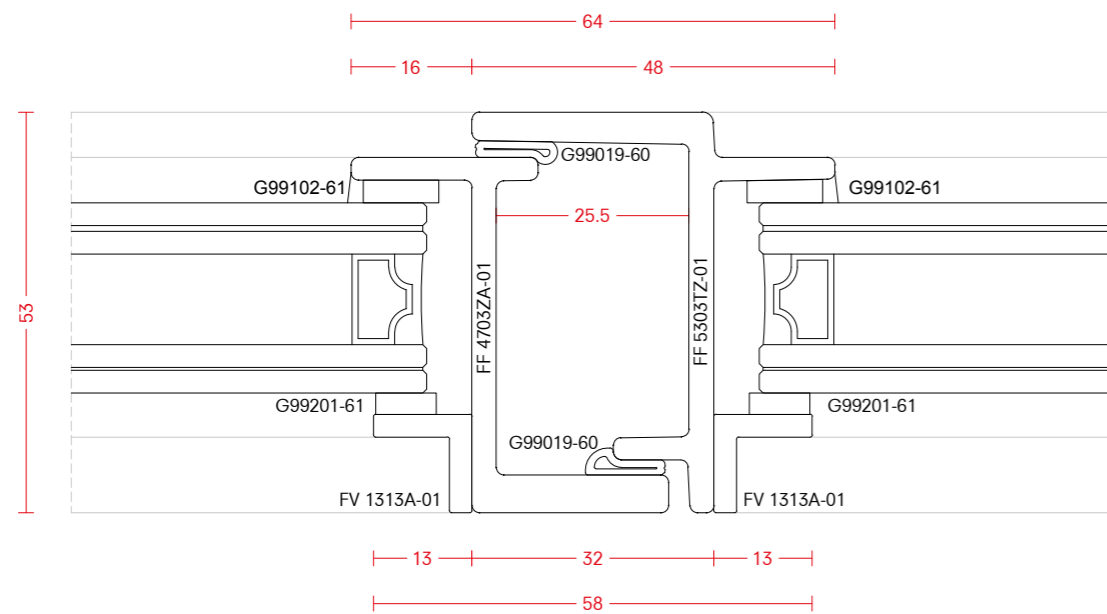
SECTION 3 EXTERNAL



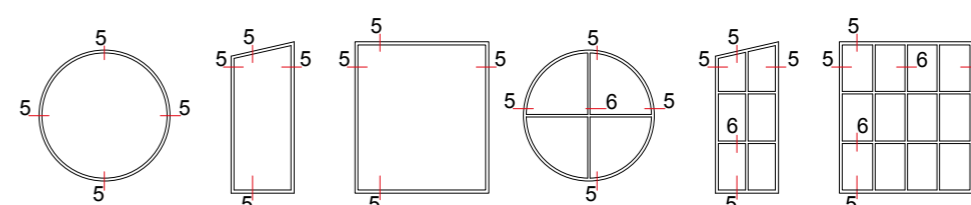
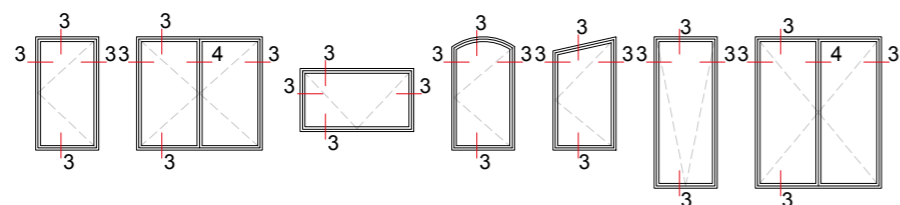
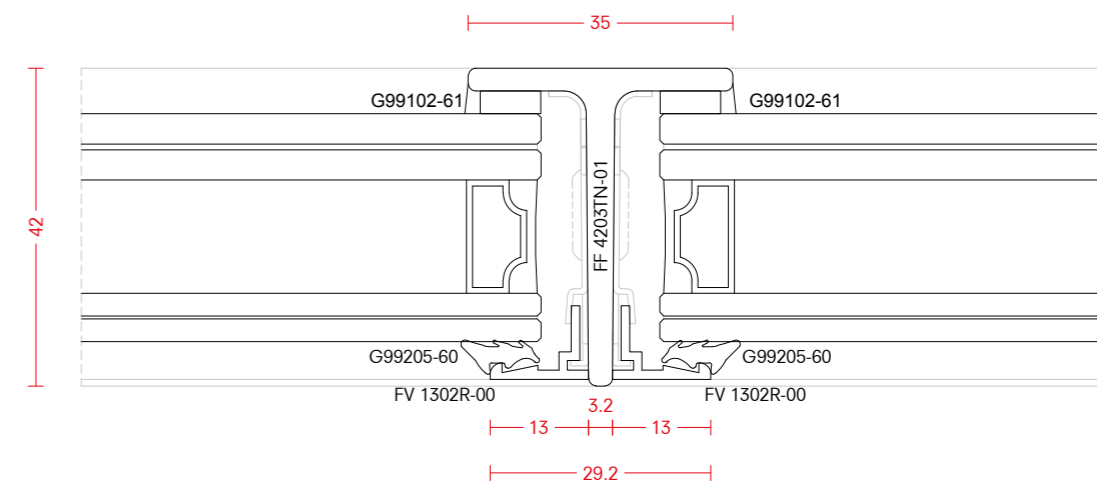
SECTION 5 EXTERNAL



SECTION 4 EXTERNAL



SECTION 6 EXTERNAL



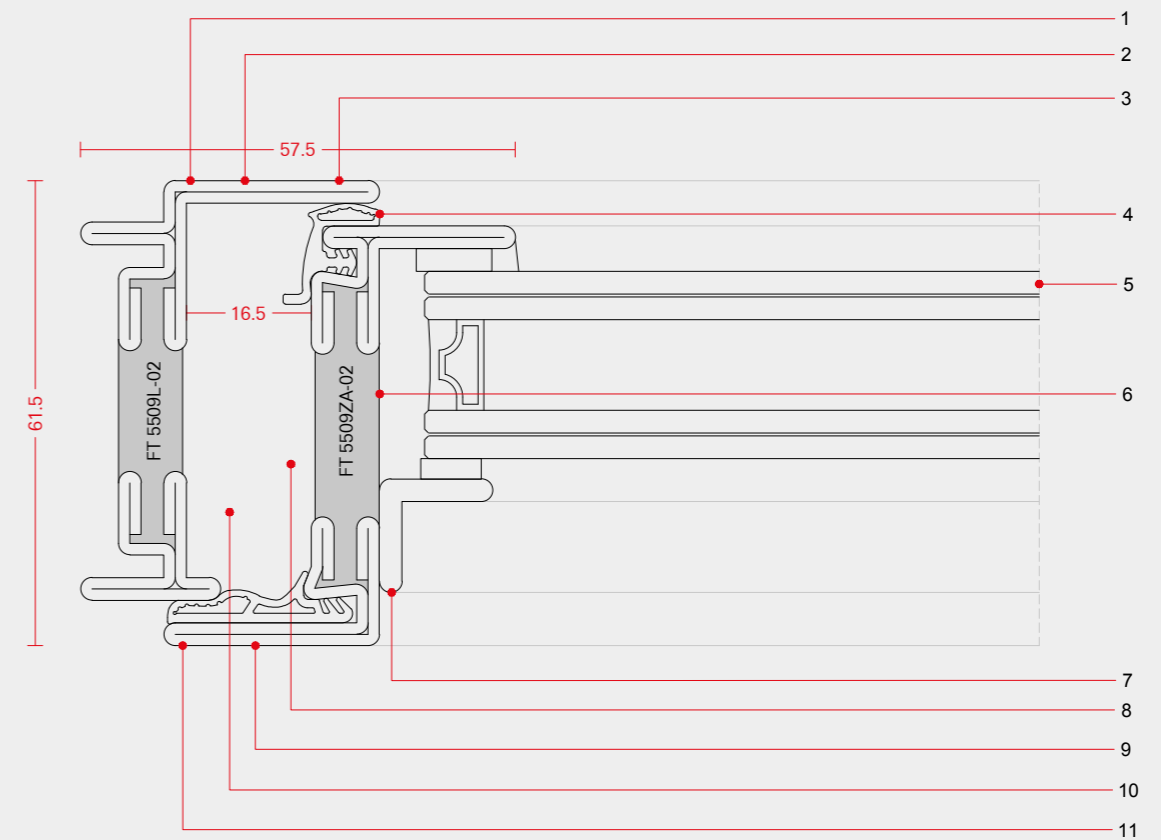
## FerroFinestra W50 TB

FerroFinestra W50 TB system maintains exactly the same shapes as the original hot-rolled FerroFinestra, in a thermal break solution. The innovative high-density polyurethane used for the thermal break, together with the possibility of installing high-performance insulating glass, makes it possible to fully respond to international regulations on energy efficiency in buildings. A wide range of specific accessories, multiple finishes, in many types of opening.



### MAIN FEATURES

1. galvanized steel 1,5 mm thick, cold formed in high precision production lines
2. profile sightlines and section design identical to the series FerroFinestra W40
3. both internal and external overlapping sightline
4. mechanically fixed rebate gaskets
5. profile depth compatible with insulating glass up to 38 mm
6. high density cast in polyurethane isolator
7. wide choice of different glazing beads
8. wide range of exclusive fittings, both contemporary and reproduced from original designs of the modern era
9. compatible with 16 mm friction hinges
10. side-hung, top-hung and bottom-hung windows, pivoting windows, sliding and folding doors
11. surface finishes in any customized or RAL colours, for a great planning freedom

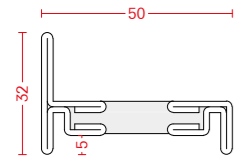


drawing scale 1:1

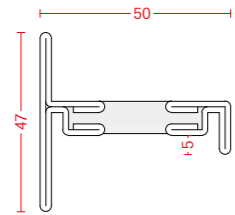
profile range – bar length 5800 mm

-00 Aluminum -02 Galvanized steel

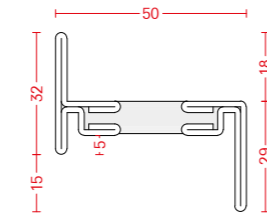
\*bar length 6000 mm



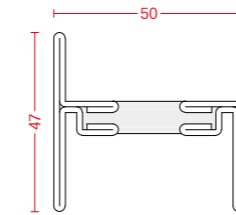
FT 5009LF-02



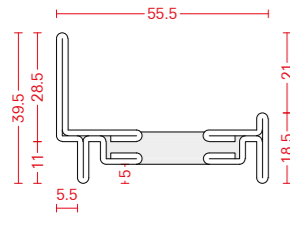
FT 5009TF-02



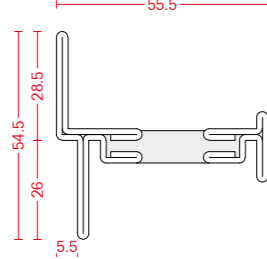
FT 5009ZF-02



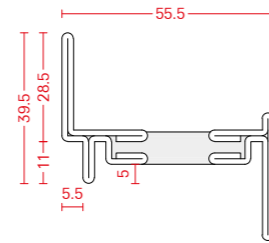
FT 5009HF-02



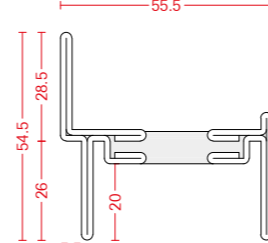
FT 5509L-02



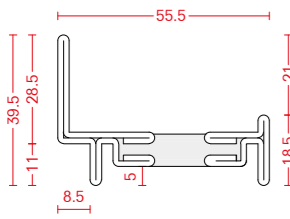
FT 5509T-02



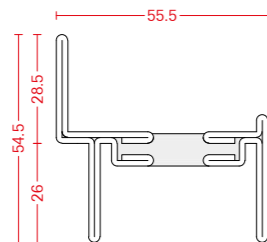
FT 5509Z-02



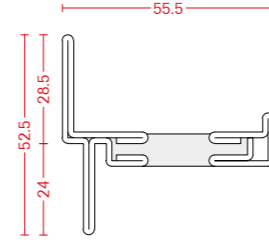
FT 5509H-02



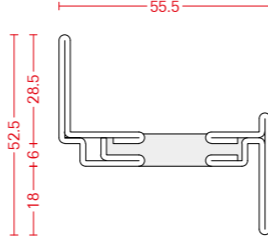
FT 5509LI-02\*



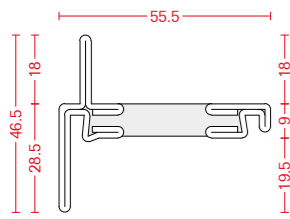
FT 5509HI-02\*



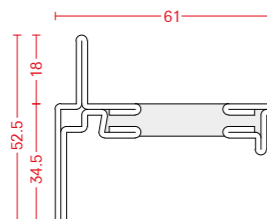
FT 5509TL-02



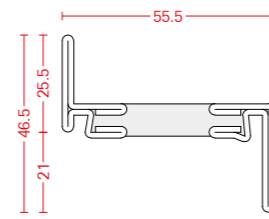
FT 5509ZL-02



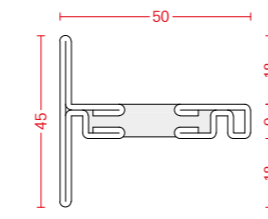
FT 5509TA-02



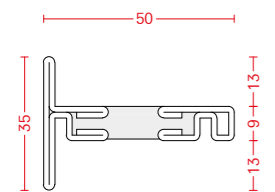
FT 6109TZ-02



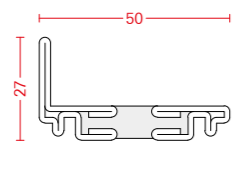
FT 5509ZA-02



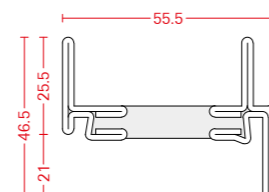
FT 5009TN-02



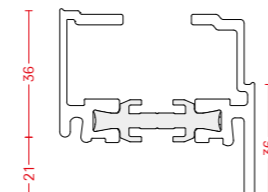
FT 5009TR-02



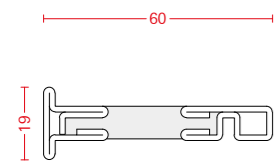
FT 5009LC-02



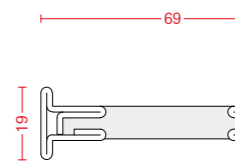
FT 5509HP-02



FT 5512RS-00



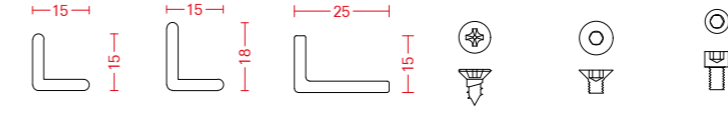
FT 6009SV-02



FT 6909SO-02

angular glazing beads – bar length 5800 mm

-01 Hot rolled steel -02 Galvanized steel -03 Stainless steel AISI 304 2B



FV 1515A-02 FV 1815A-02 FV 1525A-01 D99815-03 D99867-03 D99866-03

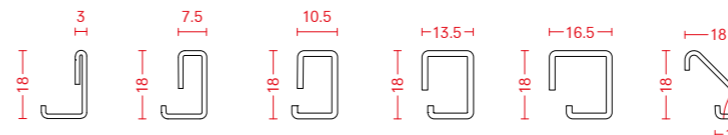


FV 1515D-02 FV 1815D-02 D99802-03 D99851-03 D99868-03

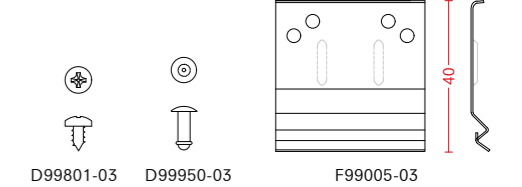
snap-on glazing beads – bar length 5800 mm

-02 Galvanized steel -03 Stainless steel AISI 304 2B

\*on request - minimum quantity required



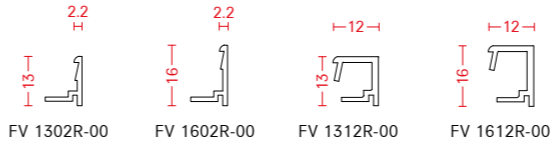
FV 1803R-02 FV 1807R-02 FV 1810R-02 FV 1813R-02 FV 1816R-02 FV 1818S-02\*



D99801-03 D99950-03 RIVET F99005-03

snap-on glazing beads – bar length 5800 mm

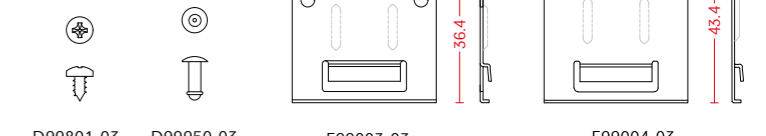
-00 Aluminum -03 Stainless steel AISI 304 2B



FV 1302R-00 FV 1602R-00 FV 1312R-00 FV 1612R-00



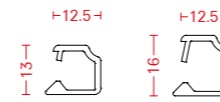
FV 1310S-00 FV 1312S-00 FV 1610S-00 FV 1612S-00



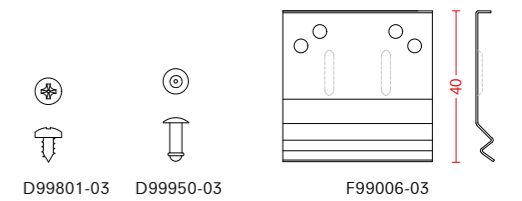
D99801-03 D99950-03 RIVET F99003-03 F99004-03

snap-on glazing beads – bar length 4000 mm

-00 Aluminum -03 Stainless steel AISI 304 2B



FV 1312B-00 FV 1612B-00

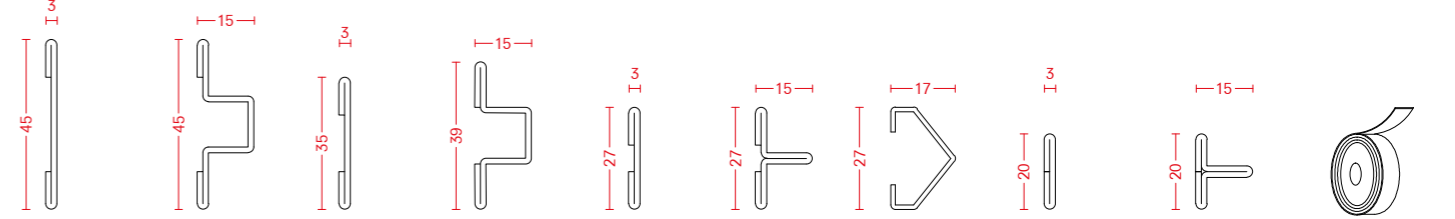


D99801-03 D99950-03 RIVET F99006-03

false muntins – bar length 3000 mm

-02 Galvanized steel -74 Double adhesive tape

\*on request - minimum quantity required



FT 4503IP-02 FT 4515IT-02\* FT 3503IP-02 FT 3915IT-02\* FT 2703IP-02 FT 2715IT-02 FT 2717IT-02\* FT 2003IP-02\* FT 2015IT-02\* G99301-74

INTERNAL AND EXTERNAL USE 8x1,5 mm

rebate gaskets

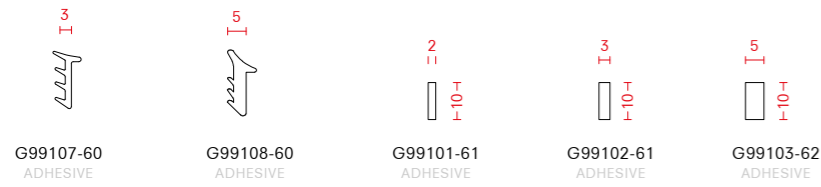
-60 Black EPDM -62 PVC -77 White EPDM



G04016-60 G04018-60 G99002-62 ADHESIVE

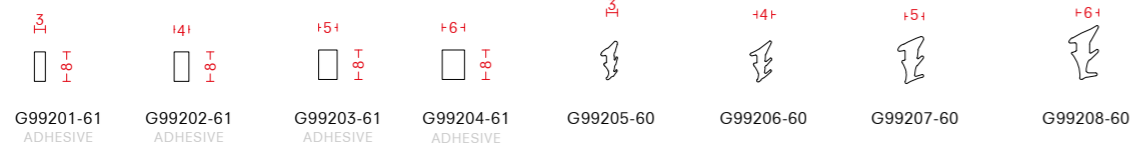
glass – external gaskets

-60 Black EPDM -61 Neoprene -62 PVC



glass – internal gaskets

-60 Black EPDM -61 Neoprene

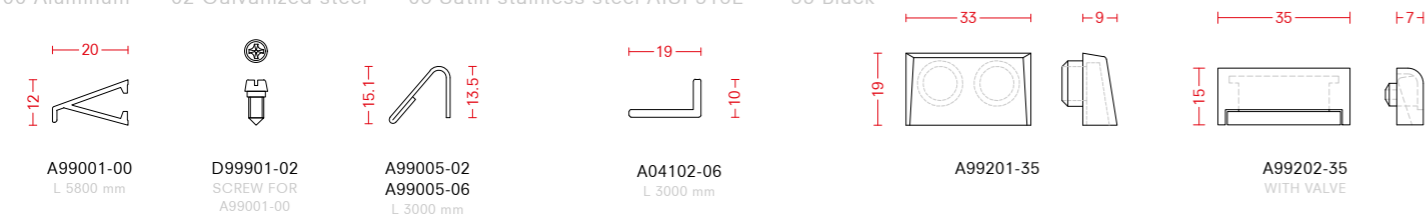


weather bars

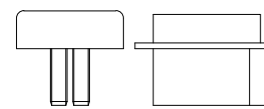
drainage profile

cover caps

-00 Aluminum -02 Galvanized steel -06 Satin stainless steel AISI 316L -35 Black



end pieces for second leaf



K04020 BLACK  
K04023 WHITE

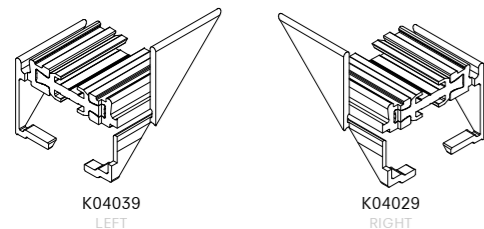
automatic drop seal

-35 Black -41 Grey RAL 7035 -62 PVC



G99511-35 BLACK  
G99511-41 GREY RAL 7035  
SIDEWARD COVER CAP FOR  
DROP-DOWN SEAL

end piece set extension profile door

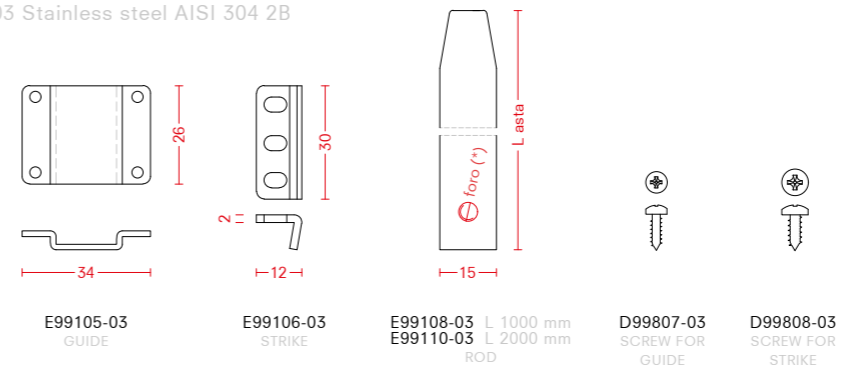


K04039  
LEFT

K04029  
RIGHT

rod

-03 Stainless steel AISI 304 2B



(\*) warning: customer must make the hole after cutting the rod to size

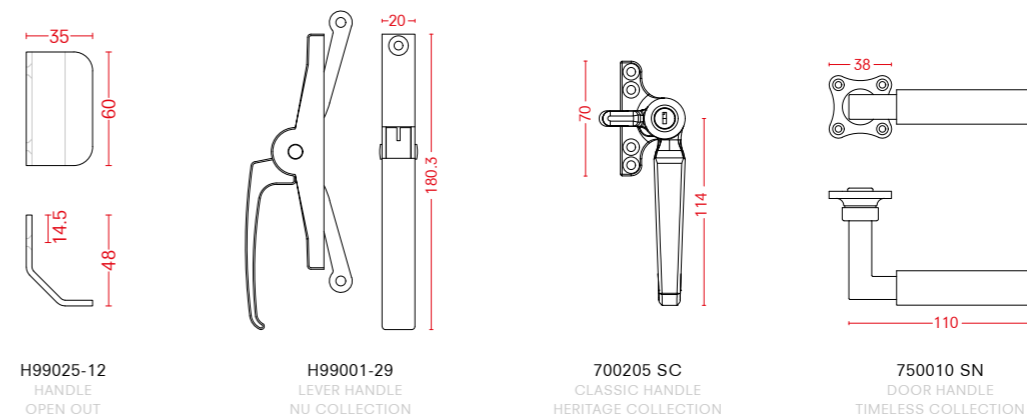
K04011 - SET - PUSH - RODS 1000+2000		
Code	Quantity	Description
E99108-03	1	Rod 1000 mm
E99110-03	1	Rod 2000 mm
E99105-03	5	Rod guide
E99106-03	2	Rod strike
D99807-03	20	Screw for guide
D99808-03	4	Screw for strike

K04010 - SET - PUSH - RODS 1000+1000		
Code	Quantity	Description
E99108-03	2	Rod 1000 mm
E99105-03	4	Rod guide
E99106-03	2	Rod strike
D99807-03	16	Screw for guide
D99808-03	4	Screw for strike

K04012 - SET - PUSH - RODS 2000+2000		
Code	Quantity	Description
E99110-03	2	Rod 2000 mm
E99105-03	6	Rod guide
E99106-03	2	Rod Strike
D99807-03	24	Screw for guide
D99808-03	4	Screw for strike

fittings examples – see accessories chapter and Handles Catalogue for details

-12 Bright steel -29 Satin nickel SC Satin chrome SN Satin nickel



H99025-12  
HANDLE  
OPEN OUT

H99001-29  
LEVER HANDLE  
NU COLLECTION

700205 SC  
CLASSIC HANDLE  
HERITAGE COLLECTION

750010 SN  
DOOR HANDLE  
TIMELESS COLLECTION



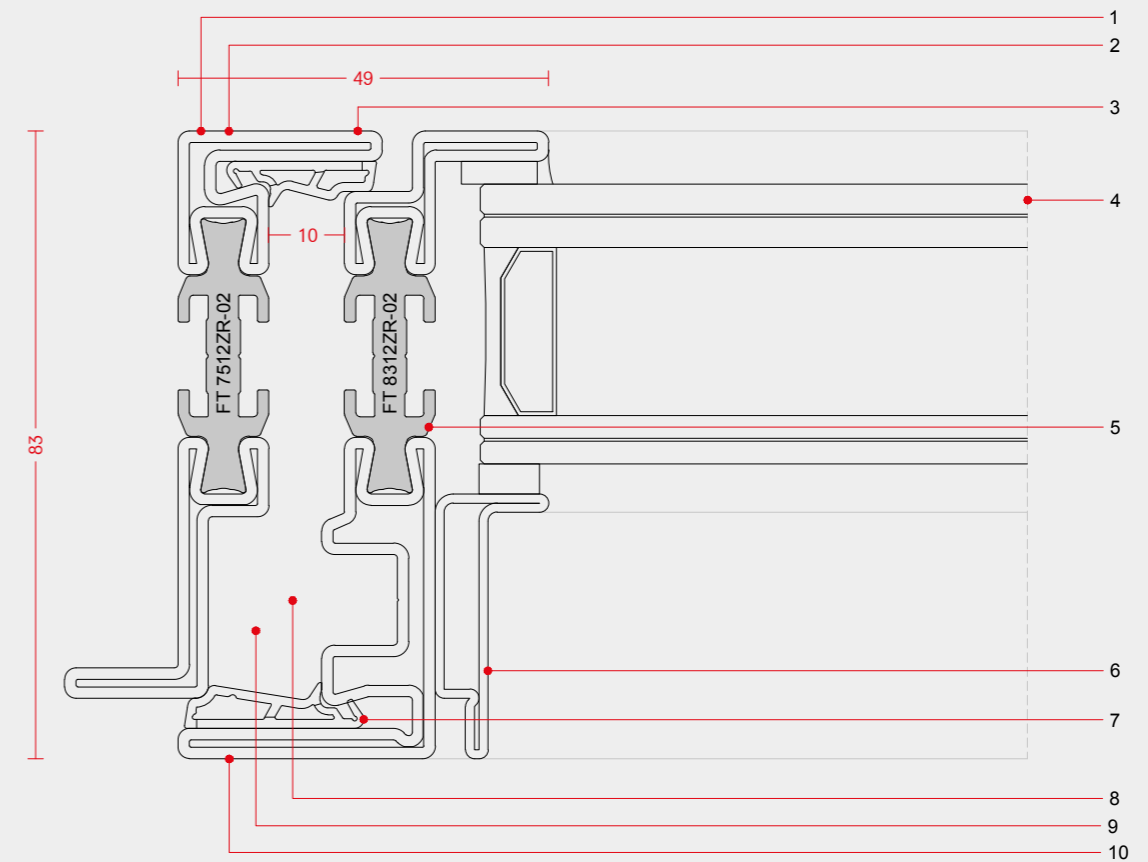
## FerroFinestra W75 TB Galvanized steel

The new FerroFinestra W75 TB system keeps the streamlined and clean design of the FerroFinestra family while offering superior thermal insulation. It features flush and overlapping aesthetics, an efficient polyamide insulating core, and a profile design that accommodates the latest selective insulating glass. The W75 TB system responds to the most demanding projects, for all types of windows and doors where the highest aesthetic and performance requirements are expected.



### MAIN FEATURES

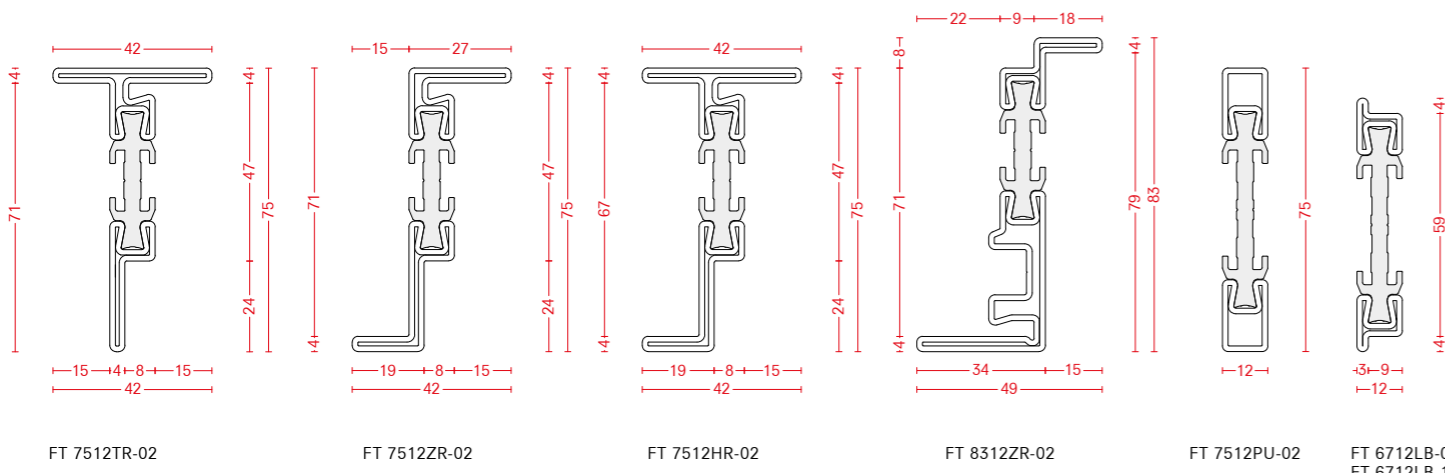
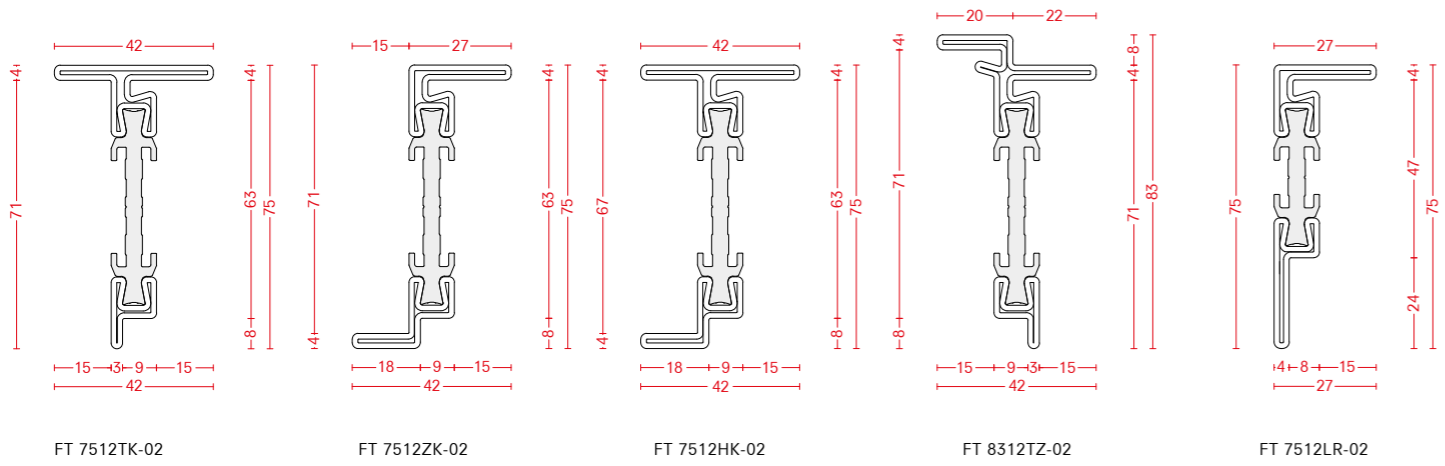
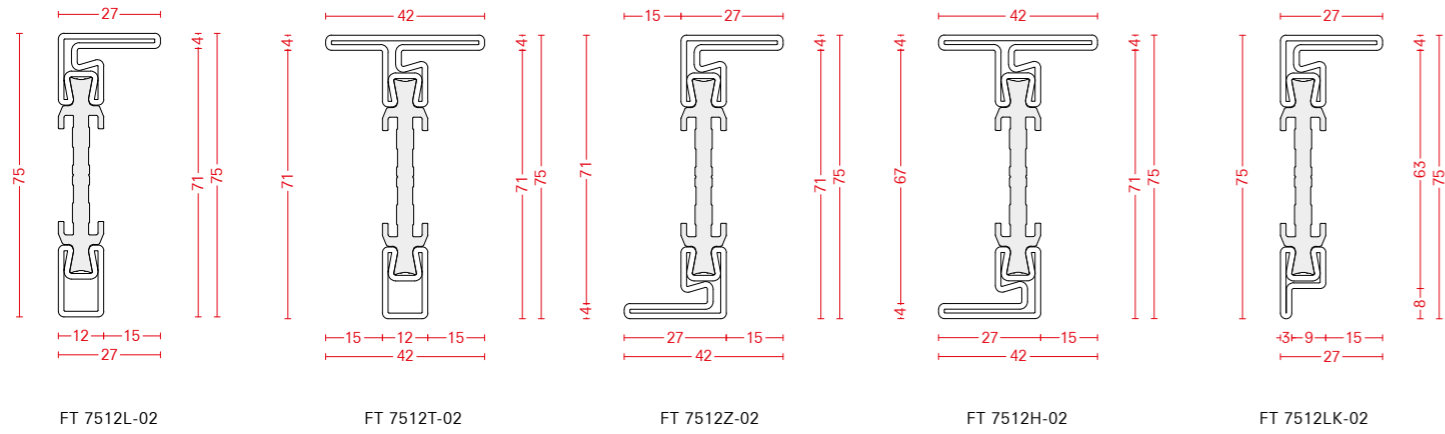
1. cold formed and sharp-edged 1,5 mm thick galvanized steel profiles - high precision production lines
2. continuously laser welded profile, high mechanical performance
3. can be both internally and externally flush or overlapping, or externally flush and internally overlapping
4. profile depth compatible with insulating glass up to 55 mm
5. fiberglass-reinforced polyamide insulator
6. wide choice of glazing beads, rectangular, triangular and double "L" shape
7. EPDM co-extruded sealing gaskets
8. wide choice of specific fittings, including both visible and concealed hinges
9. side-hung, top-hung and bottom-hung windows, tilt and turn, pivoting windows, sliding and folding doors
10. surface finishes in any customized or RAL colours, for a great planning freedom



drawing scale 1:1

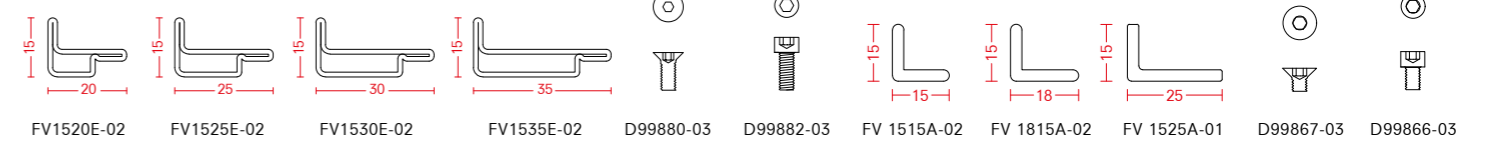
profile range – bar length 5800 mm

-02 Galvanized steel -05 Stainless steel AISI 316L 2B -12 Bright steel



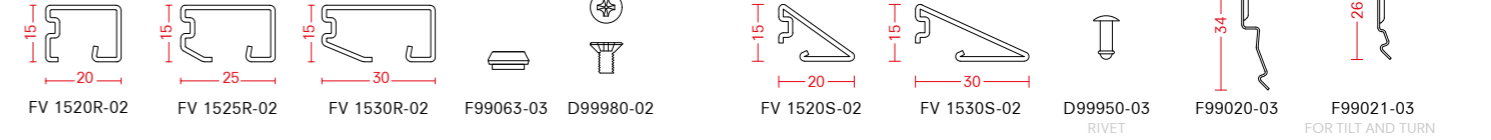
angular glazing beads – bar length 5800 mm

-01 Hot rolled steel -02 Galvanized steel -03 Stainless steel AISI 304 2B



snap-on glazing beads – bar length 5800 mm

-02 Galvanized steel -03 Stainless steel AISI 304 2B



snap-on glazing beads – bar length 5800 mm

-00 Aluminum -02 Galvanized steel -03 Stainless steel AISI 304 2B



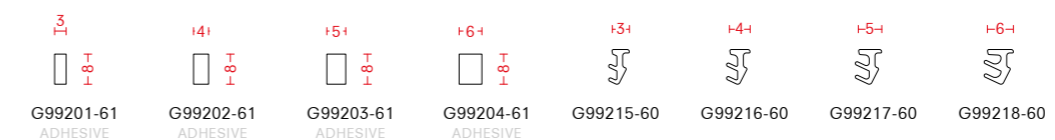
rebate gaskets

-60 Black EPDM -61 Neoprene -62 PVC -77 White EPDM

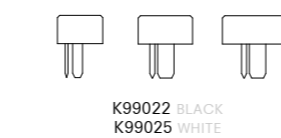


glass – internal gaskets

-60 Black EPDM -61 Neoprene

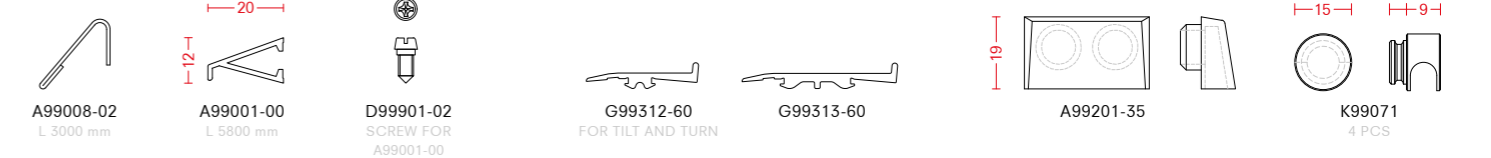


end pieces for second leaf



weather bars

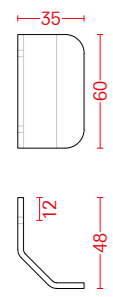
-00 Aluminum -02 Galvanized steel -35 Black -60 Black EPDM



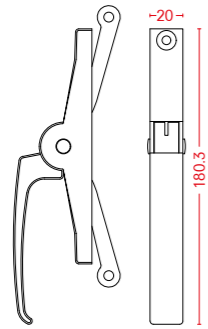


fittings examples – see accessories chapter and Handles Catalogue for details

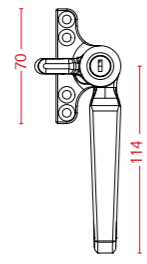
-12 Bright steel -29 Satin nickel SC Satin chrome SN Satin nickel



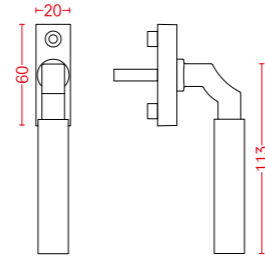
H99020-12  
HANDLE  
OPEN OUT



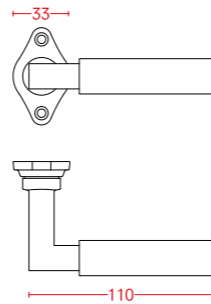
H99001-29  
LEVER HANDLE  
NU COLLECTION



700205 SC  
CLASSIC HANDLE  
HERITAGE COLLECTION

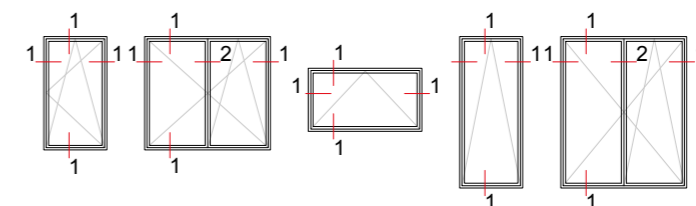
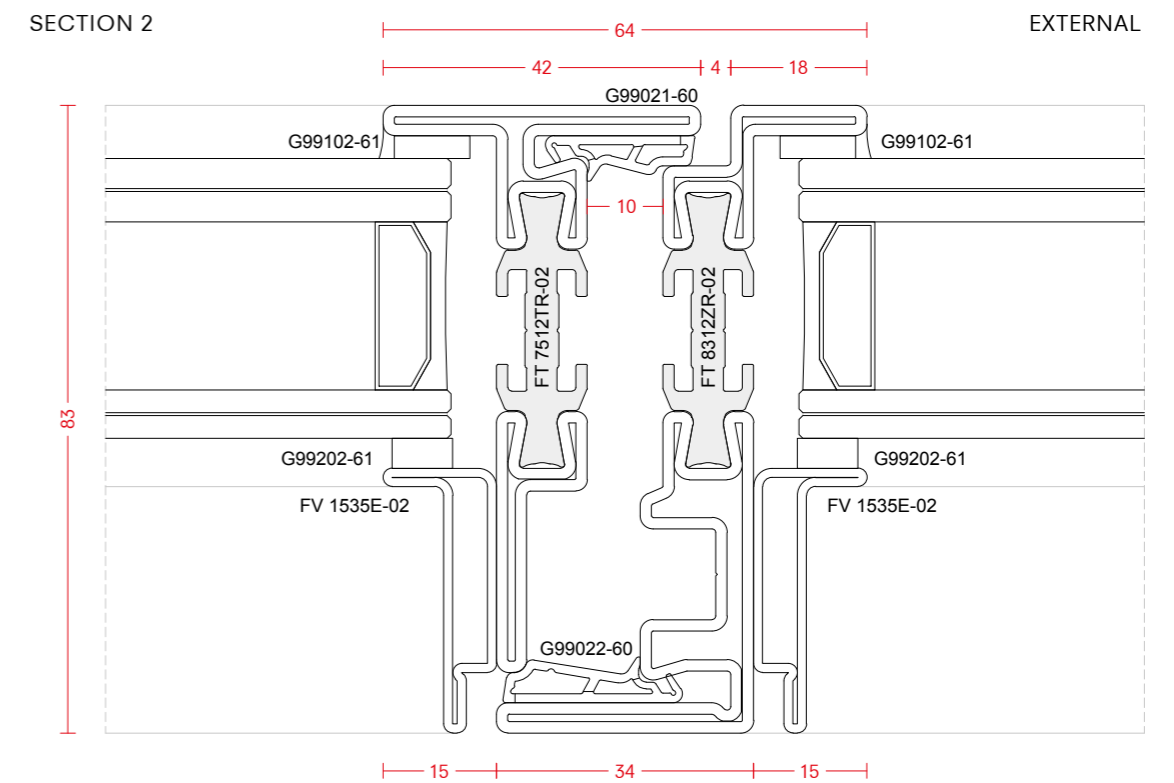
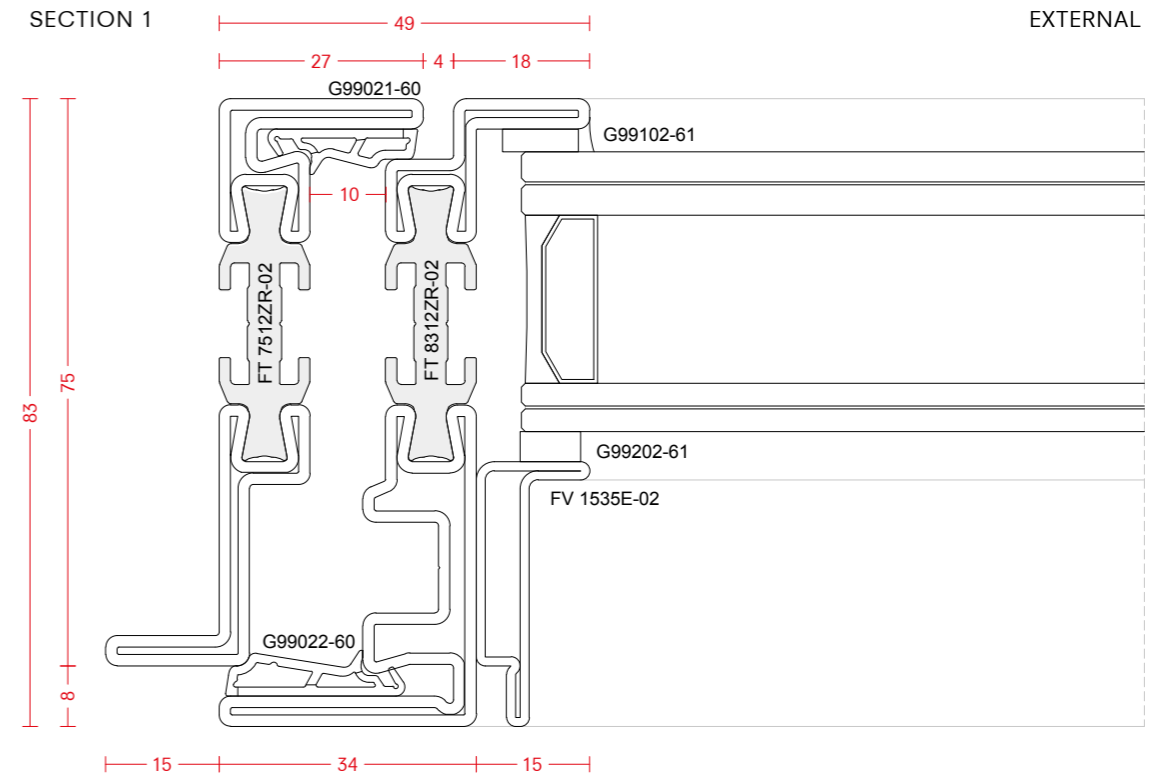


780010 SN  
TILT AND TURN HANDLE  
TIMELESS COLLECTION



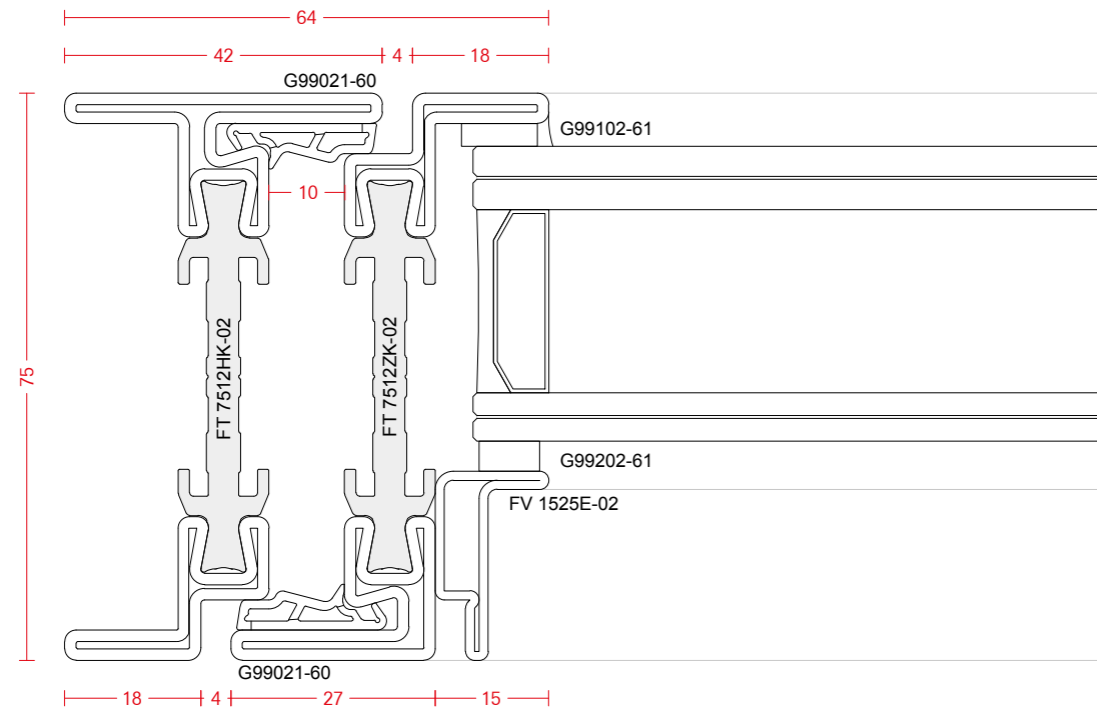
750030 SN  
DOOR HANDLE  
TIMELESS COLLECTION

examples - open in

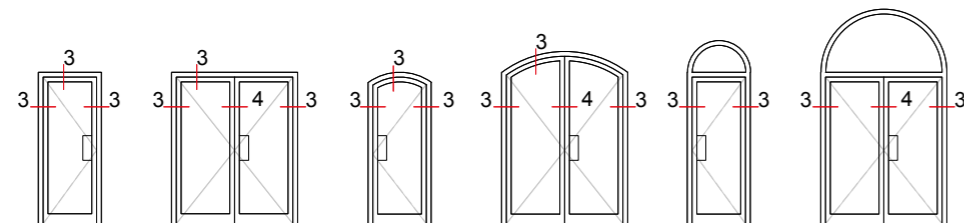
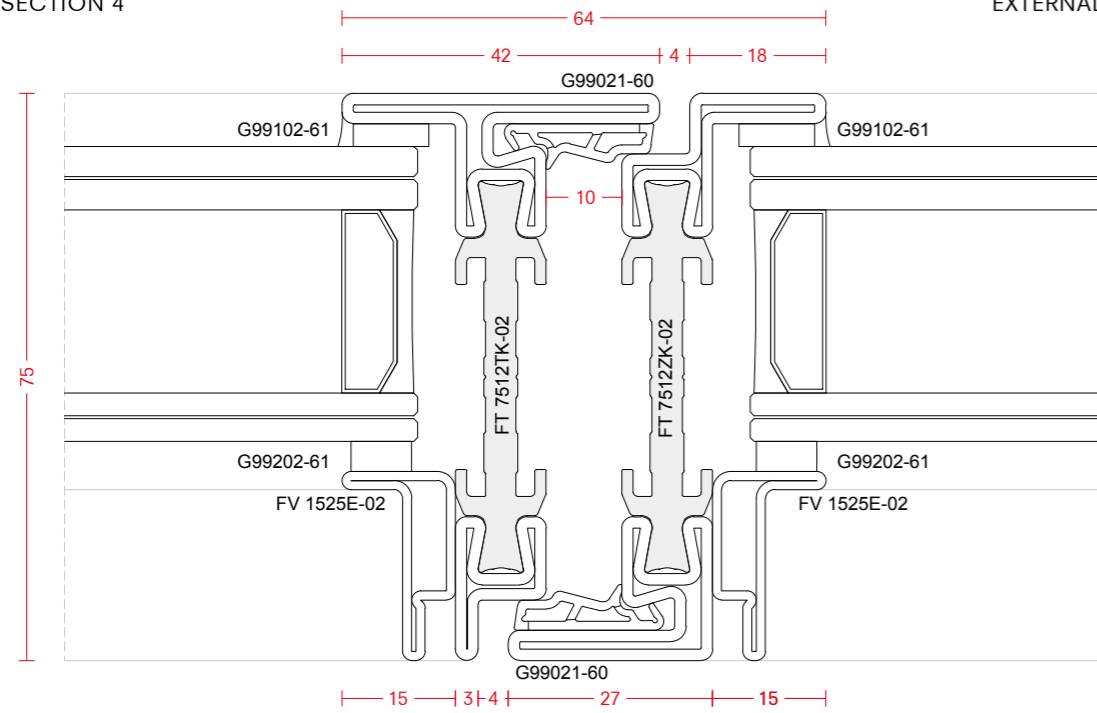


examples - open in

SECTION 3 EXTERNAL

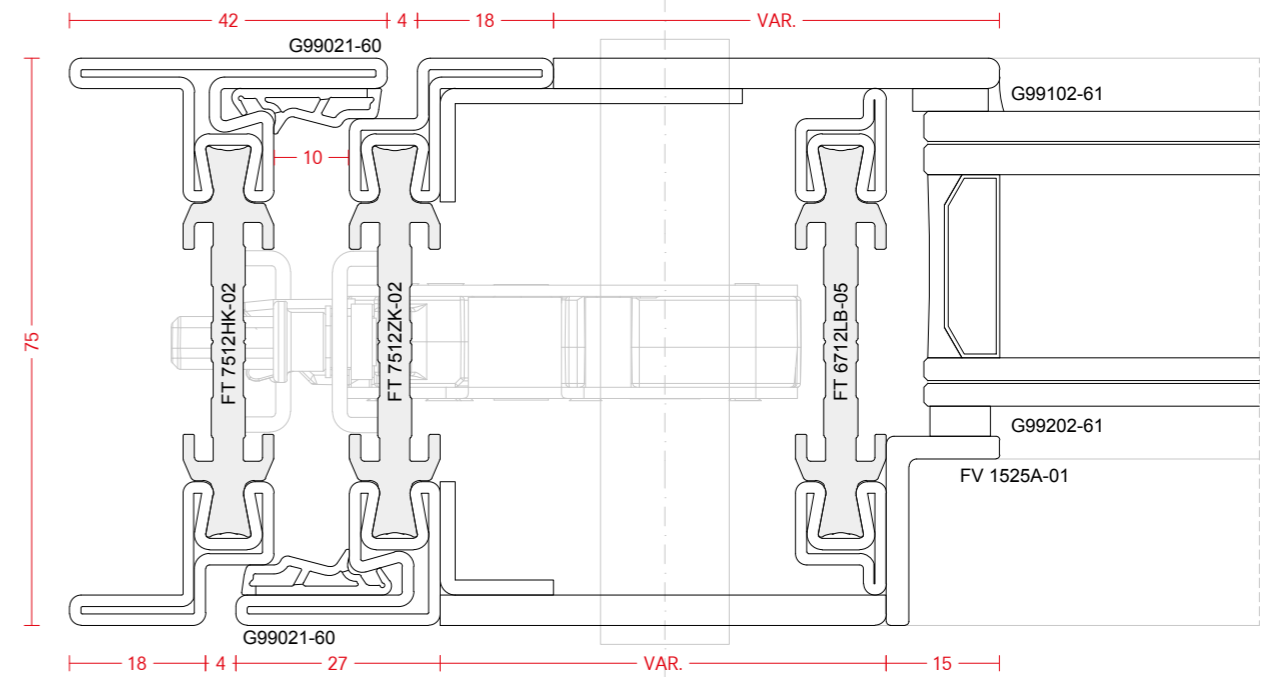


SECTION 4 EXTERNAL

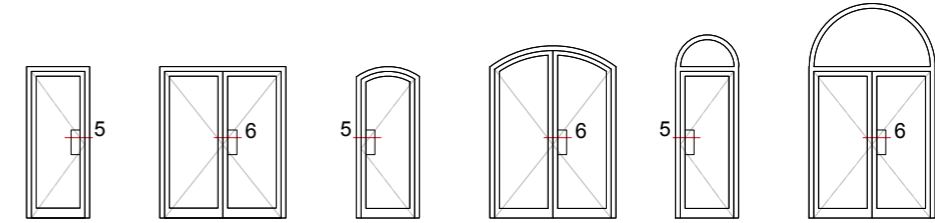
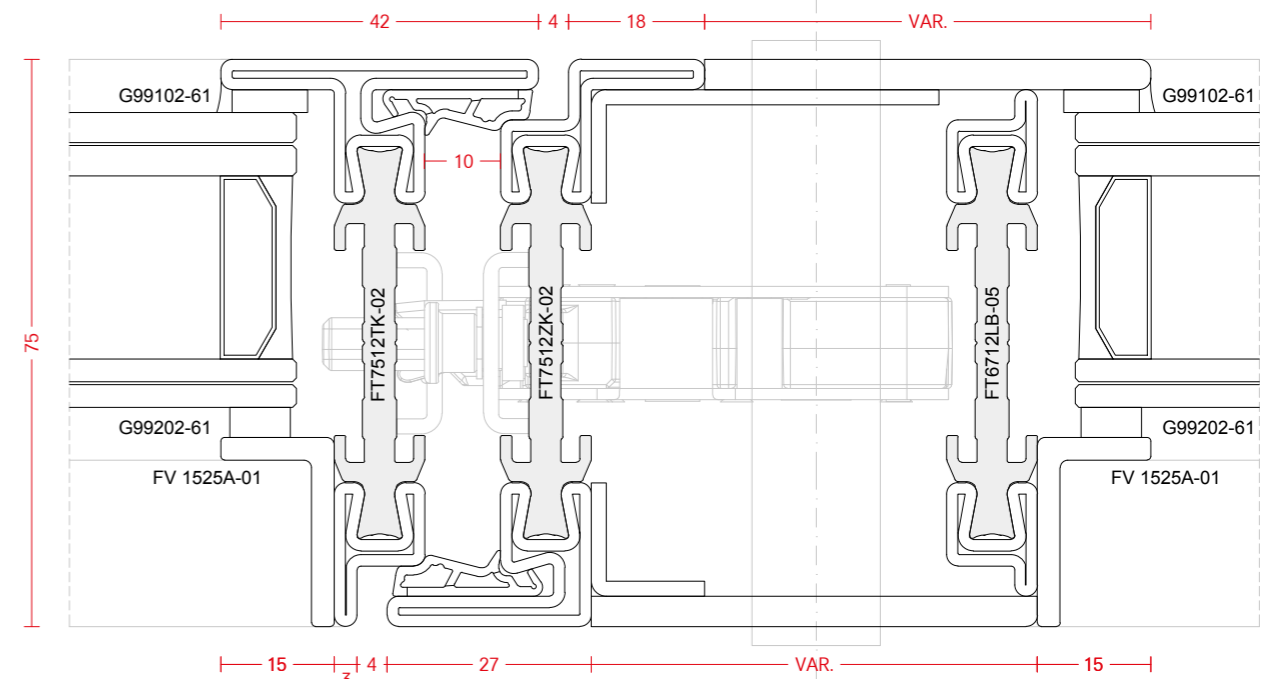


examples - open in locking box

SECTION 5 EXTERNAL



SECTION 6 EXTERNAL





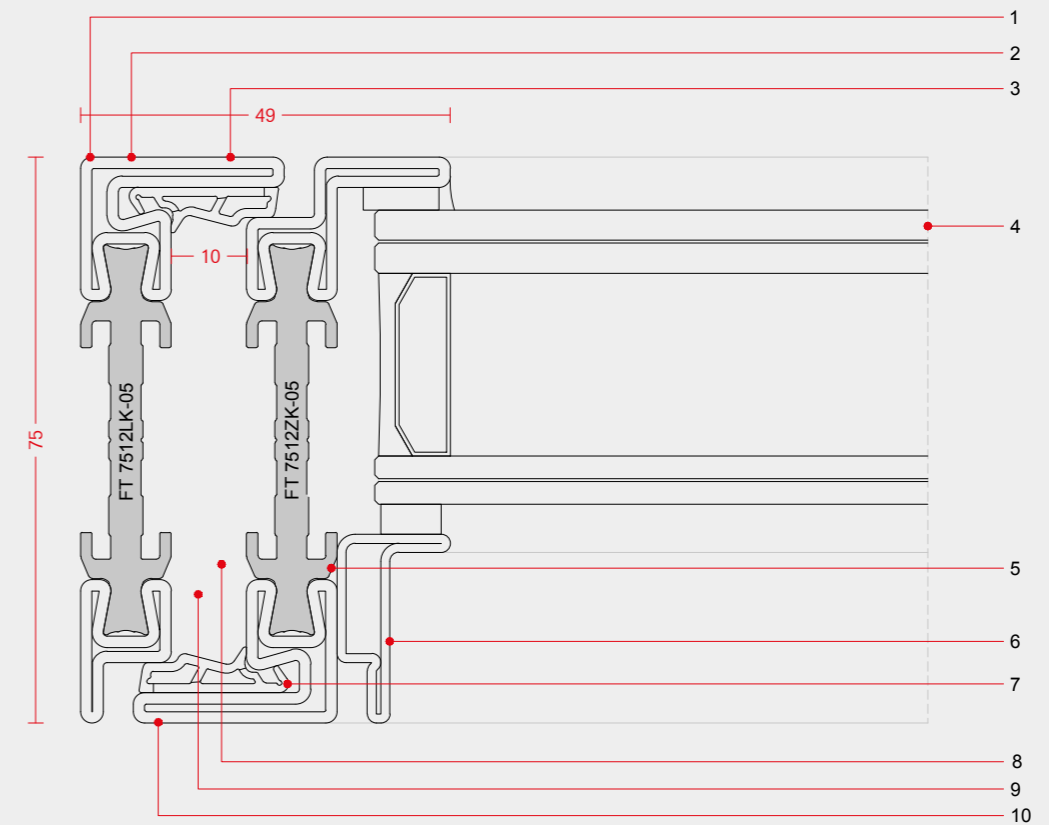
## FerroFinestra W75 TB Stainless steel

The W75 TB stainless steel system represents the ultimate in corrosion resistance and energy efficiency. The depth of the profile from 75 mm to 83 mm accommodates high performance insulating glass up to 52 mm, while the glass fibre reinforced polyamide insulator provides excellent thermal values. The visible section is extremely reduced, making it suitable for doors, windows and all other types of opening with a minimalist design.



### MAIN FEATURES

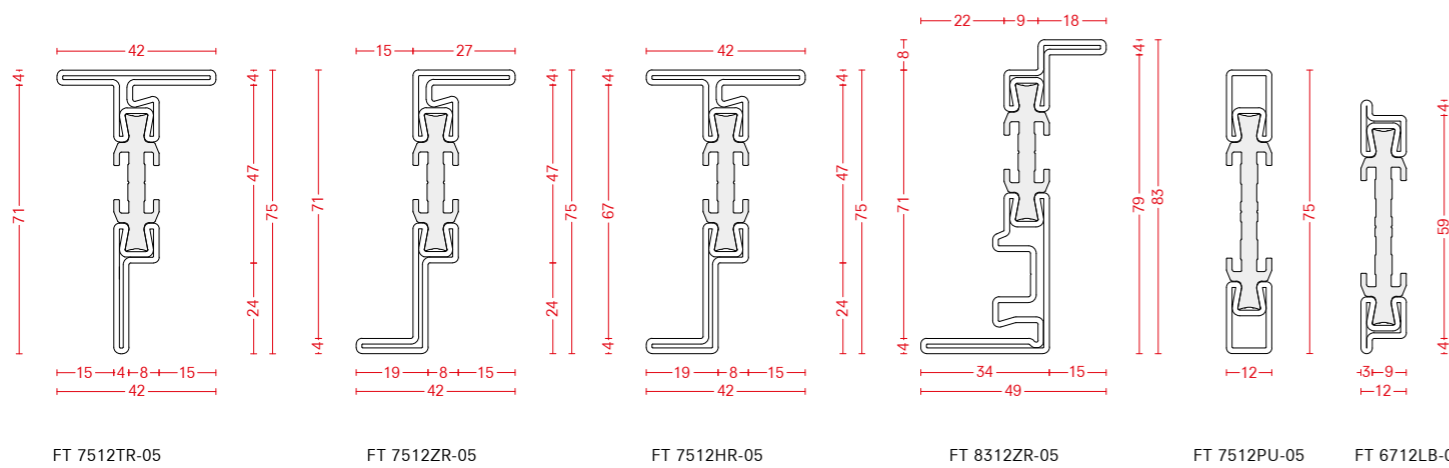
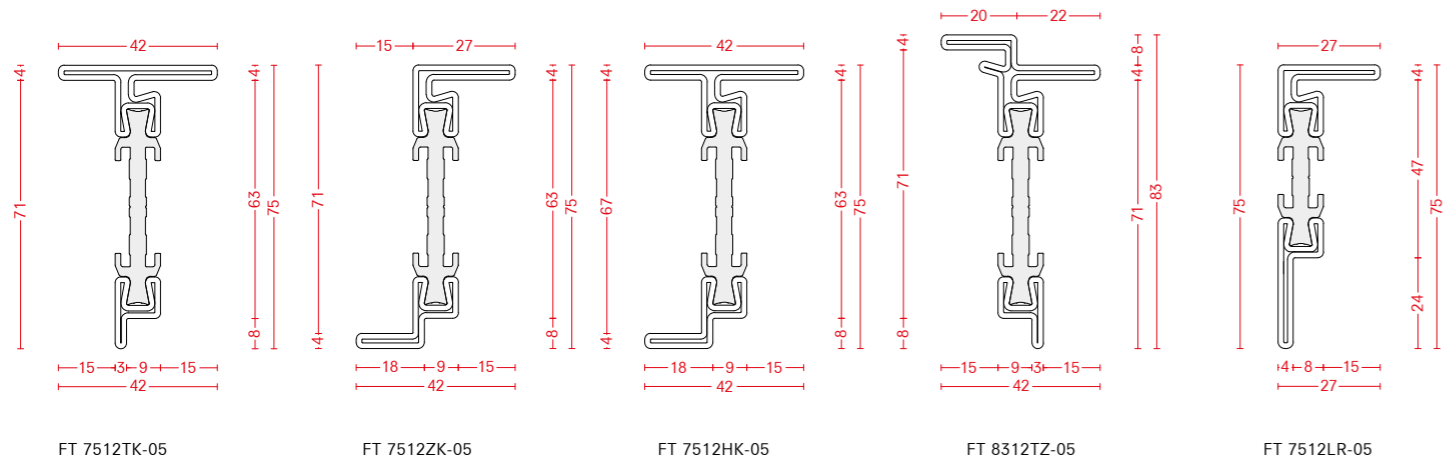
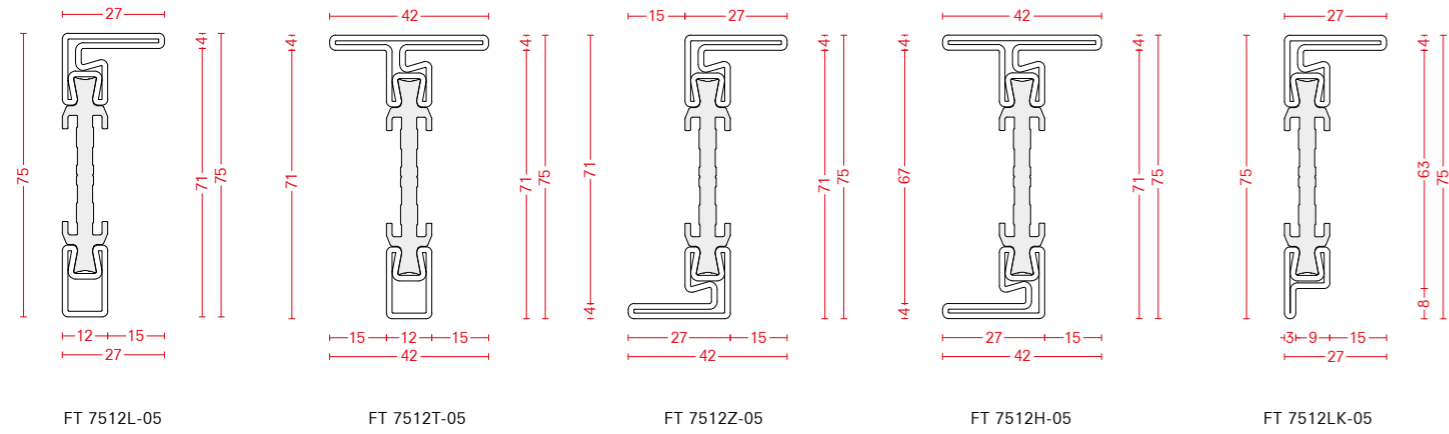
1. cold formed and sharp-edged 1,5 mm thick galvanized steel profiles - high precision production lines
2. continuously laser welded profile, high mechanical performance
3. can be both internally and externally flush or overlapping, or externally flush and internally overlapping
4. profile depth compatible with insulating glass up to 55 mm
5. fiberglass-reinforced polyamide insulator
6. wide choice of glazing beads, rectangular, triangular and double "L" shape
7. EPDM co-extruded sealing gaskets
8. wide range of exclusive fittings, including visible and concealed hinges
9. side-hung, top-hung and bottom-hung windows, tilt and turn, pivoting windows, sliding and folding doors
10. surface finishes: satinizing, polishing or bur-nishing; coating in any RAL or customized colours, for great planning freedom



drawing scale 1:1

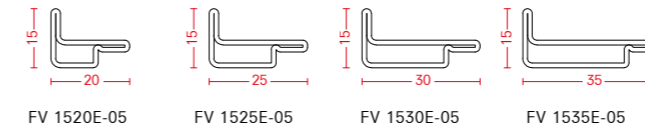
profile range – bar length 5800 mm

-05 Stainless steel AISI 316L 2B

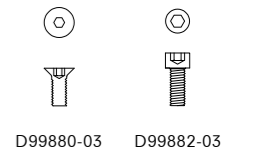


angular glazing beads – bar length 5800 mm

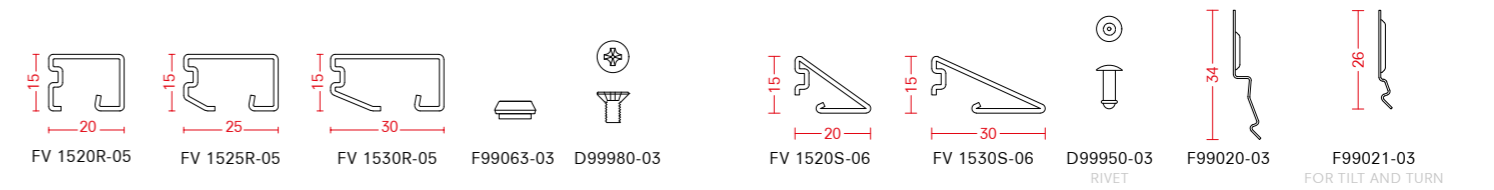
-03 Stainless steel AISI 304 2B -05 Stainless steel AISI 316L 2B



fixing screws



snap-on glazing beads – bar length 5800 mm

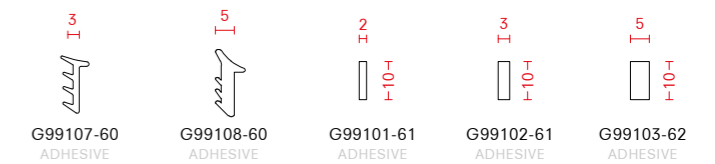


clips

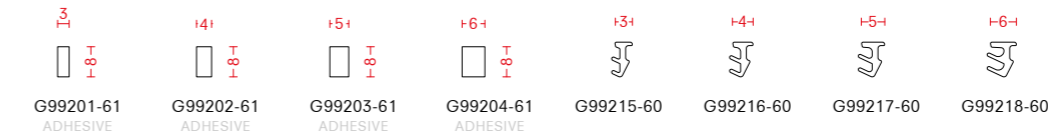
rebate gaskets



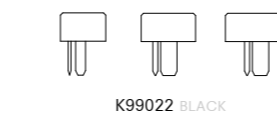
glass – external gaskets



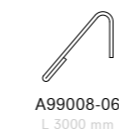
glass – internal gaskets



end pieces for second leaf



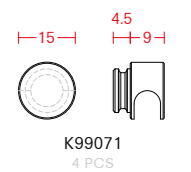
weather bars



drainage profile

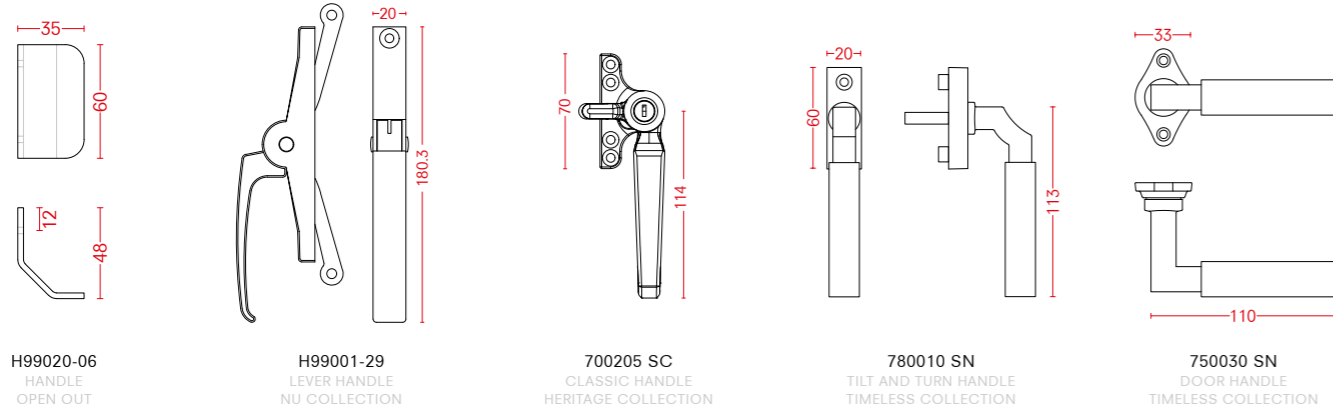


cover caps

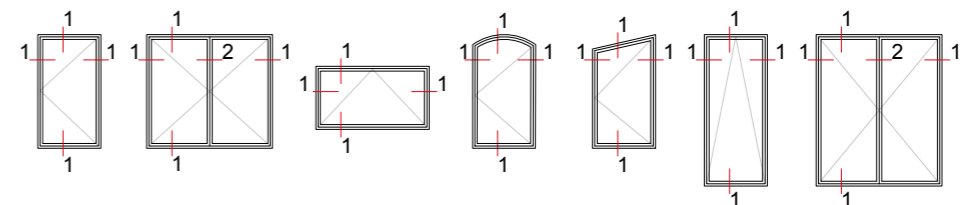
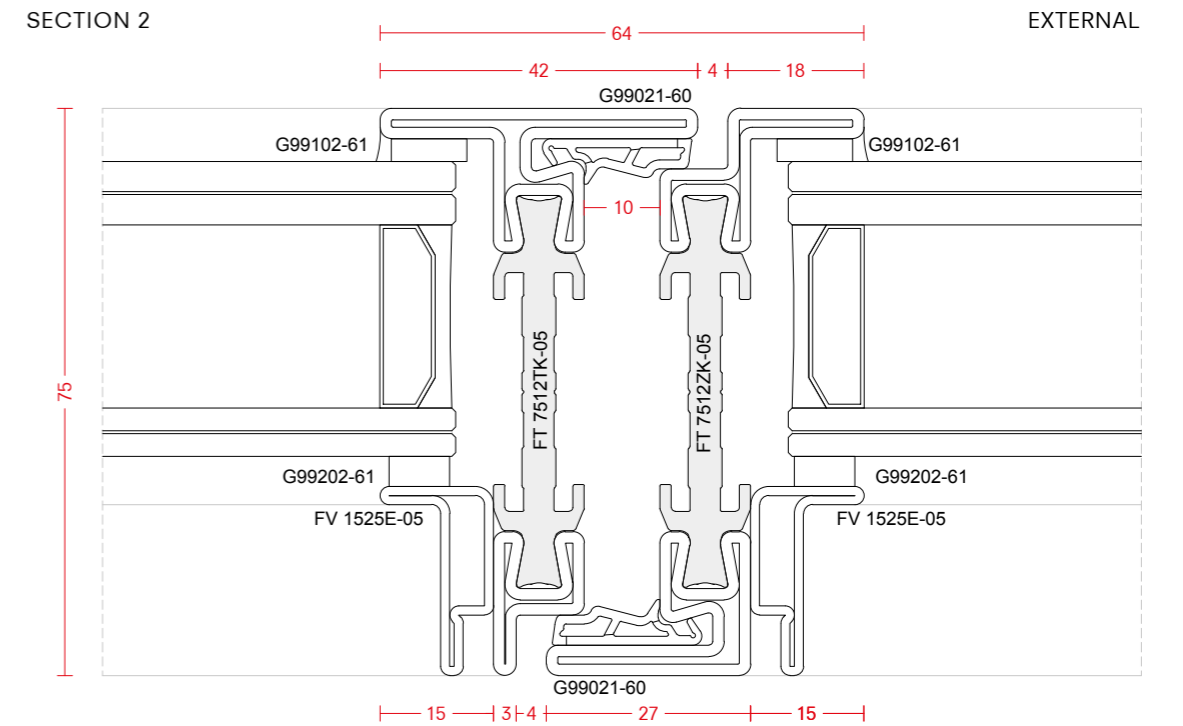
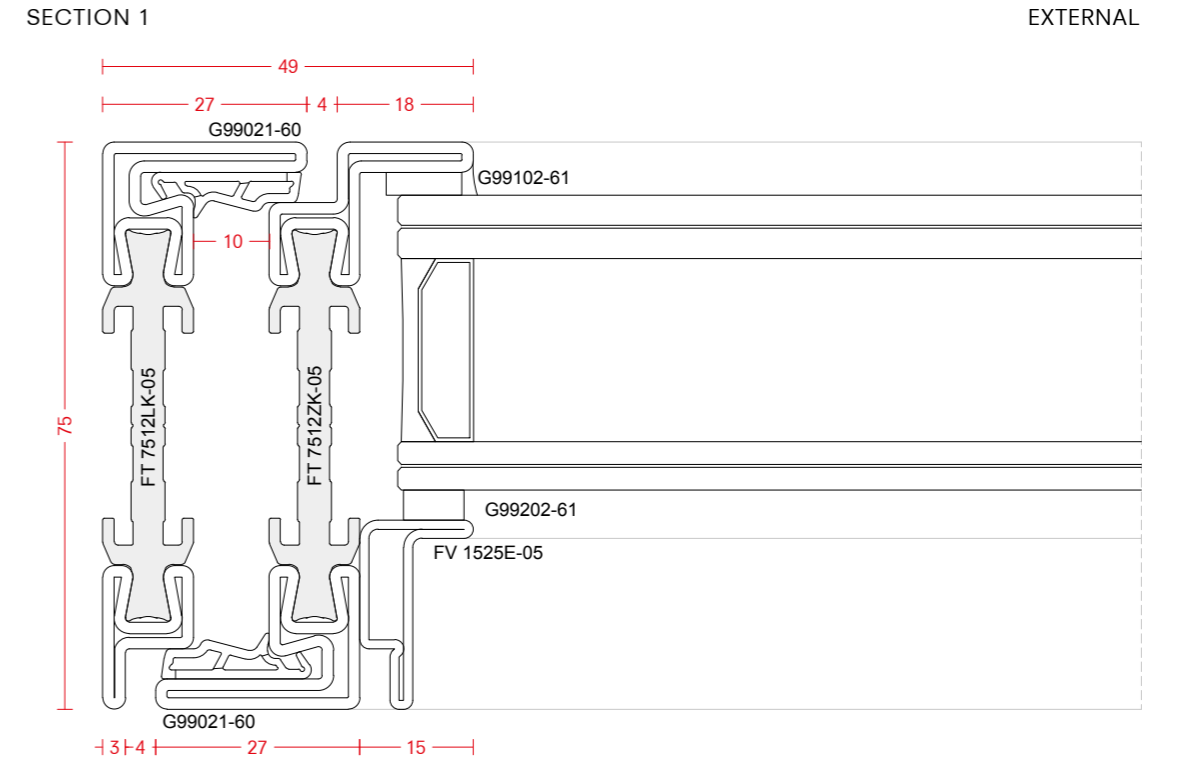


fittings examples – see accessories chapter and Handles Catalogue for details

-06 Satin stainless steel AISI 316L -29 Satin nickel SC Satin chrome SN Satin nickel



examples - open in





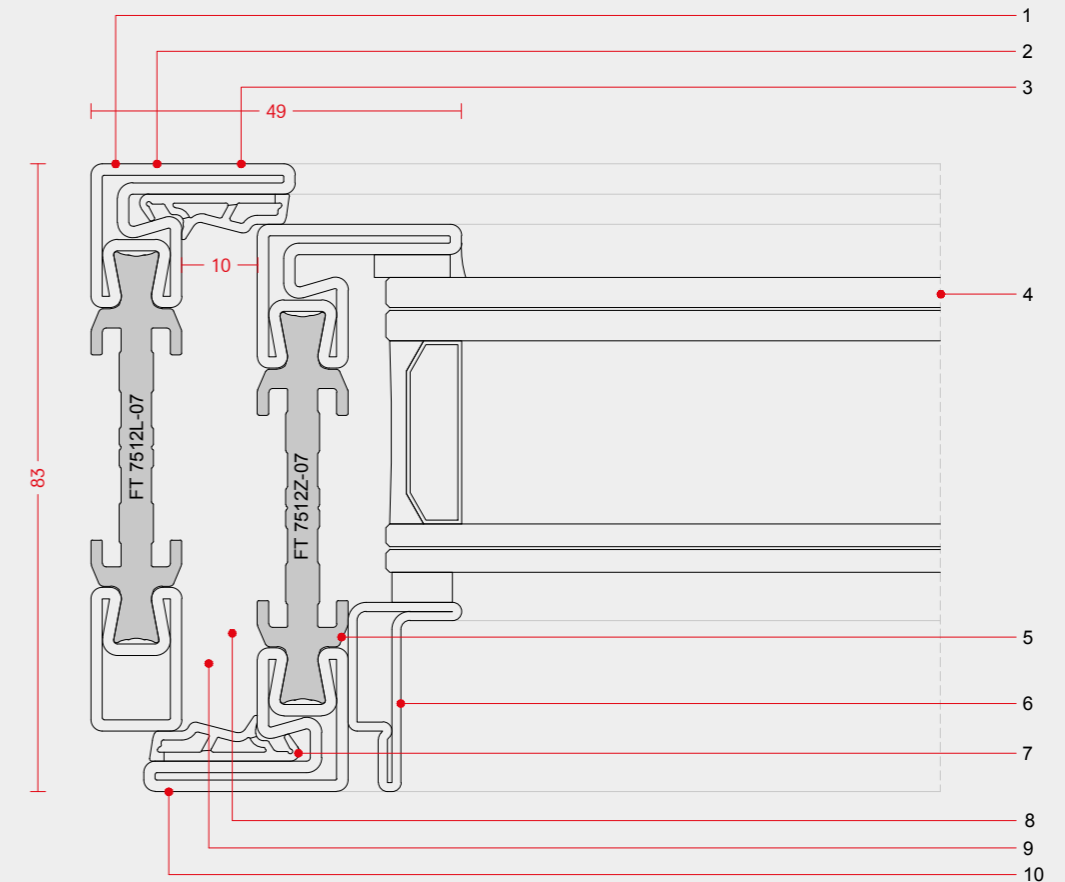
## FerroFinestra W75 TB Cor-Ten steel

FerroFinestra W75 TB Cor-Ten steel combines the superior performance of the W75 TB system with the charm of a natural material, ideal for both renovation works and new buildings. Maintaining the essential and clean design of the FerroFinestra family, W75 TB Cor-Ten steel allows for the housing of energy-efficient insulating glass. It enables the construction of any type of opening.



### MAIN FEATURES

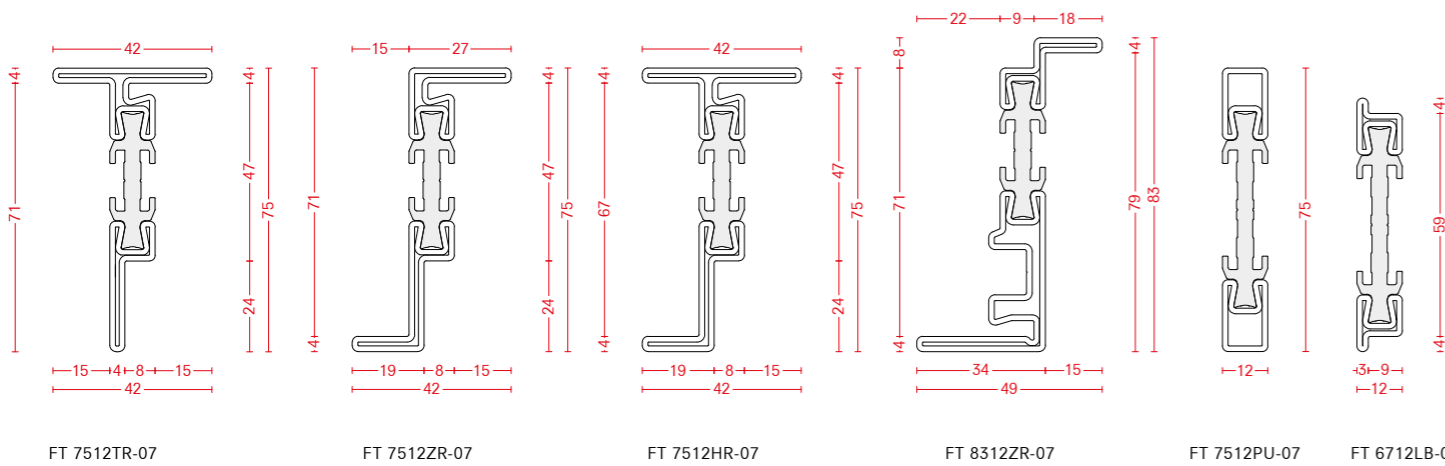
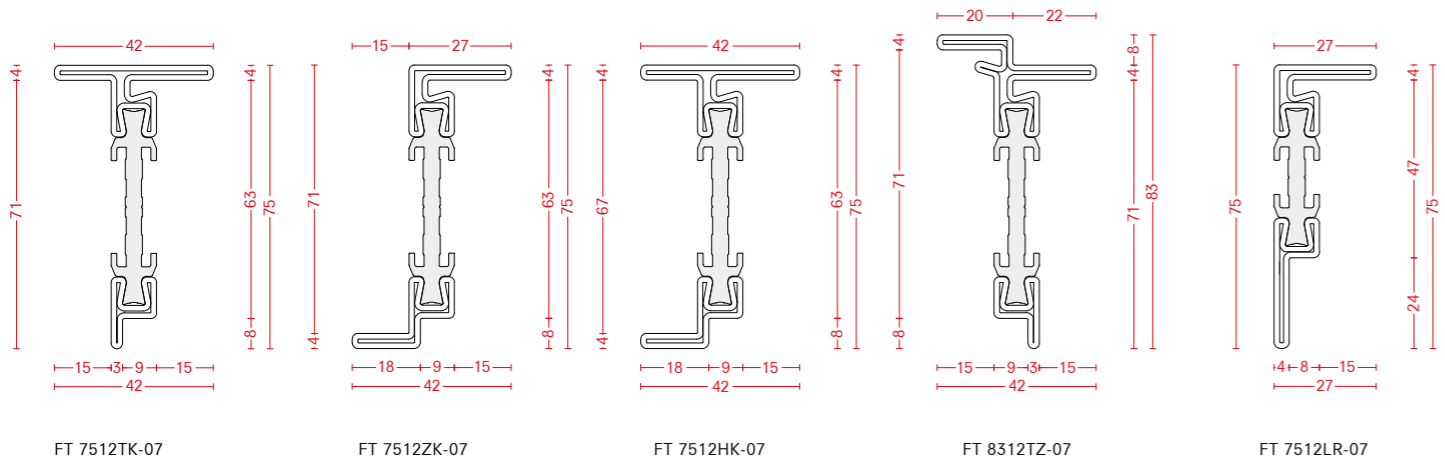
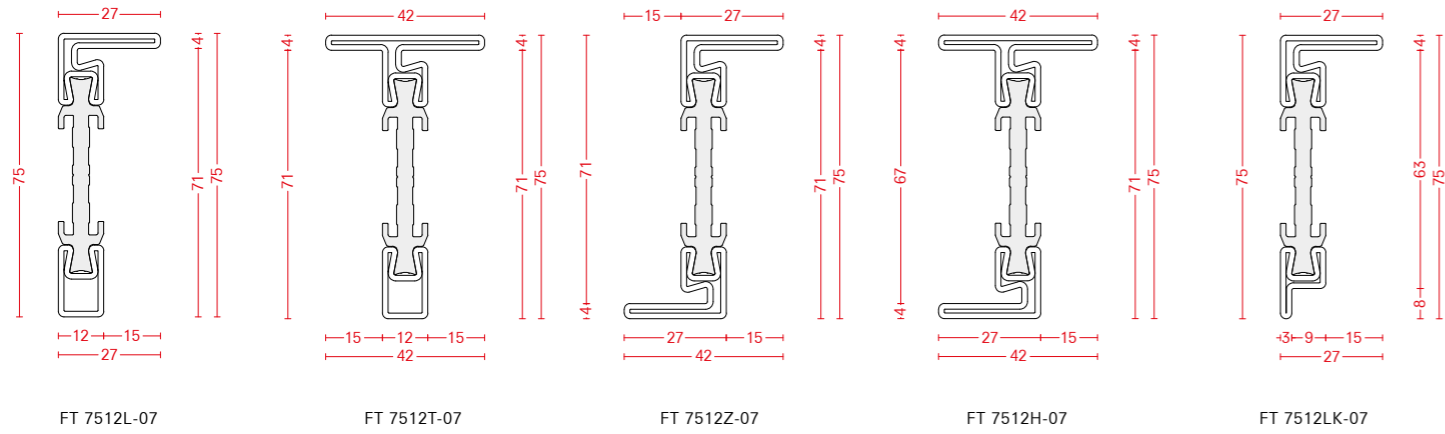
1. cold formed and sharp-edged 1,5 mm thick Cor-Ten steel profiles - high precision production lines
2. continuously welded profile, high mechanical performance
3. can be both internally and externally flush or overlapping, or externally flush and internally overlapping
4. profile depth compatible with insulating glass up to 55 mm
5. fiberglass-reinforced polyamide insulator
6. wide choice of glazing beads, rectangular, triangular and double "L" shape
7. EPDM co-extruded sealing gaskets
8. wide choice of specific fittings, including both visible and concealed hinges
9. side-hung, top-hung and bottom-hung windows, tilt and turn, pivoting windows, sliding and folding doors
10. surface finish with the distinctive oxidation patina of Cor-Ten, properly stabilized





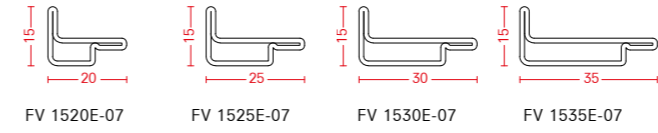
profile range – bar length 5800 mm

-07 Cor-Ten steel

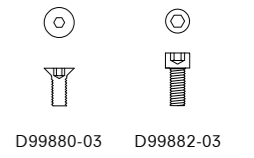


angular glazing beads – bar length 5800 mm

-03 Stainless steel AISI 304 2B -07 Cor-Ten steel

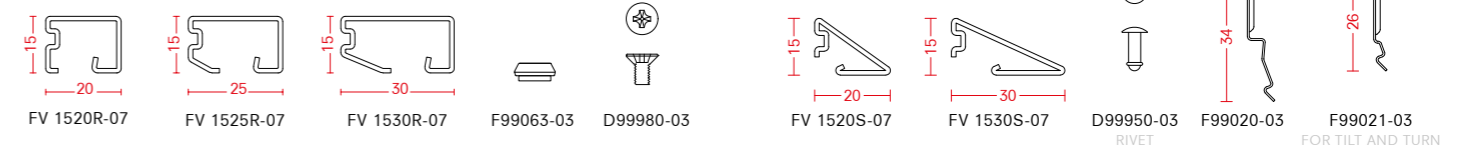


fixing screws



snap-on Cor-Ten glazing beads – bar length 5800 mm

-03 Stainless steel AISI 304 2B -07 Cor-Ten steel



clips

rebate gaskets

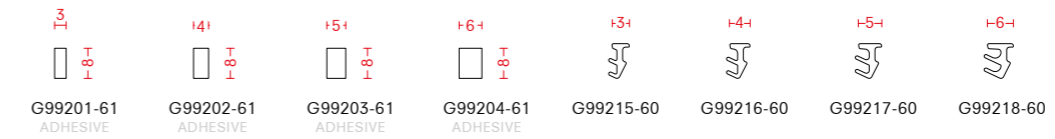
-60 Black EPDM -61 Neoprene -62 PVC



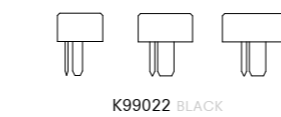
glass – external gaskets

glass – internal gaskets

-60 Black EPDM -61 Neoprene

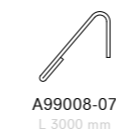


end pieces for second leaf



weather bars

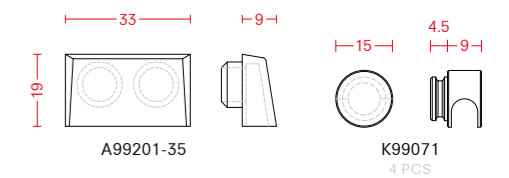
-07 Cor-Ten steel -35 Black -60 Black EPDM



drainage profile

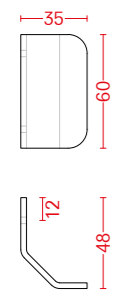


cover caps

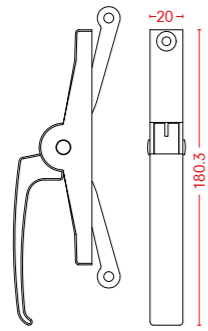


fittings examples – see accessories chapter and Handles Catalogue for details

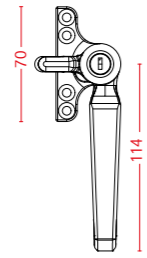
-12 Bright steel -29 Satin nickel SC Satin chrome SN Satin nickel



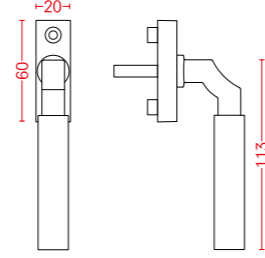
H99020-12  
HANDLE  
OPEN OUT



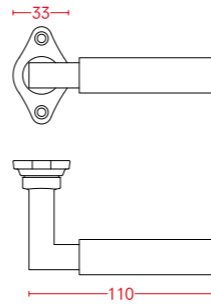
H99001-29  
LEVER HANDLE  
NU COLLECTION



700205 SC  
CLASSIC HANDLE  
HERITAGE COLLECTION

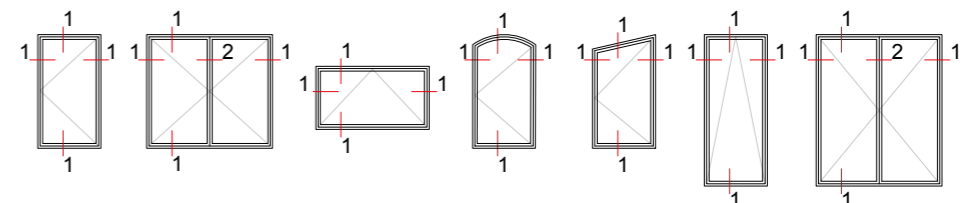
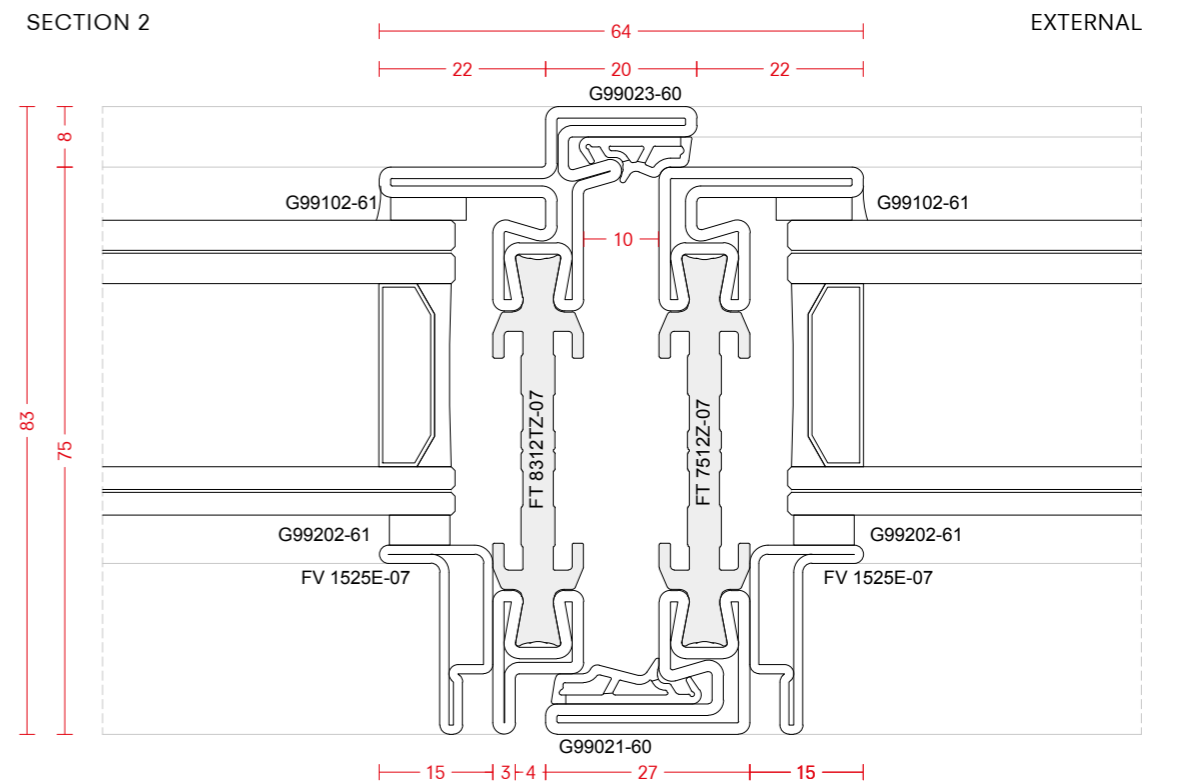
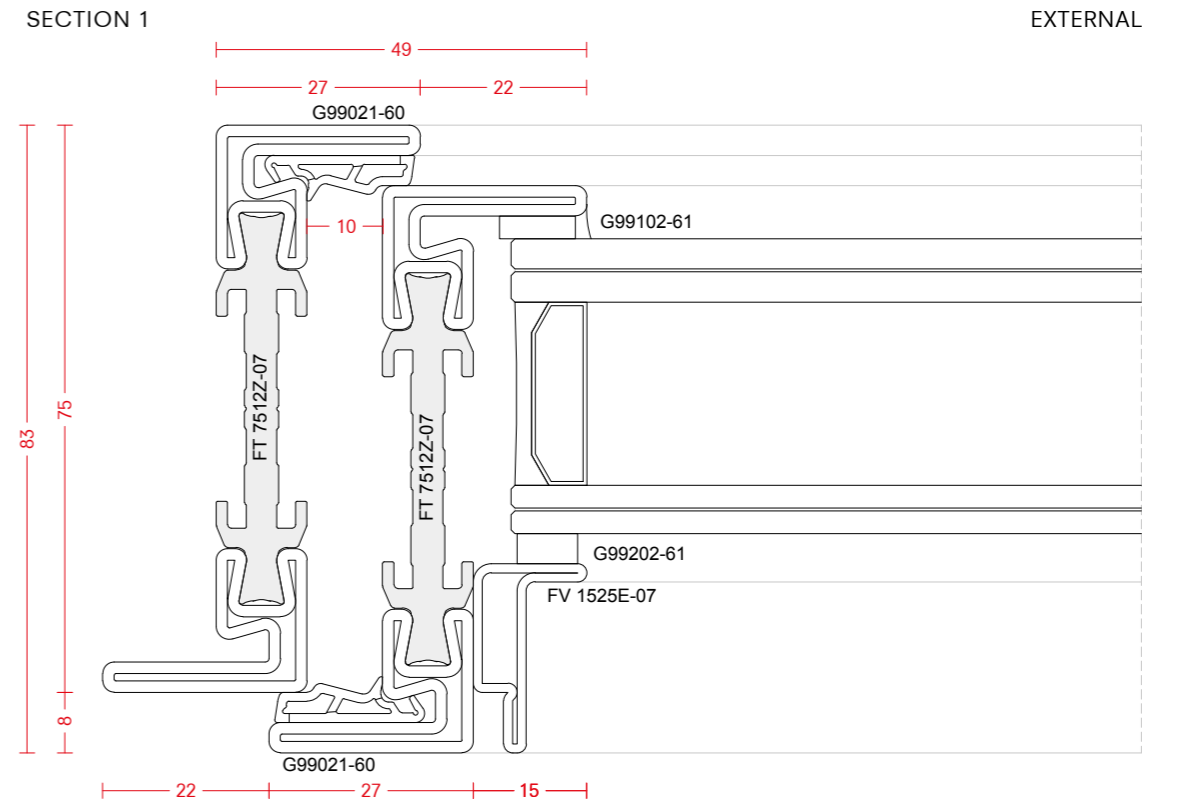


780010 SN  
TILT AND TURN HANDLE  
TIMELESS COLLECTION



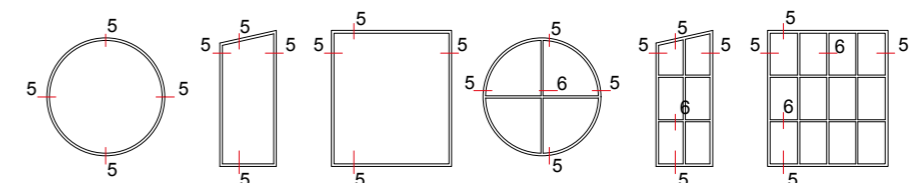
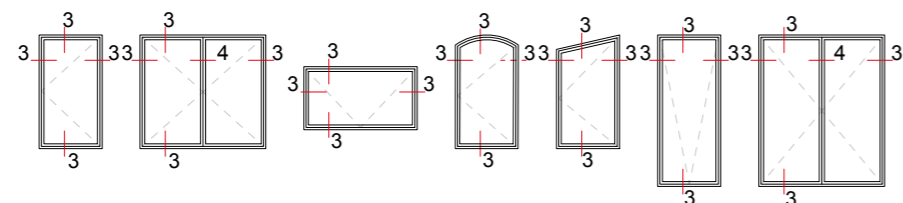
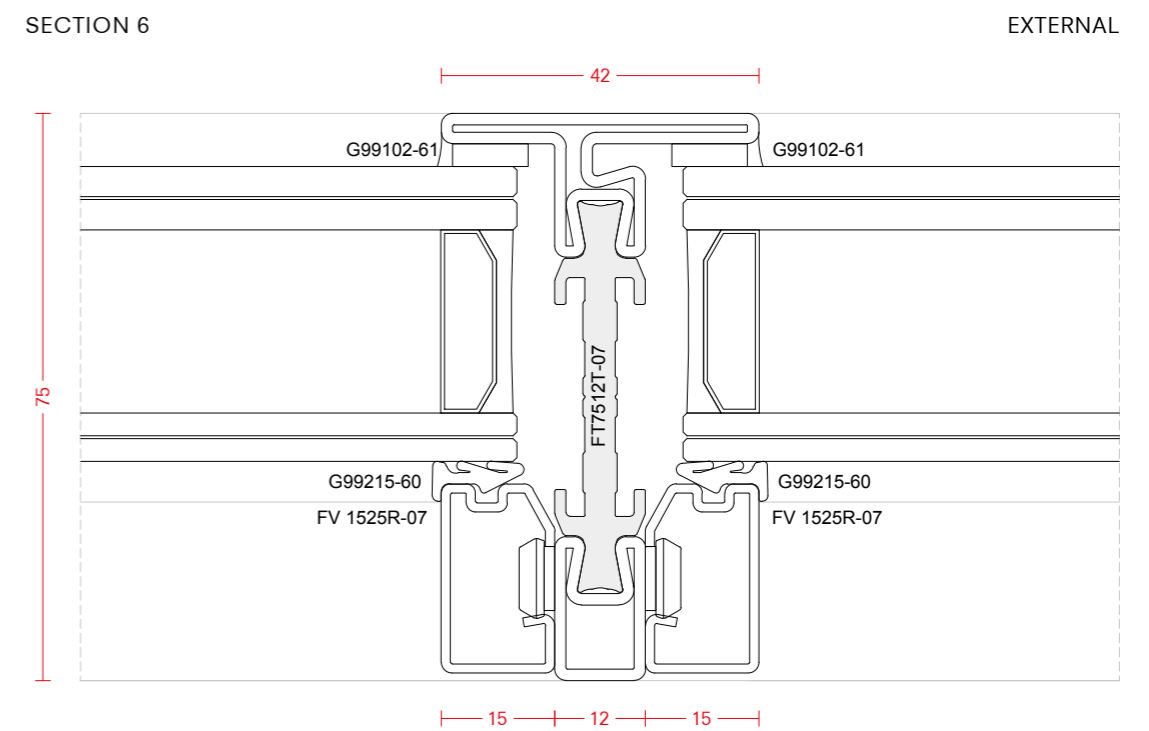
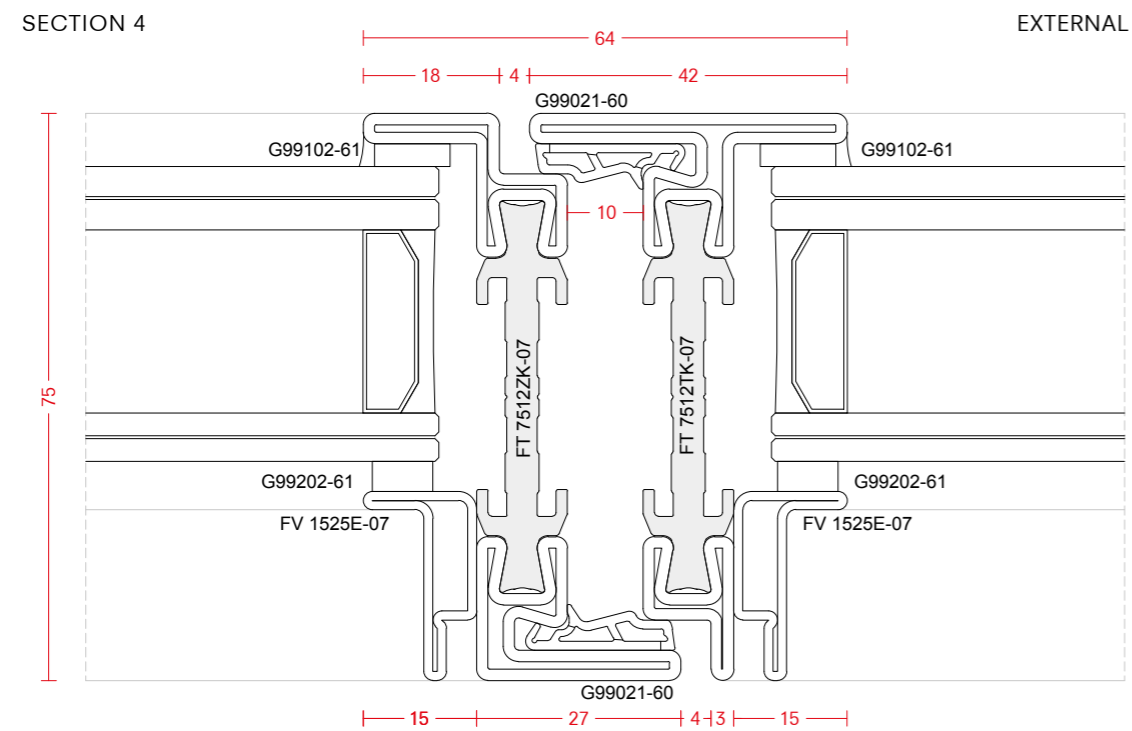
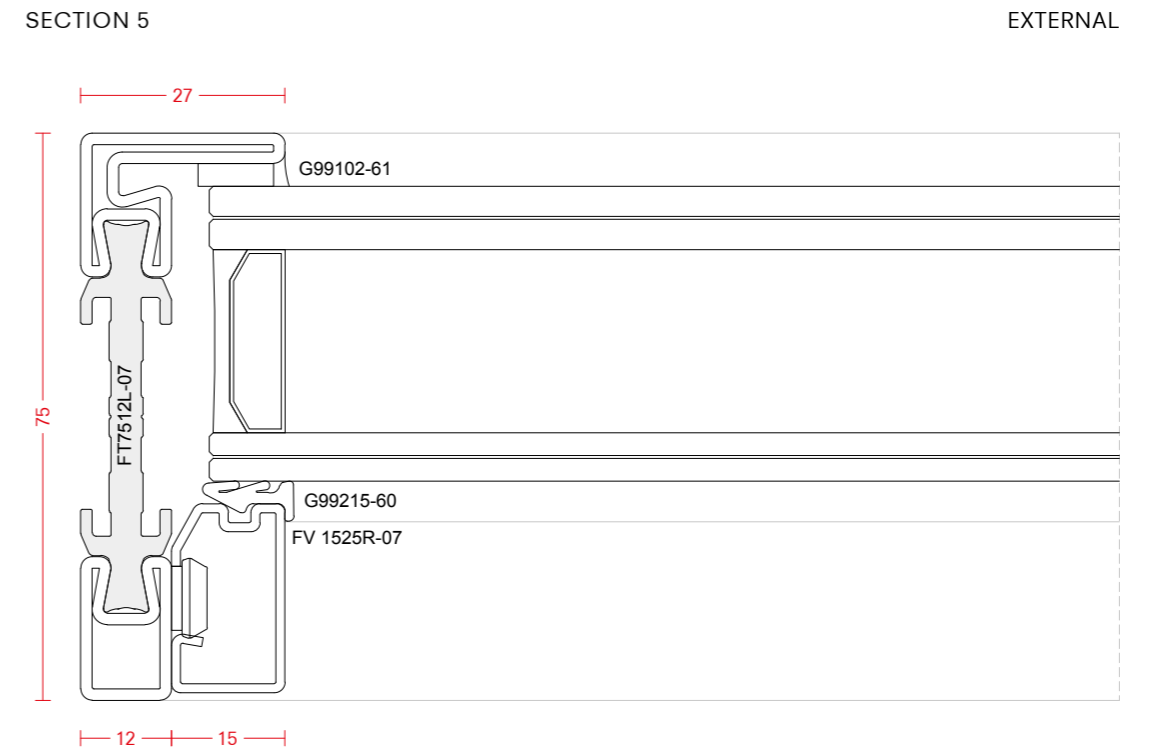
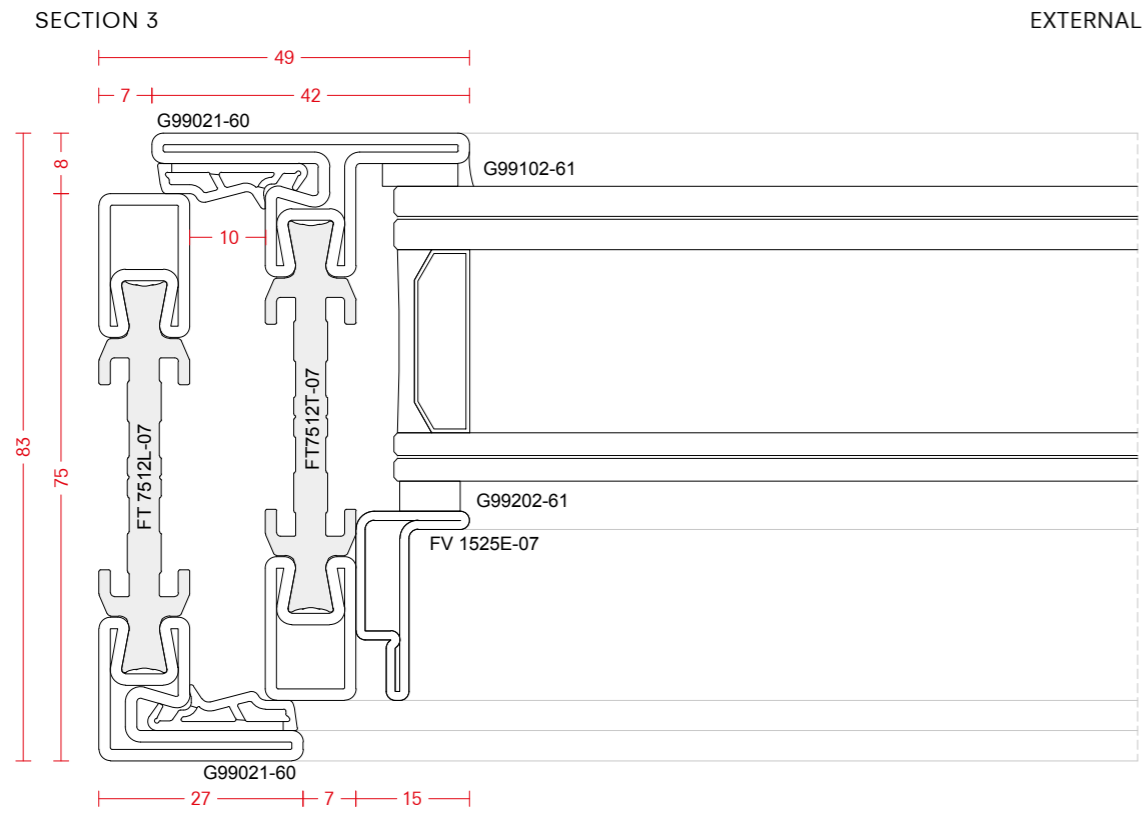
750030 SN  
DOOR HANDLE  
TIMELESS COLLECTION

examples - open in



examples - open out

examples



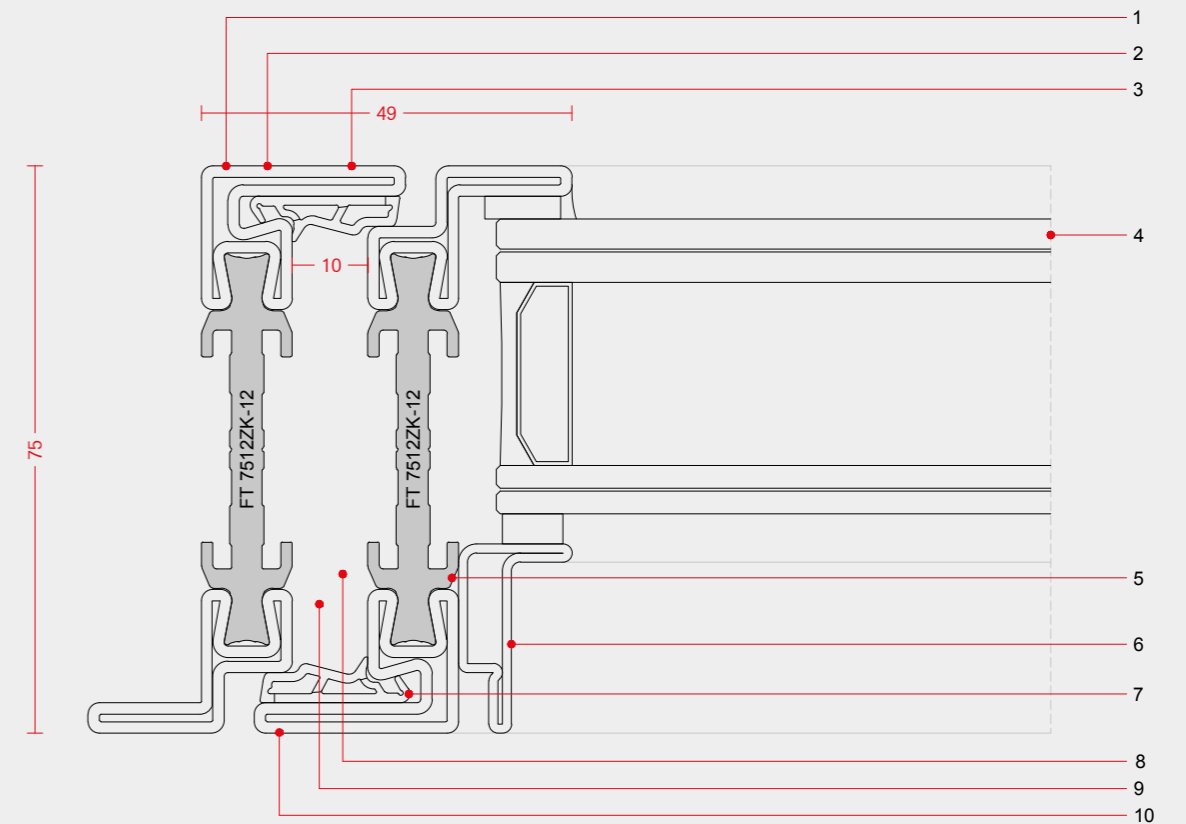
## FerroFinestra W75 TB Bright steel

With the same refined design as the FerroFinestra family, the W75 TB series in bright steel meets the most demanding projects with the highest insulation requirements. The 75 mm profile depth allows the housing of energy-efficient insulating glass up to 52 mm and the glass fibre reinforced polyamide insulator provides excellent thermal values. The system consists of 16 different profile geometries, plus 9 profiles from the separate series for doors.



### MAIN FEATURES

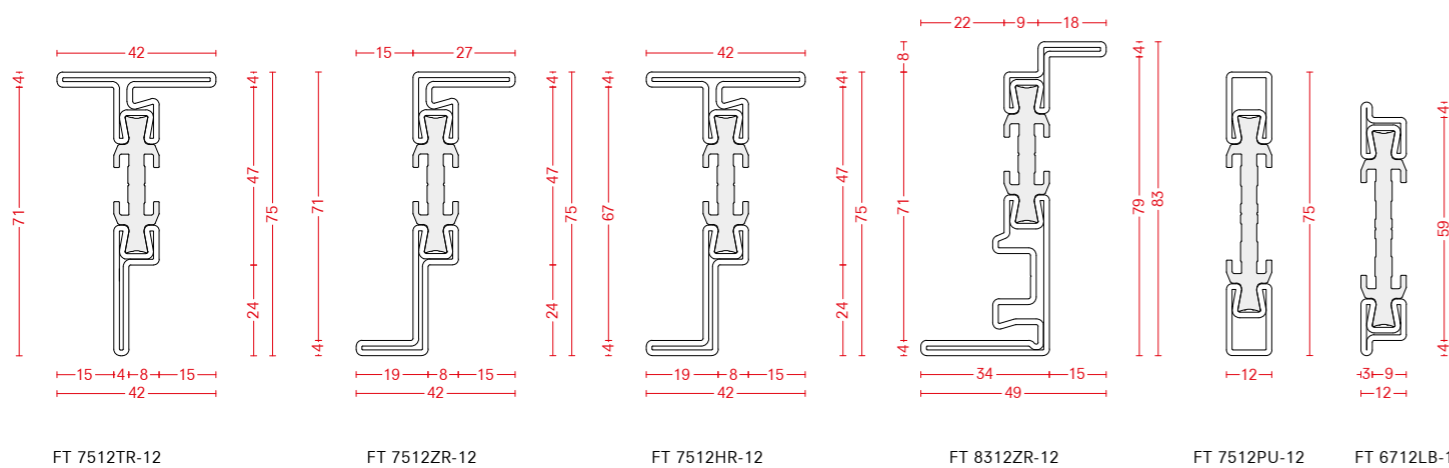
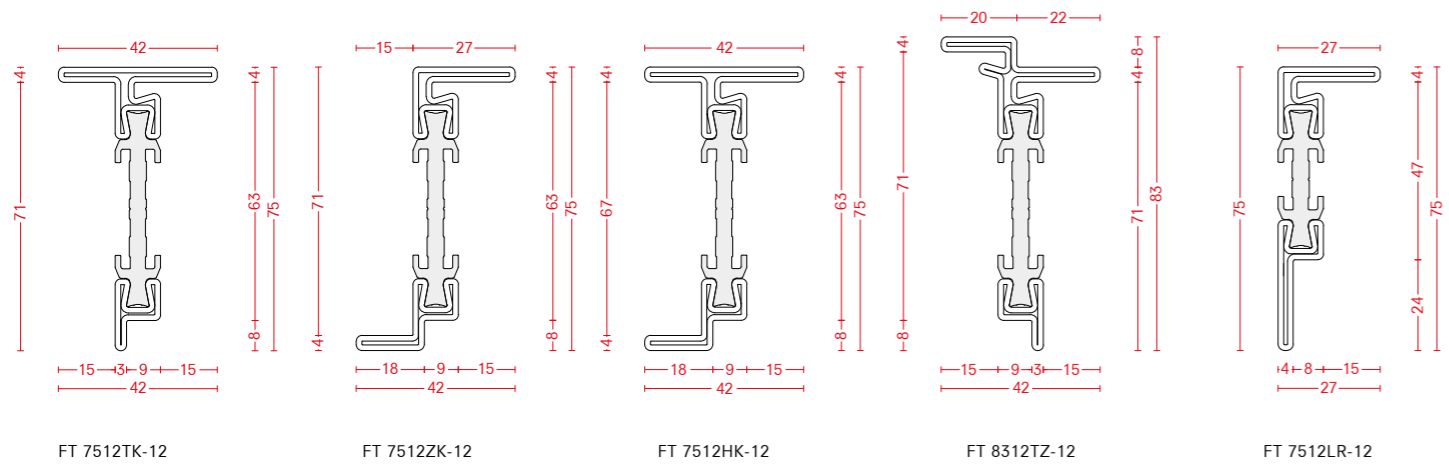
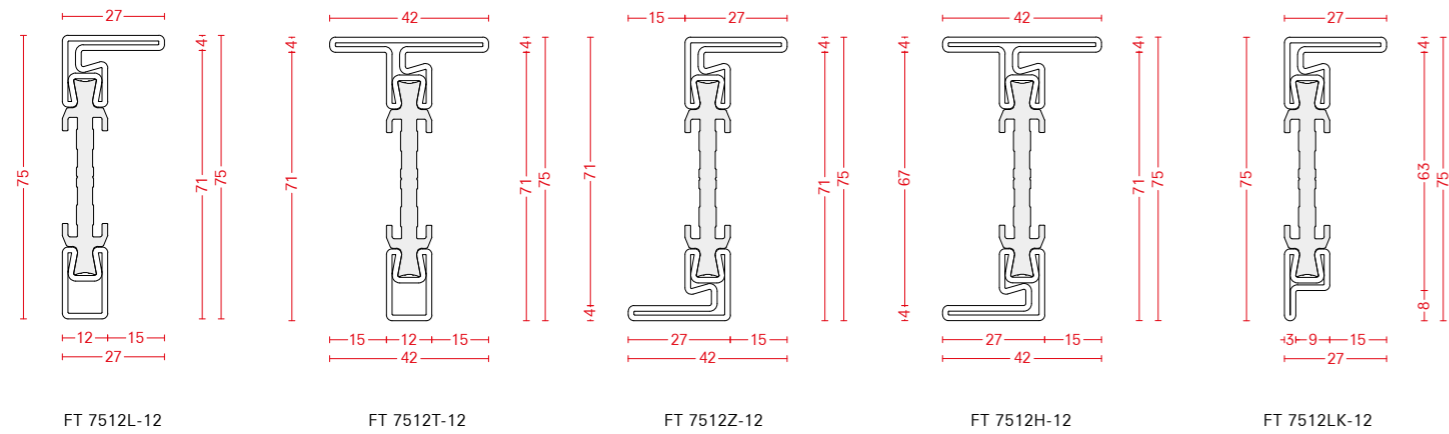
1. cold formed and sharp-edged 1,5 mm thick bright steel profiles - high precision production lines
2. continuously welded profile, high mechanical performance
3. can be both internally and externally flush or overlapping, or externally flush and internally overlapping
4. profile depth compatible with insulating glass up to 55 mm
5. fiberglass-reinforced polyamide insulator
6. wide choice of glazing beads, rectangular, triangular and double "L" shape
7. EPDM co-extruded sealing gaskets
8. wide choice of specific fittings, including both visible and concealed hinges
9. side-hung, top-hung and bottom-hung windows, tilt and turn, pivoting windows, sliding and folding doors
10. surface finishes in any customized or RAL colours, for a great planning freedom



drawing scale 1:1

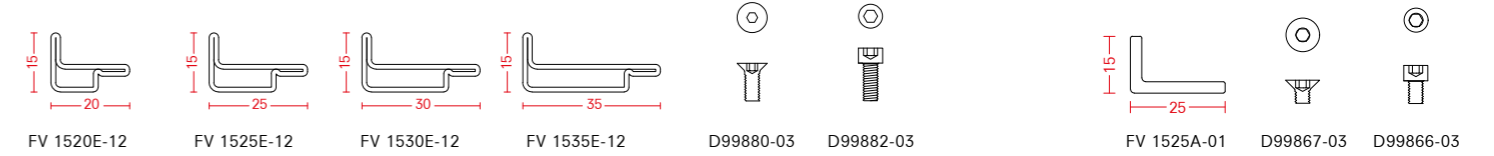
profile range – bar length 5800 mm

-12 Bright steel



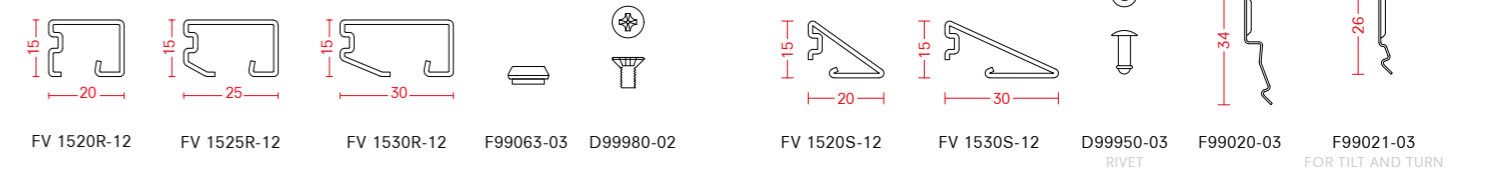
angular glazing beads – bar length 5800 mm

-01 Hot rolled steel    -03 Stainless steel AISI 304 2B    -12 Bright steel



snap-on glazing beads – bar length 5800 mm

-02 Galvanized steel    -03 Stainless steel AISI 304 2B    -12 Bright steel



snap-on glazing beads – bar length 5800 mm

-00 Aluminum    -02 Galvanized steel    -03 Stainless steel AISI 304 2B



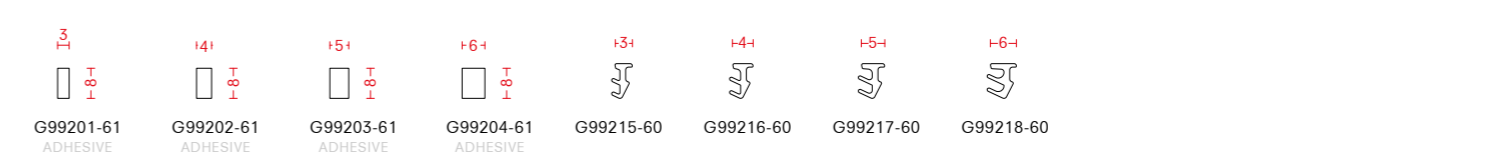
rebate gaskets

-60 Black EPDM    -61 Neoprene    -62 PVC    -77 White EPDM

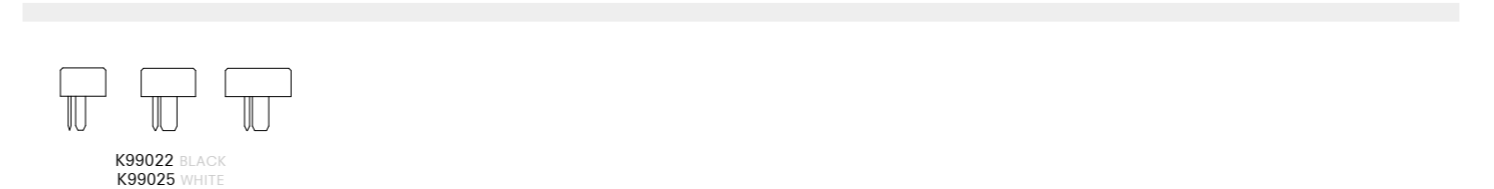


glass – internal gaskets

-60 Black EPDM    -61 Neoprene

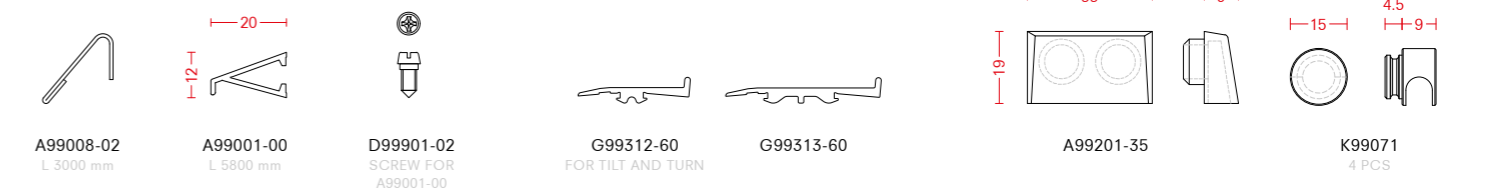


end pieces for second leaf



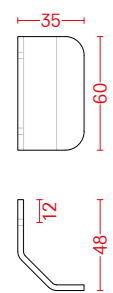
weather bars

-00 Aluminum    -02 Galvanized steel    -35 Black    -60 Black EPDM

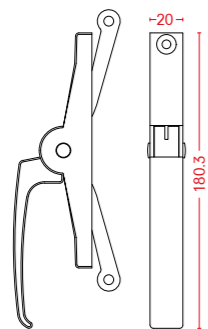


fittings examples – see accessories chapter and Handles Catalogue for details

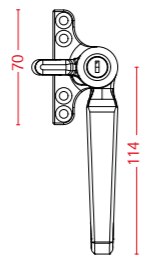
-12 Bright steel -29 Satin nickel SC Satin chrome SN Satin nickel



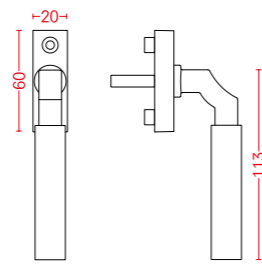
H99020-12  
HANDLE  
OPEN OUT



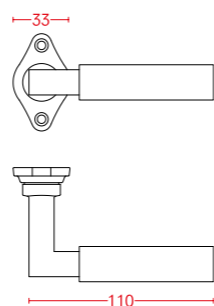
H99001-29  
LEVER HANDLE  
NU COLLECTION



700205 SC  
CLASSIC HANDLE  
HERITAGE COLLECTION

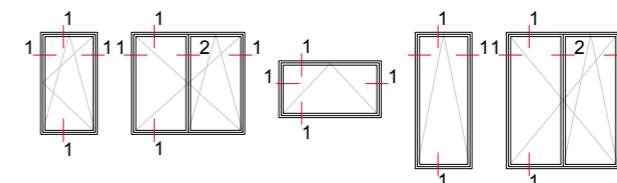
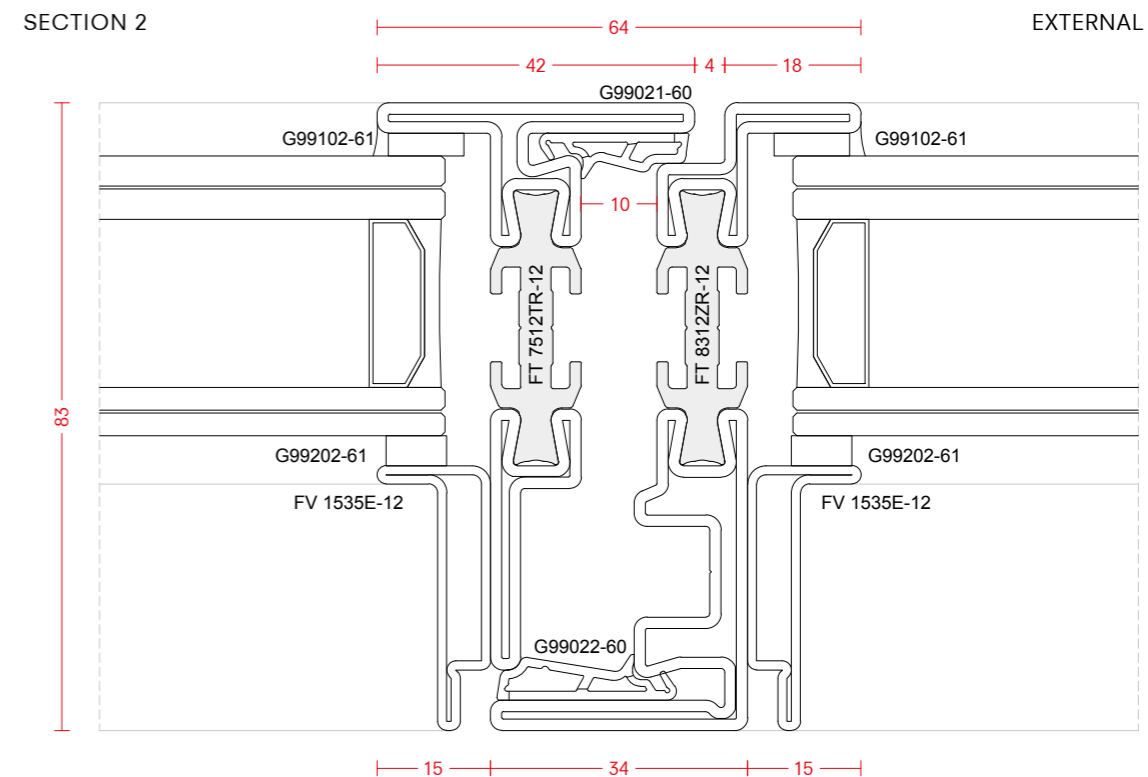
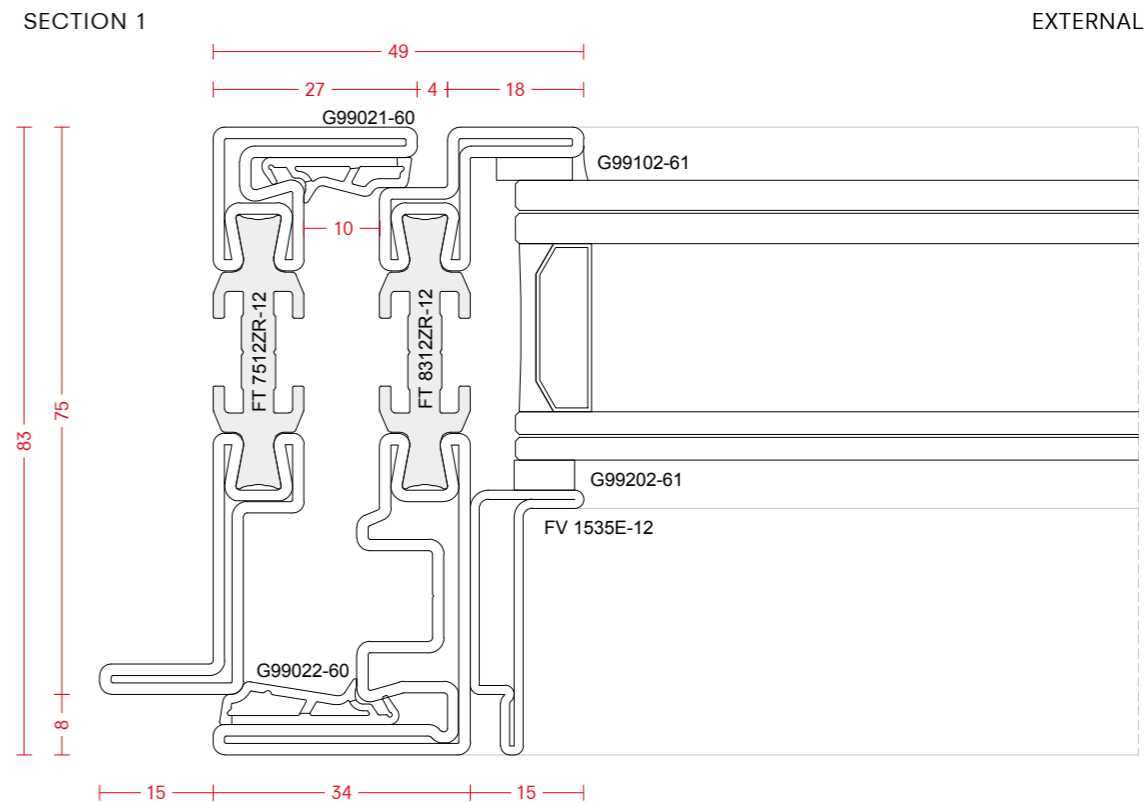


780010 SN  
TILT AND TURN HANDLE  
TIMELESS COLLECTION



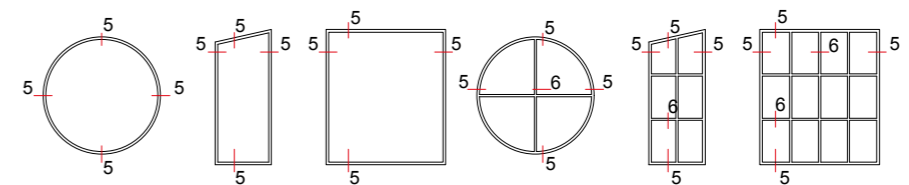
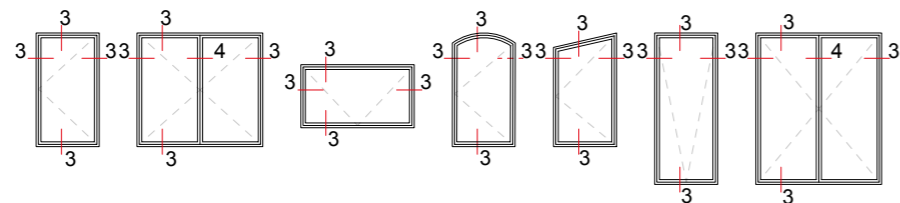
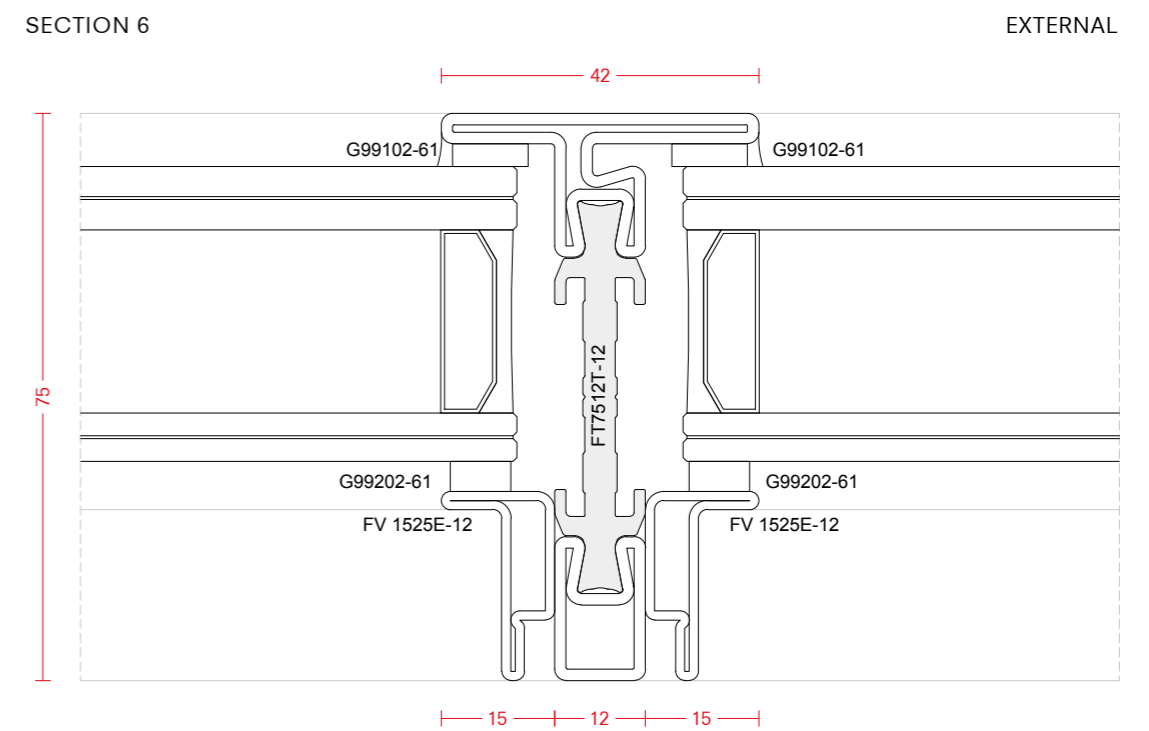
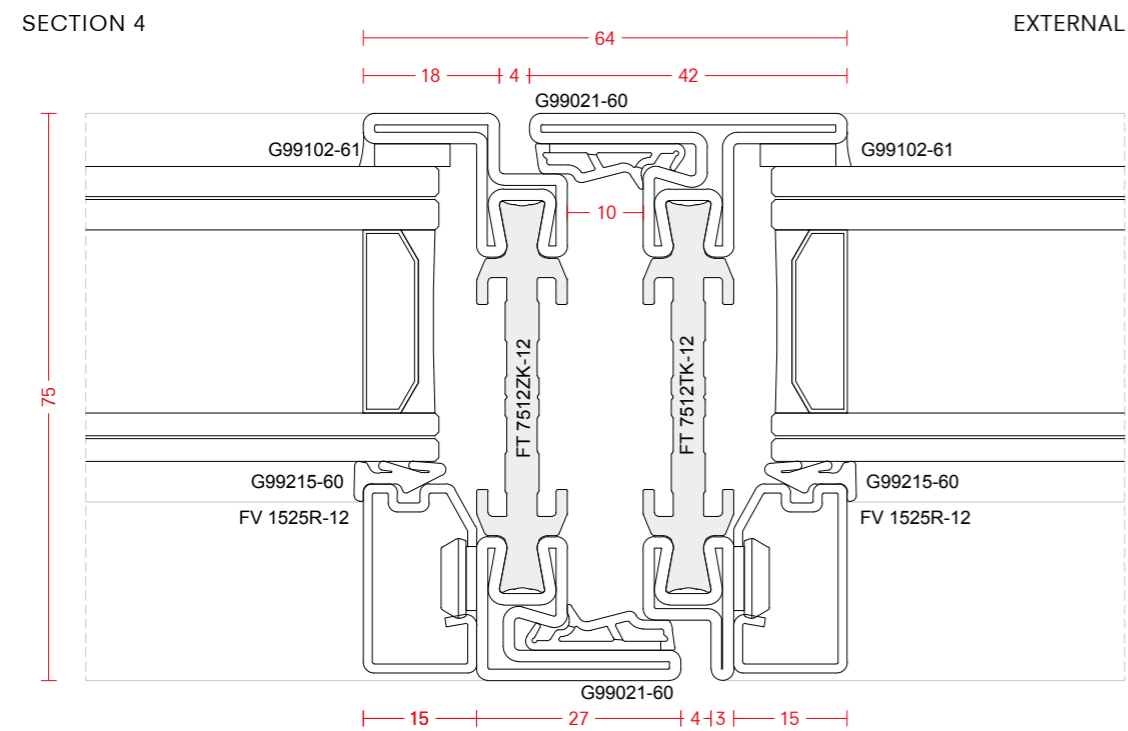
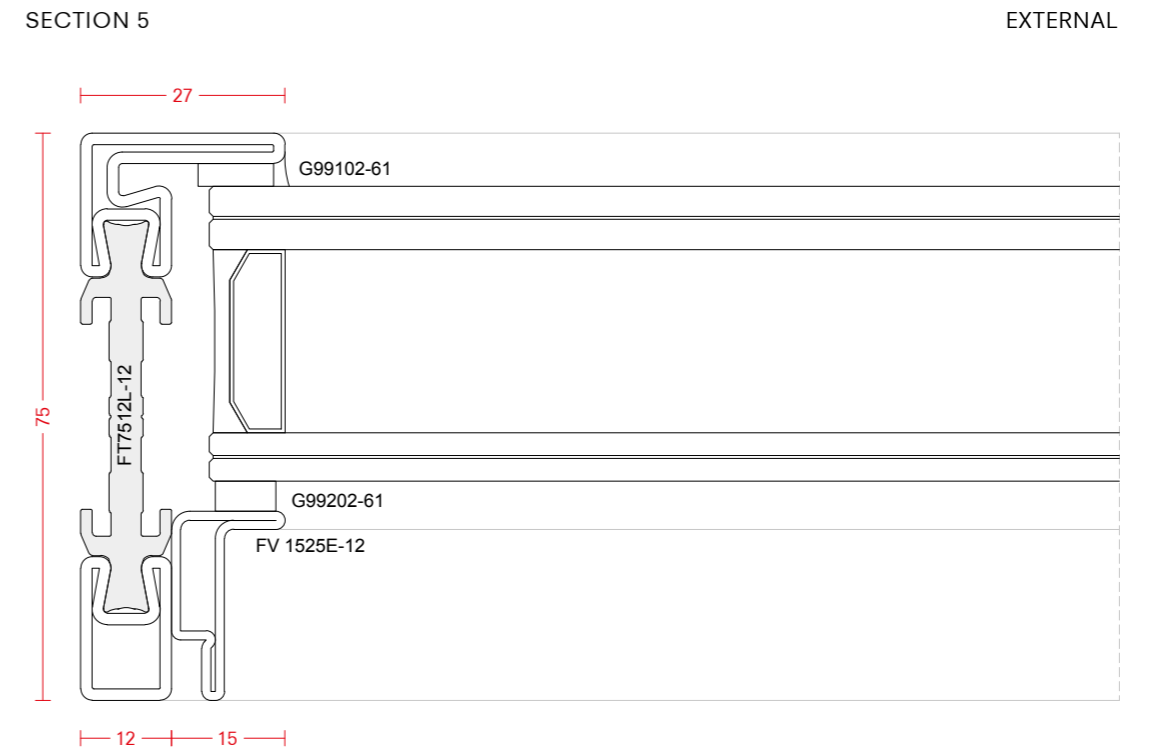
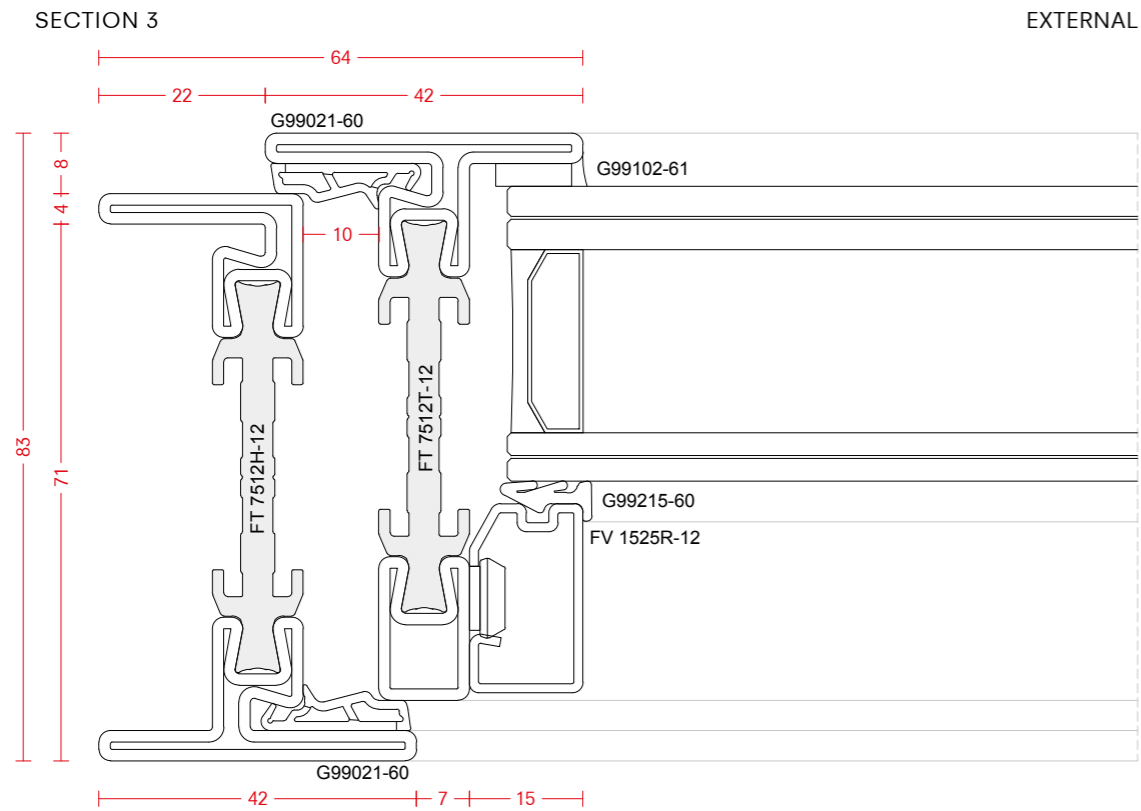
750030 SN  
DOOR HANDLE  
TIMELESS COLLECTION

examples - open in



examples - open out

examples



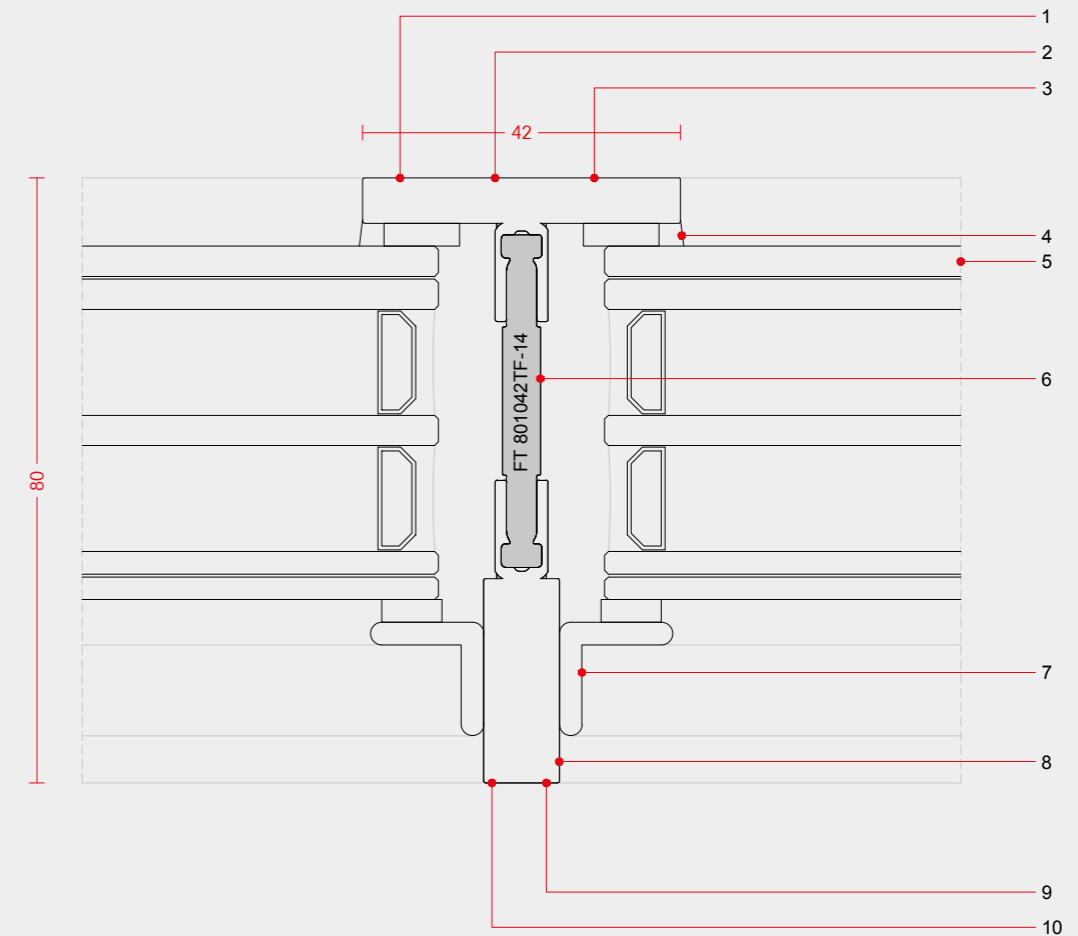
## FerroFinestra T42 TB

The FerroFinestra T42 TB thermal break system for façades and large openings exploits the qualities of steel and stainless steel: it allows large spans with slimmer structures, thanks to its high modulus of elasticity (3 times higher than aluminium) and the high moments of inertia of the solid steel profiles with thermal break. Unlike conventional façade systems, the T42 TB T-profiles integrate the thermal barrier directly into the profile, providing excellent thermal insulation with a reduced sightline of only 42 mm. Available in bright steel and stainless steel, the system allows any type of door or window to be integrated into the façade. The sharp-edged aesthetics make it ideal for restoration works as well as modern high-end projects.



### MAIN FEATURES

- |  |   |
|--|---|
| 1. steel S235JR, stainless steel AISI 304, stainless steel AISI 316L | 6. thermal barrier in fiberglass reinforced polyamide                               |
| 2. laser welded profiles with integrated thermal barrier             | 7. wide choice of glazing beads, for different design of the window                 |
| 3. external flange 6 mm thickness                                    | 8. depth 80, 100, 120, 140 mm   |
| 4. external perimential sealing system                               | 9. web thickness 10 mm  |
| 5. profile depth compatible with high insulating glass               | 10. surface finishes in any customized or RAL colours, for a great planning freedom |

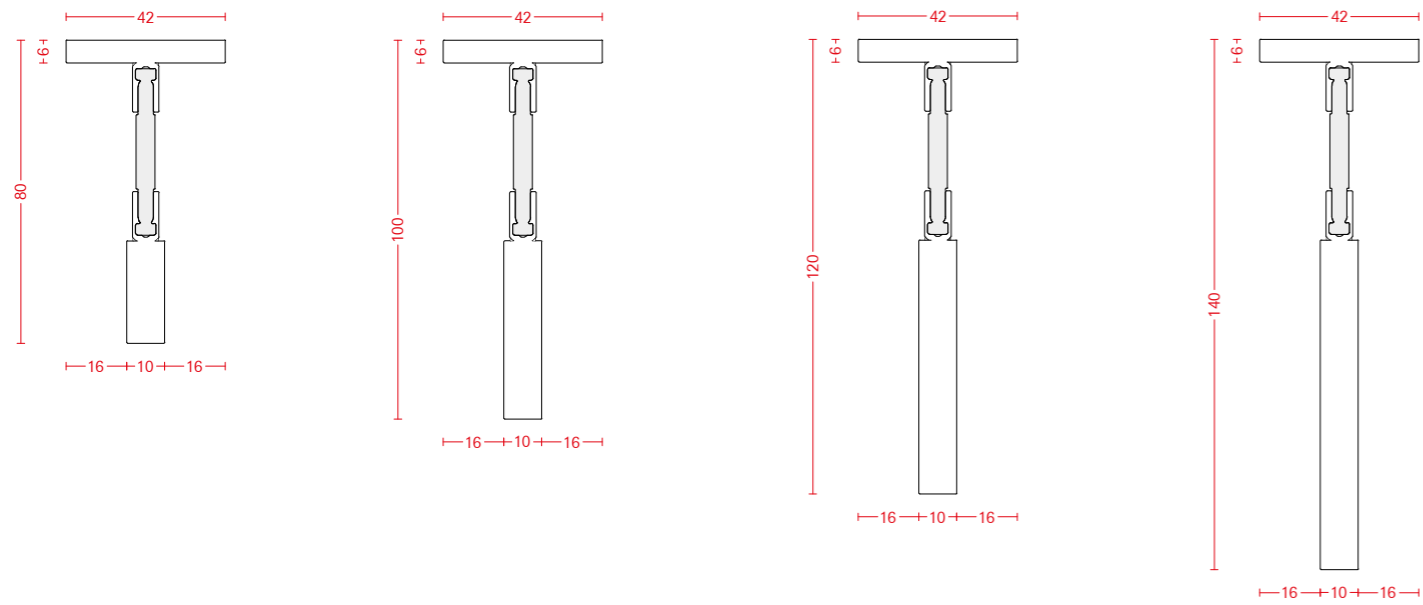


drawing scale 1:1



profile range – bar length 5800 mm

-14 Laser welded and sand blasted steel -33 Laser welded and sand blasted stainless steel AISI 304L  
 -34 Laser welded and sand blasted stainless steel AISI 316L

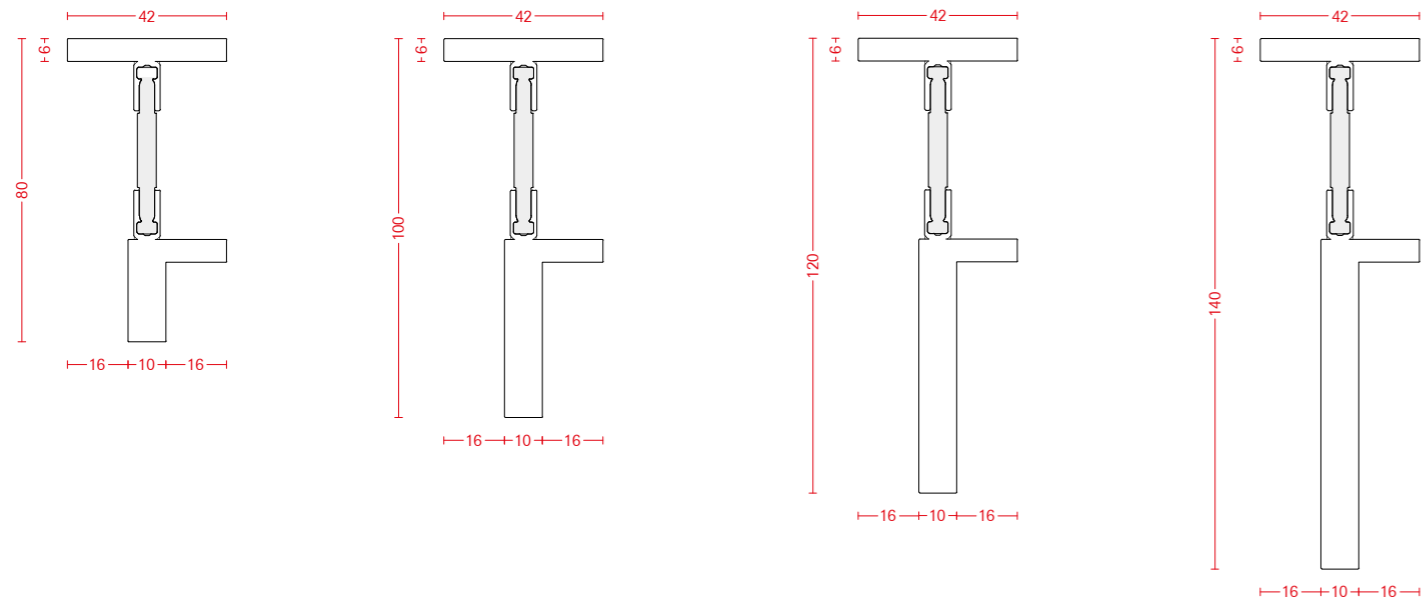


FT 801042TF-14  
 FT 801042TF-33  
 FT 801042TF-34

FT 1001042TF-14  
 FT 1001042TF-33  
 FT 1001042TF-34

FT 1201042TF-14  
 FT 1201042TF-33  
 FT 1201042TF-34

FT 1401042TF-14  
 FT 1401042TF-33  
 FT 1401042TF-34



FT 801042HF-14  
 FT 801042HF-33  
 FT 801042HF-34

FT 1001042HF-14  
 FT 1001042HF-33  
 FT 1001042HF-34

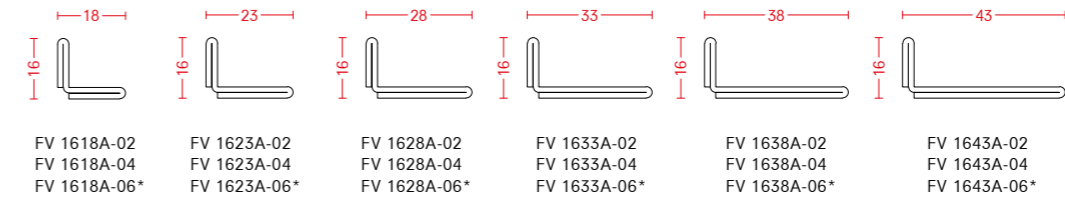
FT 1201042HF-14  
 FT 1201042HF-33  
 FT 1201042HF-34

FT 1401042HF-14  
 FT 1401042HF-33  
 FT 1401042HF-34

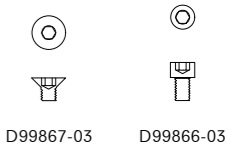
angular glazing beads – bar length 3000 mm (4000 mm\*)

fixing screws

-02 Galvanized steel -03 Stainless steel AISI 304 2B -04 Satin stainless steel AISI 304 \*on request - minimum quantity required  
 -06 Satin stainless steel AISI 316L



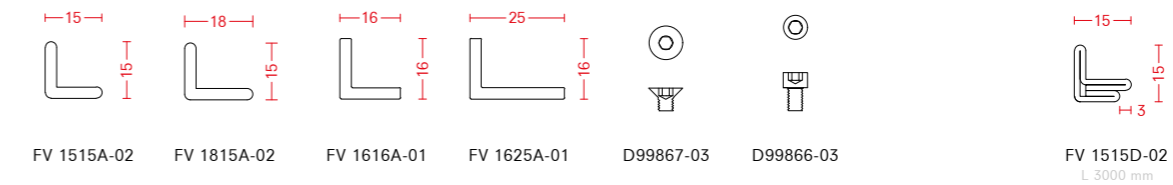
FV 1618A-02 FV 1623A-02 FV 1628A-02 FV 1633A-02 FV 1638A-02 FV 1643A-02  
 FV 1618A-04 FV 1623A-04 FV 1628A-04 FV 1633A-04 FV 1638A-04 FV 1643A-04  
 FV 1618A-06\* FV 1623A-06\* FV 1628A-06\* FV 1633A-06\* FV 1638A-06\* FV 1643A-06\*



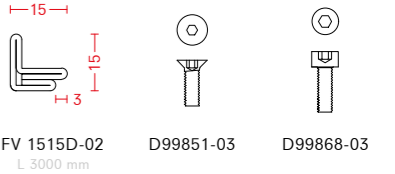
angular glazing beads – bar length 5800 mm

fixing screws

-01 Hot rolled steel -02 Galvanized steel -03 Stainless steel AISI 304 2B



FV 1515A-02 FV 1815A-02 FV 1616A-01 FV 1625A-01



glass – external gaskets

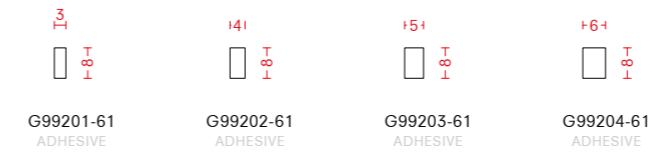
-61 Neoprene -62 PVC



G99101-61 G99102-61 G99103-62  
 ADHESIVE ADHESIVE ADHESIVE

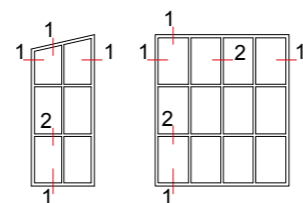
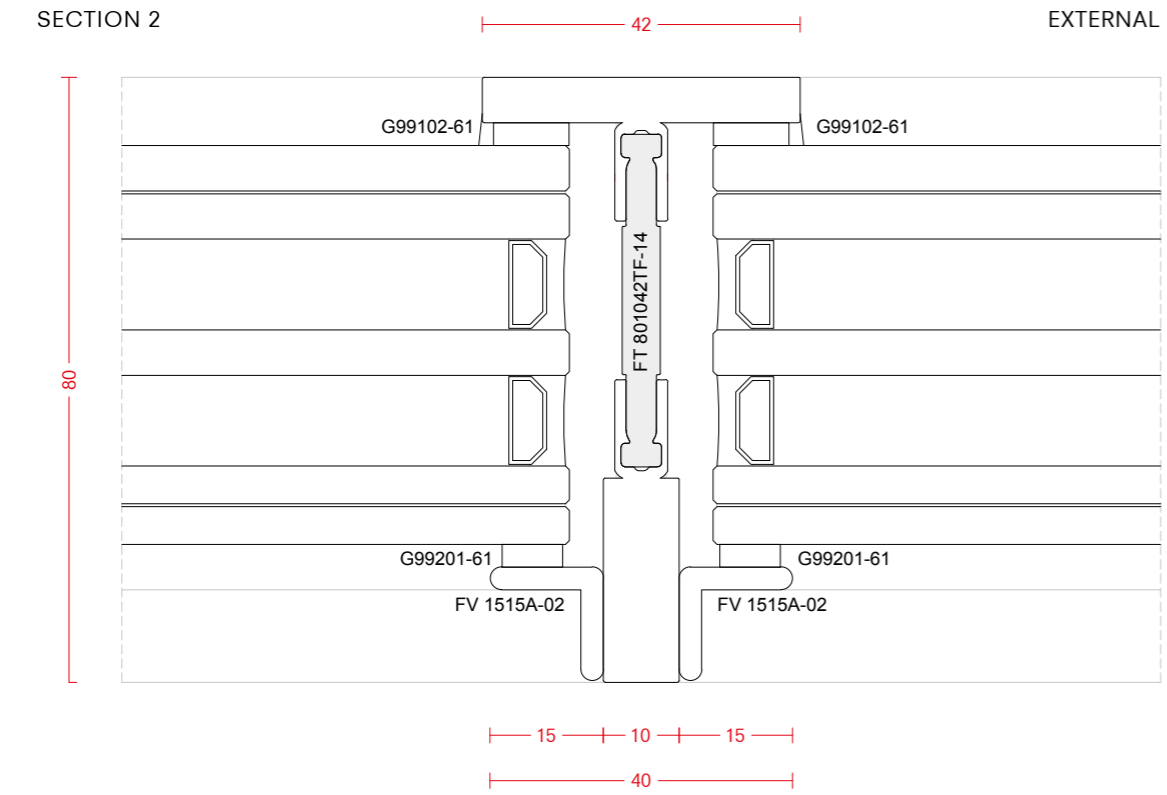
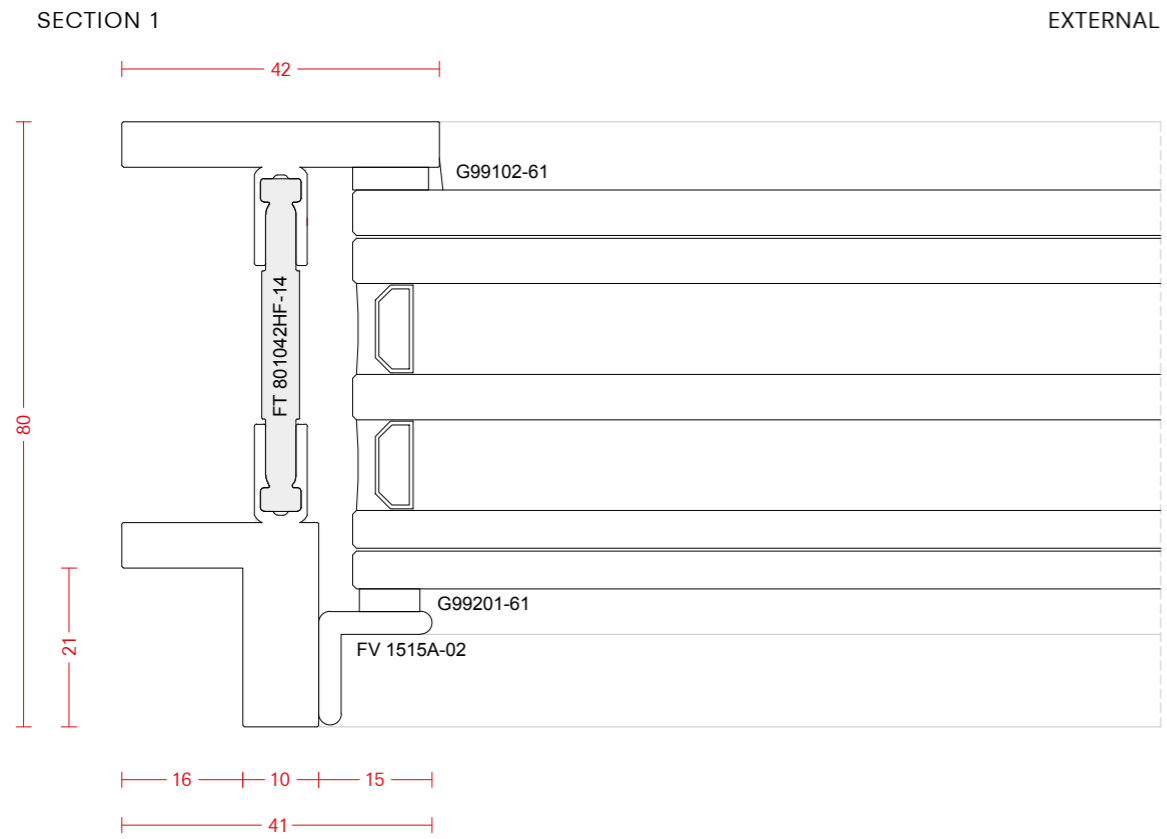
glass – internal gaskets

-61 Neoprene



G99201-61 G99202-61 G99203-61 G99204-61  
 ADHESIVE ADHESIVE ADHESIVE ADHESIVE

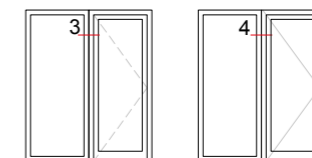
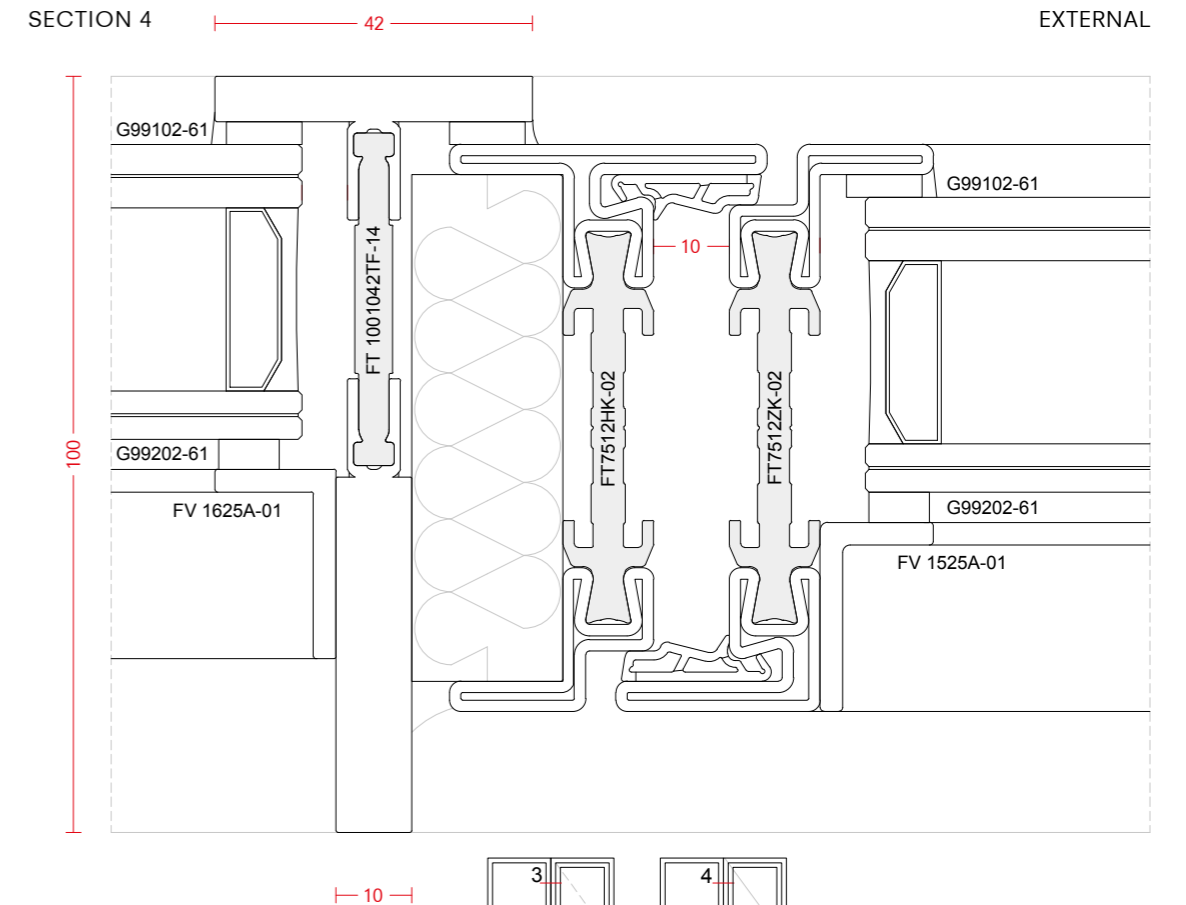
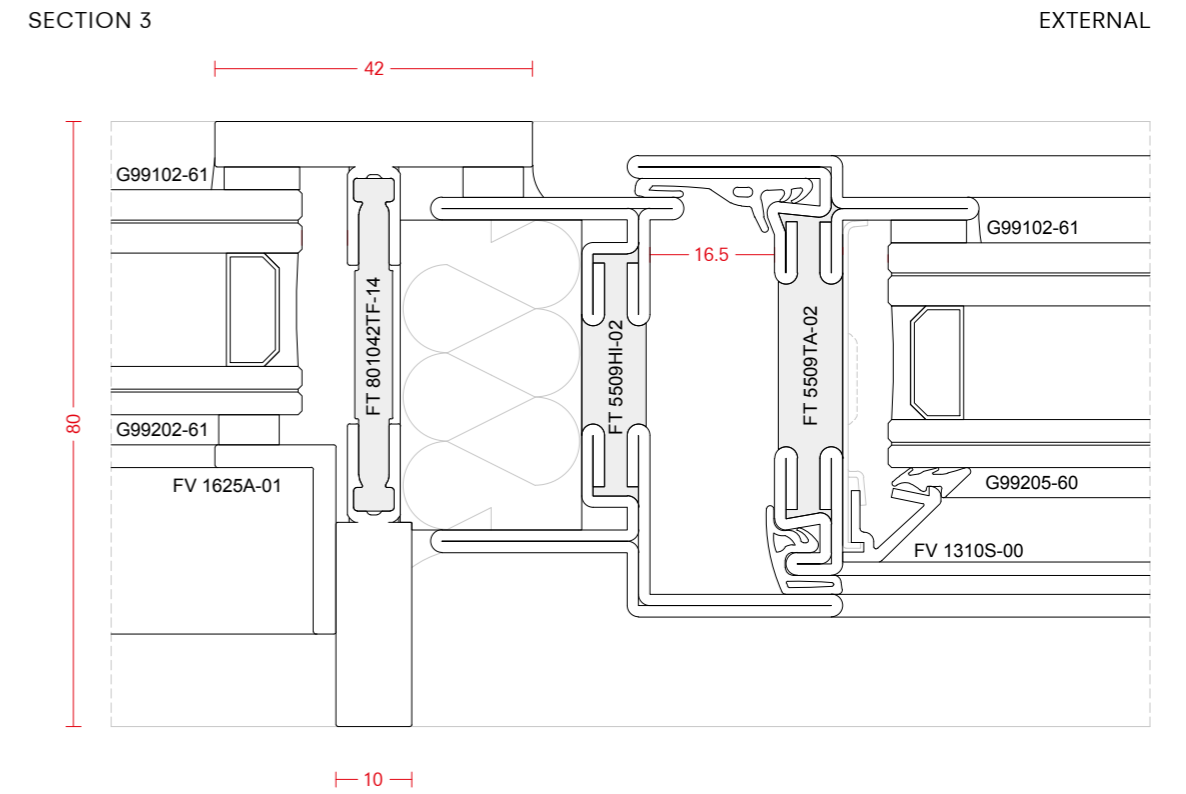
examples



RELEASE JUNE 2021

DISCLAIMER SEE PAG 237

examples



RELEASE JUNE 2021

DISCLAIMER SEE PAG 237

## FerroFinestra Custom CPX TB

Custom CPX TB allows the production of stainless steel thermal break profiles based on a tailor-made concept.

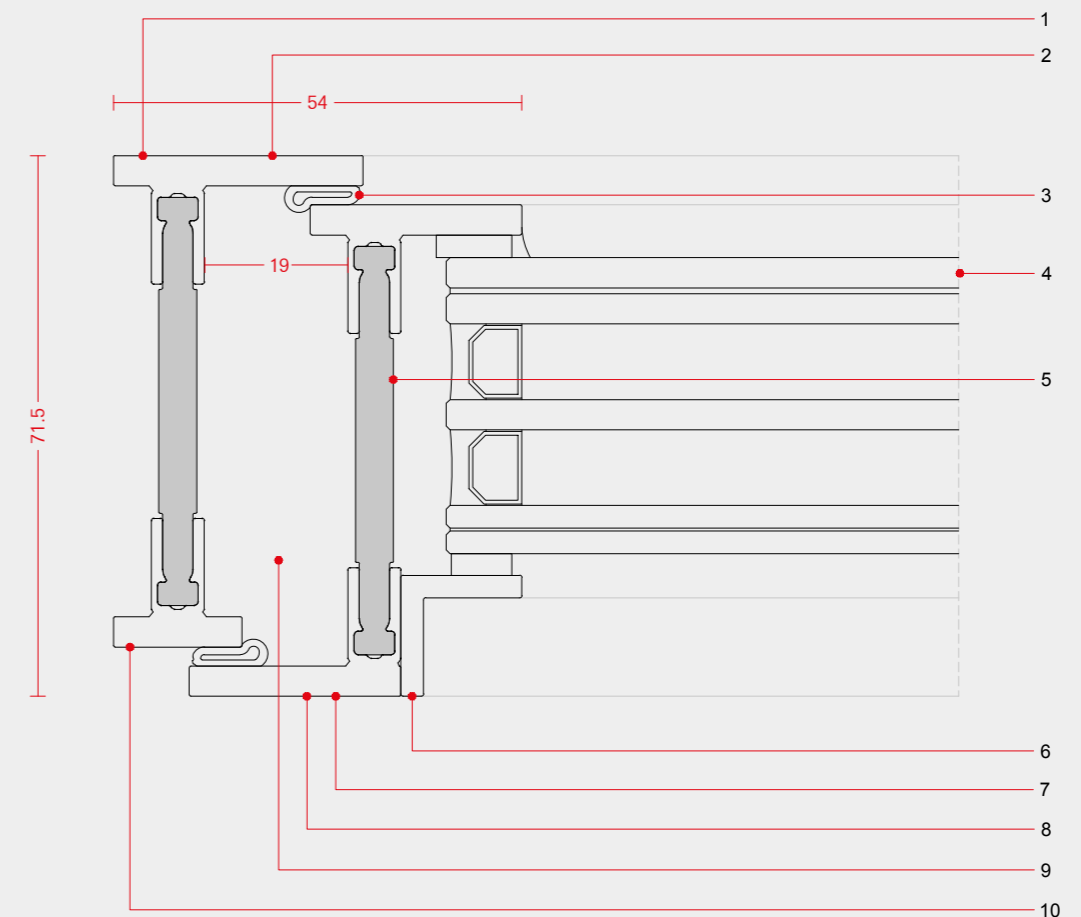
An extremely innovative solution, designed to allow architects to design every single detail.

Custom CPX TB profiles are developed from a solid core of stainless steel and polyamide, to which flanges of customized thickness, dimensions and appearance can be laser-welded, to meet the requirements of each specific architectural project. Custom CPX TB allows to draw any profile design, opening up countless possible solutions and releasing the architect's creativity.



### MAIN FEATURES

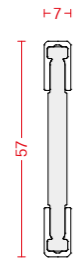
- |  |  |
|--|--|
| 1. stainless steel AISI 304 - 316L                                 | 7. compatibility with commercial fittings  |
| 2. customized design   | 8. compatibility with friction hinges  |
| 3. self-adhesive non-shrinking gaskets                             | 9. side-hung, top-hung and bottom-hung windows   |
| 4. profile depth compatible with high performance insulating glass | 10. surface finishes: satinizing or burnishing; coating in any RAL or customized colours, for great planning freedom |
| 5. thermal barrier in fiberglass reinforced polyamide              |  |
| 6. choice of different glazing beads                               |  |



drawing scale 1:1

profile range – bar length 5800 mm

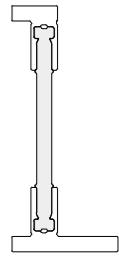
-03 Stainless steel AISI 304 2B



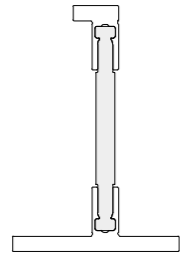
CP 5707IB-03

examples of laser welded custom profiles

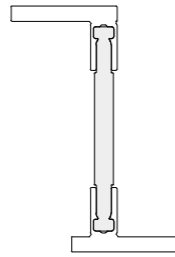
-33 Laser welded and sand blasted stainless steel AISI 304L  
 -34 Laser welded and sand blasted stainless steel AISI 316L



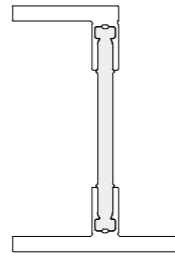
CP 6507LF-33  
CP 6507LF-34



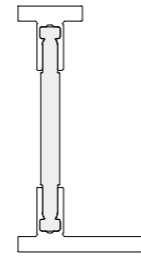
CP 6507TU-33  
CP 6507TU-34



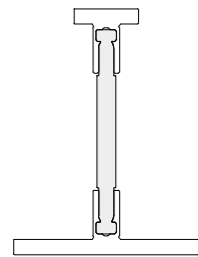
CP 6507ZU-33  
CP 6507ZU-34



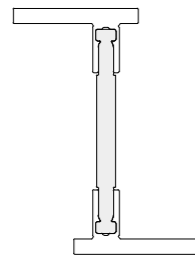
CP 6507HF-33  
CP 6507HF-34



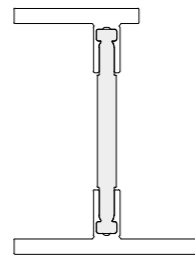
CP 6507L-33  
CP 6507L-34



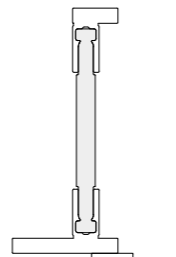
CP 6507TD-33  
CP 6507TD-34



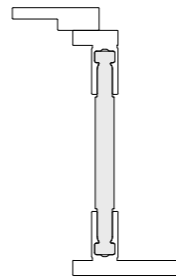
CP 6507Z-33  
CP 6507Z-34



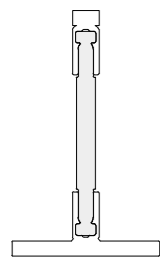
CP 6507H-33  
CP 6507H-34



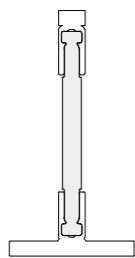
CP 7107TZ-33  
CP 7107TZ-34



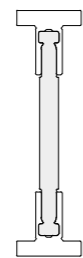
CP 7107ZA-33  
CP 7107ZA-34



CP 6507TN-33  
CP 6507TN-34



CP 6507TR-33  
CP 6507TR-34

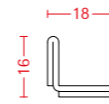


CP 6507SU-33  
CP 6507SU-34

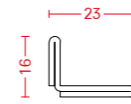
angular glazing beads – bar length 3000 mm (4000 mm\*)

fixing screws

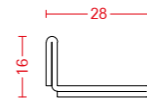
-03 Stainless steel AISI 304 2B -04 Satin stainless steel AISI 304 -06 Satin stainless steel AISI 316L \*on request - minimum quantity required



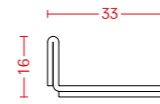
FV 1618A-04  
FV 1618A-06\*



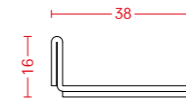
FV 1623A-04  
FV 1623A-06\*



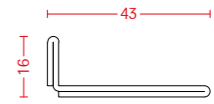
FV 1628A-04  
FV 1628A-06\*



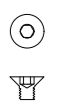
FV 1633A-04  
FV 1633A-06\*



FV 1638A-04  
FV 1638A-06\*



FV 1643A-04  
FV 1643A-06\*



D99867-03

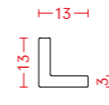


D99866-03

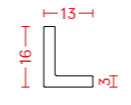
angular glazing beads – bar length 5800 mm

fixing screws

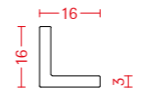
-33 Laser welded and sand blasted stainless steel AISI 304L \*on request - minimum quantity required  
 -34 Laser welded and sand blasted stainless steel AISI 316L



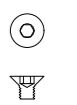
FV 1313A-33\*  
FV 1313A-34\*



FV 1316A-33\*  
FV 1316A-34\*



FV 1616A-33\*  
FV 1616A-34\*



D99867-03



D99866-03

rebate gaskets

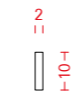
-60 Black EPDM



G99019-60  
ADHESIVE

glass – external gaskets

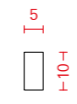
-61 Neoprene -62 PVC



G99101-61  
ADHESIVE



G99102-61  
ADHESIVE



G99103-62  
ADHESIVE

glass – internal gaskets

-61 Neoprene



G99201-61  
ADHESIVE



G99202-61  
ADHESIVE



G99203-61  
ADHESIVE

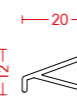


G99204-61  
ADHESIVE

weather bars

cover caps

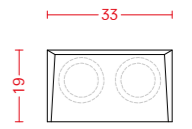
-00 Aluminum -02 Galvanized steel -35 Black



A99001-00  
L 5800 mm



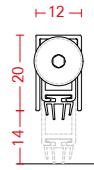
D99901-02  
SCREW FOR  
A99001-00



A99201-35

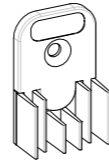
automatic drop seal

-35 Black -41 Grey RAL 7035 -62 PVC



AUTOMATIC DROP SEAL

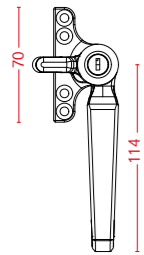
G99501-62	330 mm	(shortenable up to 50 mm)	G99506-62	830 mm	(shortenable up to 200 mm)
G99502-62	430 mm	(shortenable up to 135 mm)	G99507-62	930 mm	(shortenable up to 200 mm)
G99503-62	530 mm	(shortenable up to 200 mm)	G99508-62	1030 mm	(shortenable up to 200 mm)
G99504-62	630 mm	(shortenable up to 200 mm)	G99509-62	1130 mm	(shortenable up to 200 mm)
G99505-62	730 mm	(shortenable up to 200 mm)	G99510-62	1230 mm	(shortenable up to 200 mm)



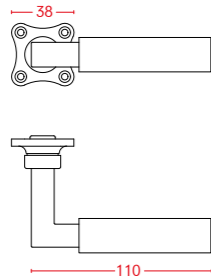
G99511-35 BLACK  
G99511-41 GREY RAL 7035  
SIDEWARD COVER CAP FOR DROP-DOWN SEAL

fittings examples – see accessories chapter and Handles Catalogue for details

SC Satin chrome SN Satin nickel

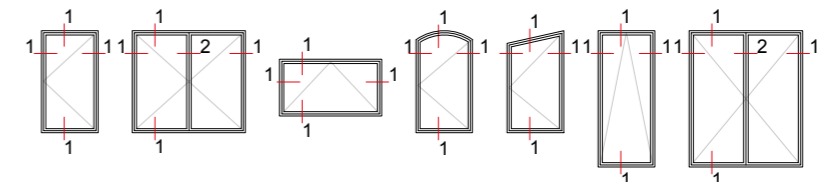
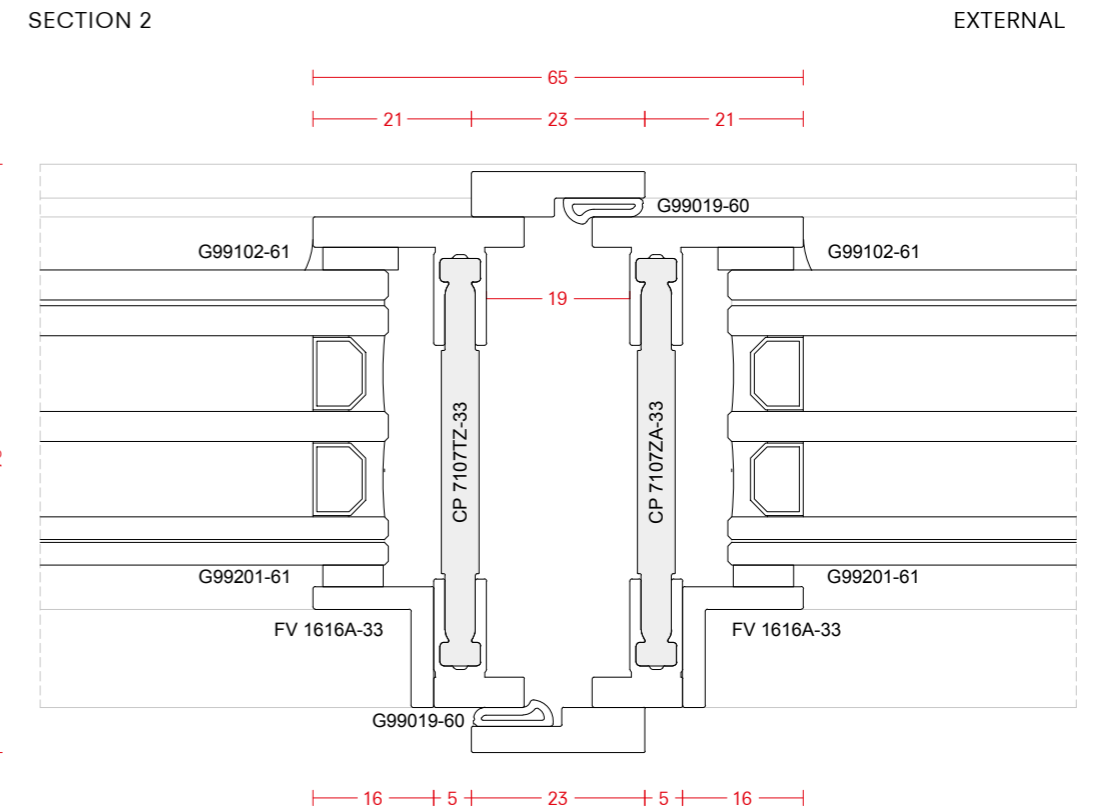
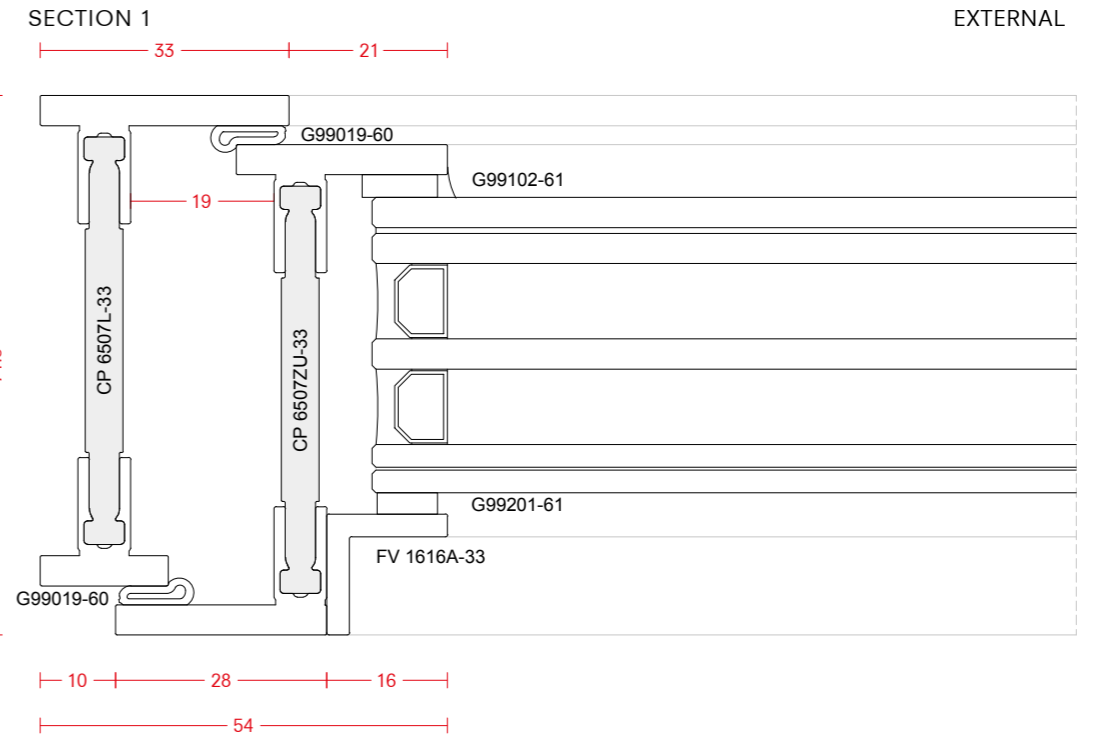


700205 SC  
CLASSIC HANDLE  
HERITAGE COLLECTION



750010 SN  
DOOR HANDLE  
TIMELESS COLLECTION

examples - open in



# BRONZO FINESTRA

BronzoFinestra features the same minimalist design and perfect symmetries as the FerroFinestra family. The material is a noble metal: Architectural Bronze is a copper alloy intended for the most distinguished uses. It also provides outstanding technical performance, for windows and doors that enhance the value of the overall architectural project.

B40 | Architectural bronze  
B75 TB | Architectural bronze

## BronzoFinestra B40

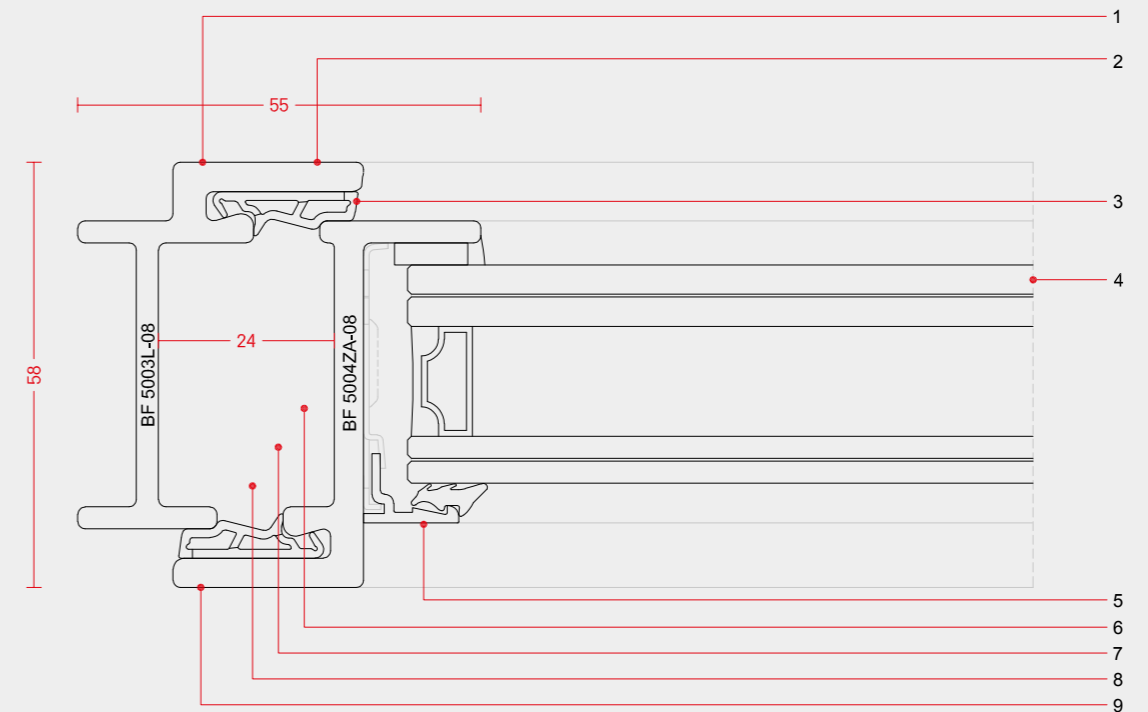
BronzoFinestra B40 is a complete system that features the same distinctive and evocative design as the FerroFinestra series, in the prestigious architectural bronze. Like all copper alloys, architectural bronze is a living material, subject to natural oxidation and therefore acquiring unique and original shades over time.

B40 faithfully replaces doors and windows from different historical periods, or gives an evocative twist to modern architecture. The range of profiles allows for the manufacture of many type of opening, and is enriched by a wide choice of traditional and modern design accessories. B40 is also appreciated for high-end internal partitions.



### MAIN FEATURES

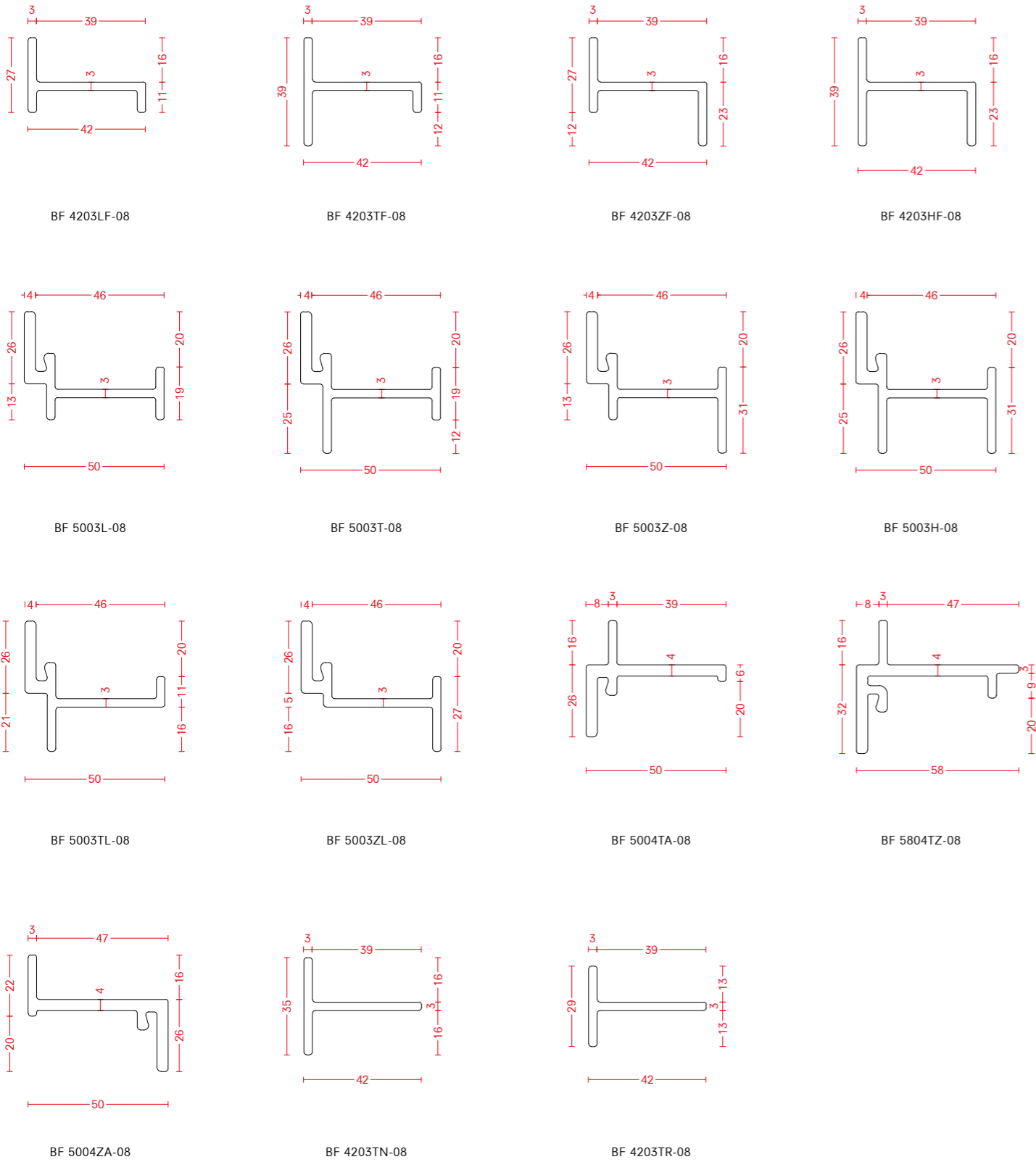
- |  |   |
|--|---|
| 1. solid architectural bronze extruded profiles, with a thickness up to 4 mm | contemporary and reproduced from original designs of the modern era                         |
| 2. external and internal overlapping sightlines                              | 7. compatible with concealed fittings   |
| 3. self-adhesive non-shrinking gaskets                                       | 8. side-hung, top-hung and bottom-hung windows, pivoting windows, sliding and folding doors |
| 4. profile depth compatible with insulating glass up to 31 mm                | 9. natural finish, or burnished in different shades   |
| 5. wide choice of glazing beads  |   |
| 6. wide range of exclusive fittings, both                                    |   |



drawing scale 1:1

architectural bronze profile range – bar length 5800 mm

-08 Architectural bronze



angular glazing beads – bar length 4000 mm

-03 Stainless steel AISI 304 2B -08 Architectural bronze



fixing screws

angular glazing beads – bar length 5800 mm

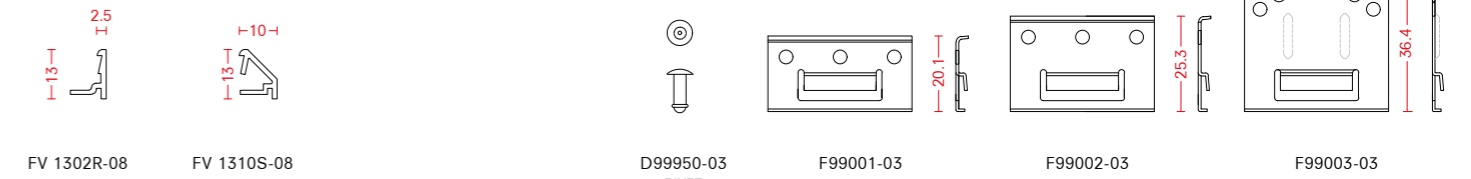
-03 Stainless steel AISI 304 2B -08 Architectural bronze



fixing screws

snap-on glazing beads – bar length 4000 mm

-03 Stainless steel AISI 304 2B -08 Architectural bronze



clips

false muntins – bar length 3000 mm

-08 Architectural bronze -74 Double adhesive tape



double sided tape

rebate gaskets

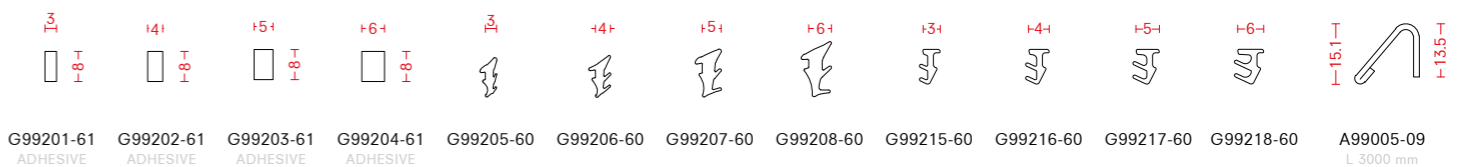
-60 Black EPDM -61 Neoprene -62 PVC



glass – external gaskets

glass – internal gaskets

-09 Brass -60 Black EPDM -61 Neoprene

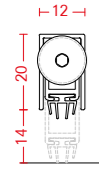


weather bars



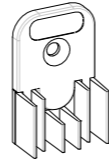
automatic drop seal

-35 Black -41 Grey RAL 7035 -62 PVC



AUTOMATIC DROP SEAL

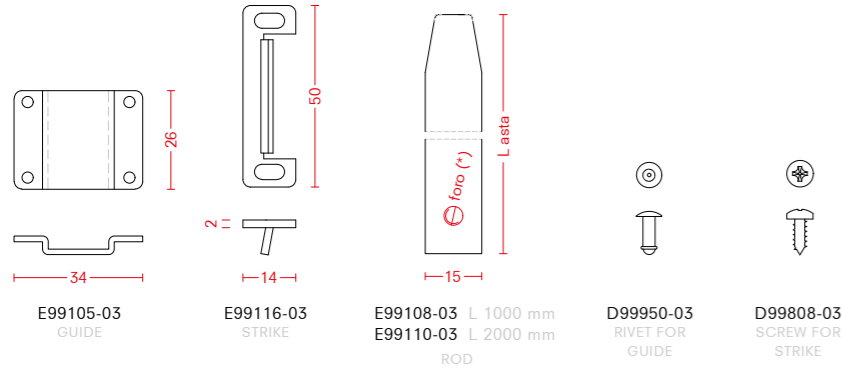
G99501-62	330 mm	(shortenable up to 50 mm)	G99506-62	830 mm	(shortenable up to 200 mm)
G99502-62	430 mm	(shortenable up to 135 mm)	G99507-62	930 mm	(shortenable up to 200 mm)
G99503-62	530 mm	(shortenable up to 200 mm)	G99508-62	1030 mm	(shortenable up to 200 mm)
G99504-62	630 mm	(shortenable up to 200 mm)	G99509-62	1130 mm	(shortenable up to 200 mm)
G99505-62	730 mm	(shortenable up to 200 mm)	G99510-62	1230 mm	(shortenable up to 200 mm)



G99511-35 BLACK  
G99511-41 GREY RAL 7035  
SIDEWARD COVER CAP FOR DROP-DOWN SEAL

rod

-03 Stainless steel AISI 304 2B



(\*) warning: customer must make the hole after cutting the rod to size

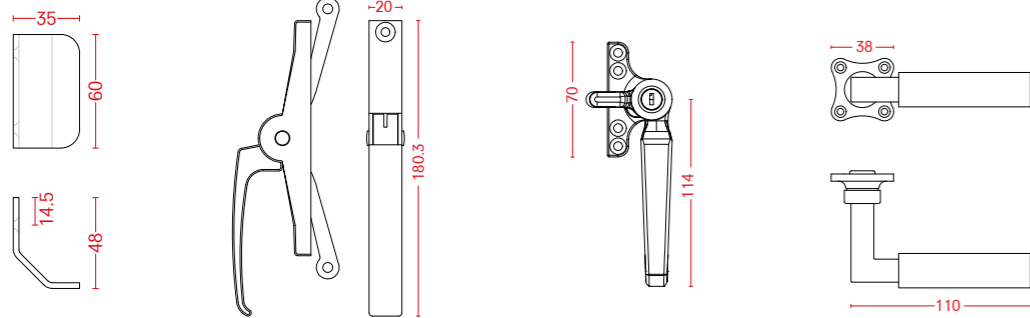
K99031 - SET RODS 1000+2000		
Code	Quantity	Description
E99108-03	1	Rod 1000 mm
E99110-03	1	Rod 2000 mm
E99105-03	5	Rod guide
E99116-03	2	Rod strike
D99950-03	20	Rivet for guide
D99808-03	4	Screw for strike

K99030 - SET RODS 1000+1000		
Code	Quantity	Description
E99108-03	2	Rod 1000 mm
E99105-03	4	Rod guide
E99116-03	2	Rod strike
D99950-03	16	Rivet for guide
D99808-03	4	Screw for strike

K99032 - SET RODS 2000+2000		
Code	Quantity	Description
E99110-03	2	Rod 2000 mm
E99105-03	6	Rod guide
E99116-03	2	Rod strike
D99950-03	24	Rivet for guide
D99808-03	4	Screw for strike

fittings examples – see accessories chapter and Handles Catalogue for details

-20 Satin brass DB Dark bronze PB Polished brass

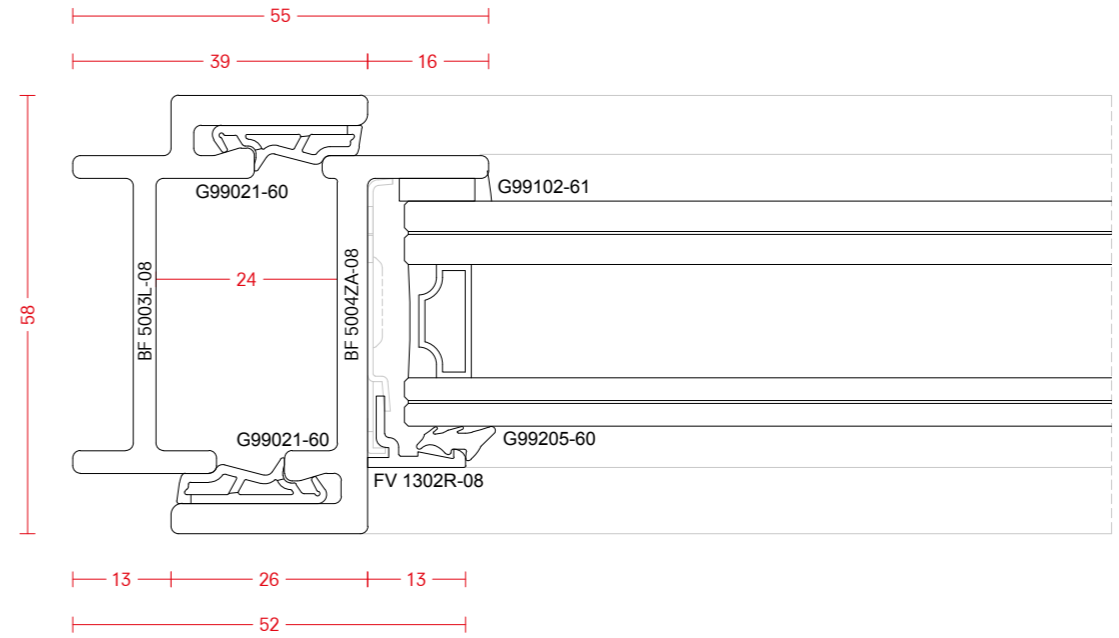


H99025-20 HANDLE OPEN OUT  
H99001-20 LEVER HANDLE NU COLLECTION  
700205 DB CLASSIC HANDLE HERITAGE COLLECTION  
750010 PB DOOR HANDLE TIMELESS COLLECTION

examples - open in

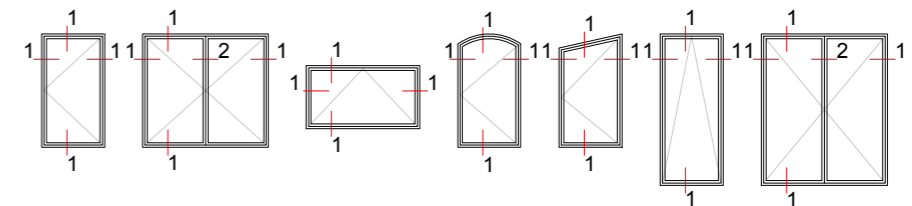
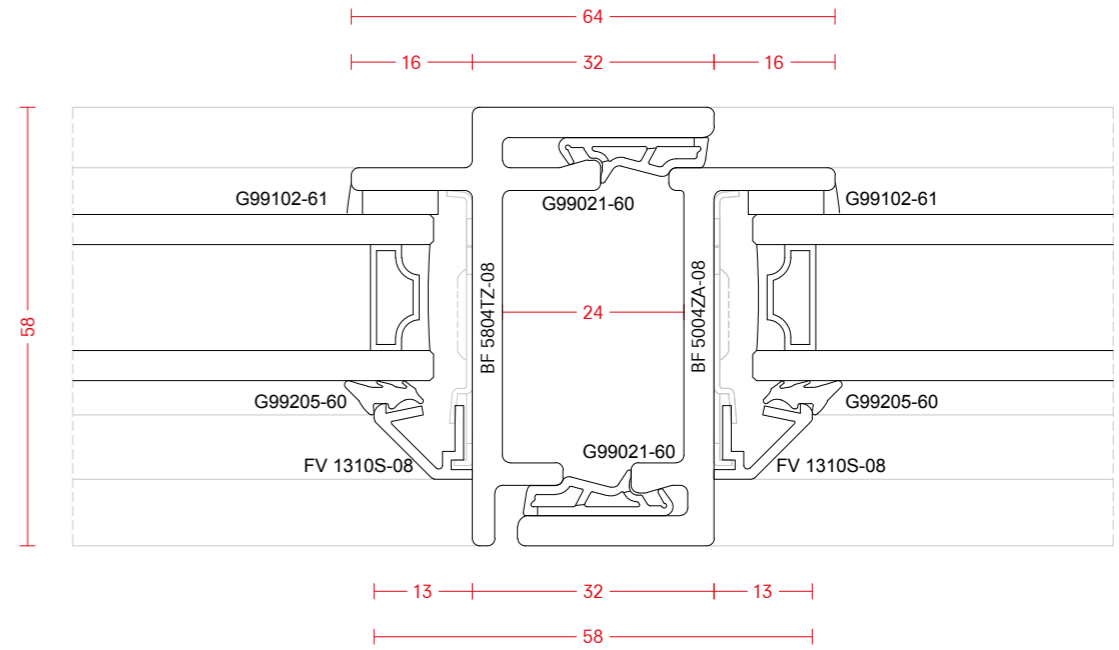
SECTION 1

EXTERNAL



SECTION 2

EXTERNAL

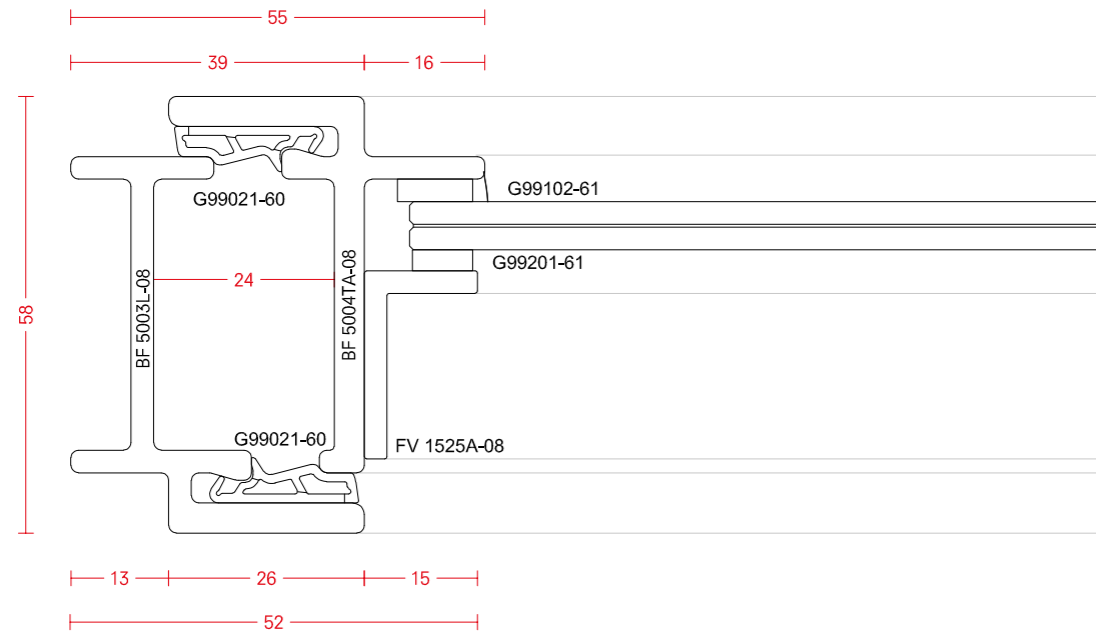


examples - open out

examples

SECTION 3

EXTERNAL



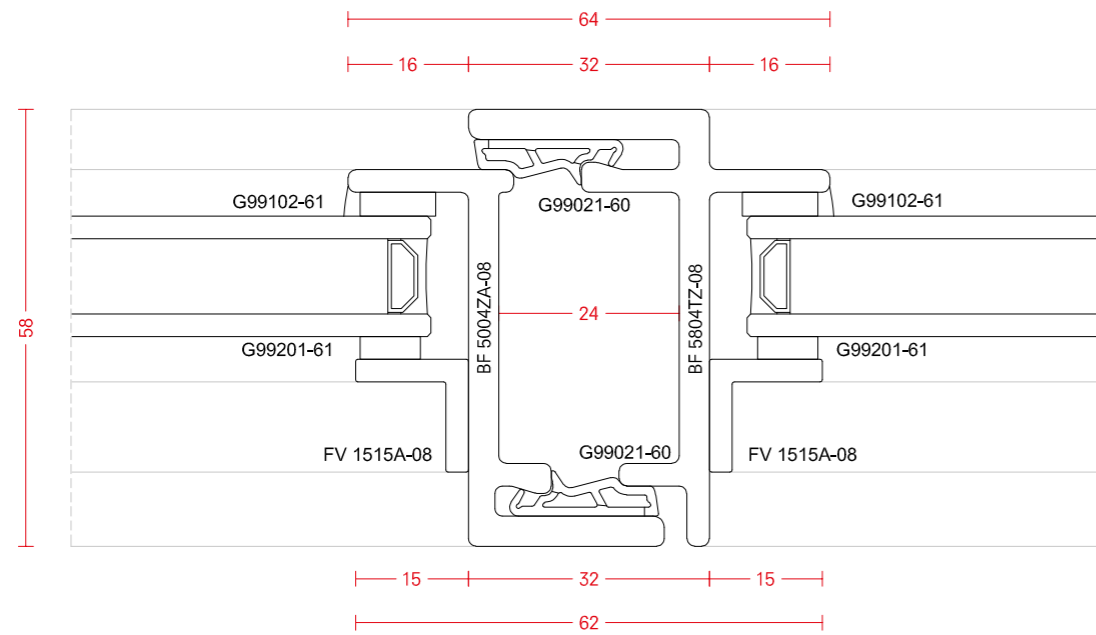
SECTION 5

EXTERNAL



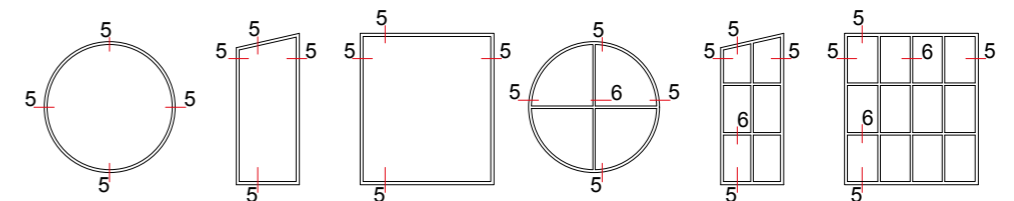
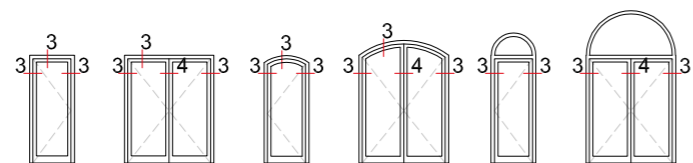
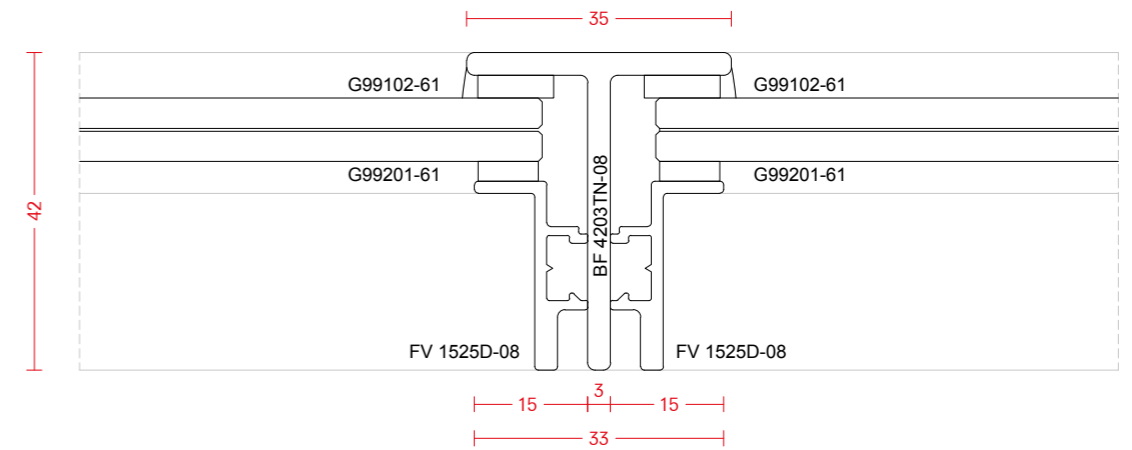
SECTION 4

EXTERNAL



SECTION 6

EXTERNAL



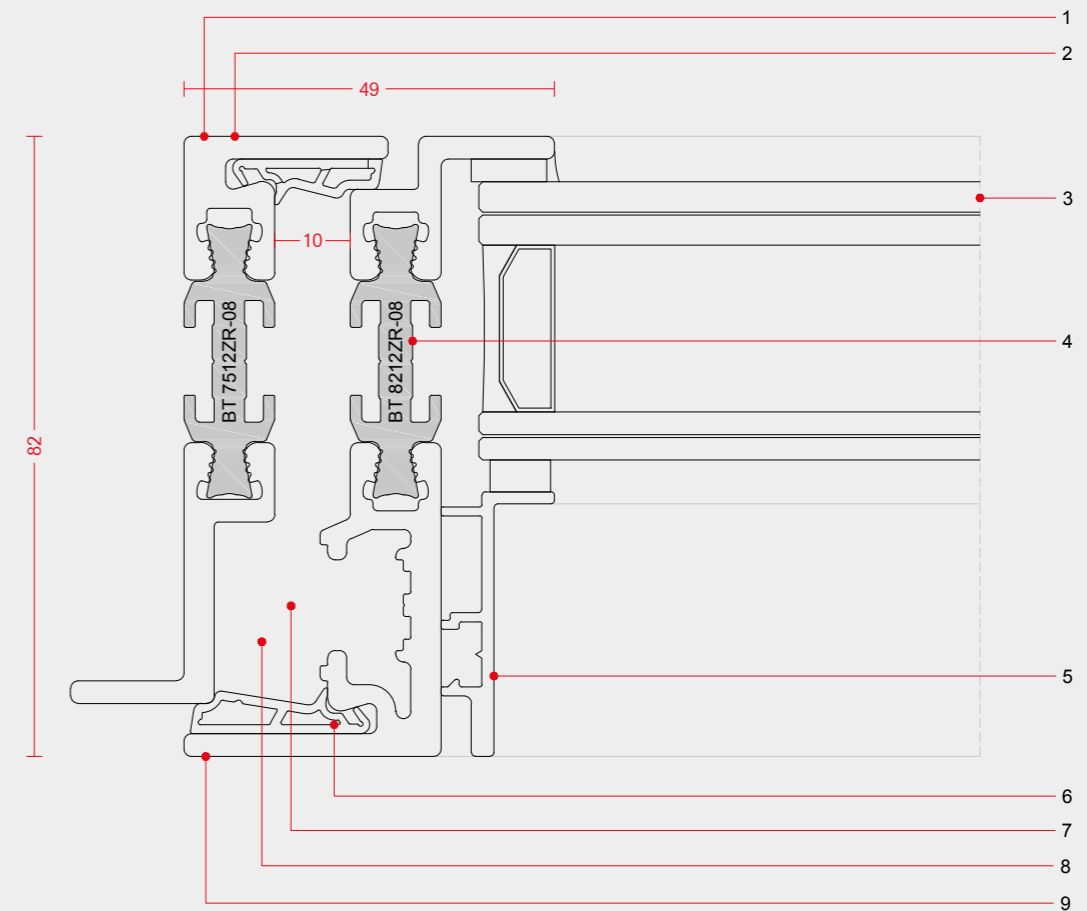
## BronzoFinestra B75 TB

A noble and timeless metal for a system featuring maximum performance. Its warm tones and handcrafted finishes make it unique. The design the new B75 TB can be either flush or overlapping and can accommodate high performance glazing, while the glass fibre reinforced polyamide insulator provides excellent thermal values. The B75 TB system thus satisfies the most demanding projects, in residential, institutional and commercial projects.



### MAIN FEATURES

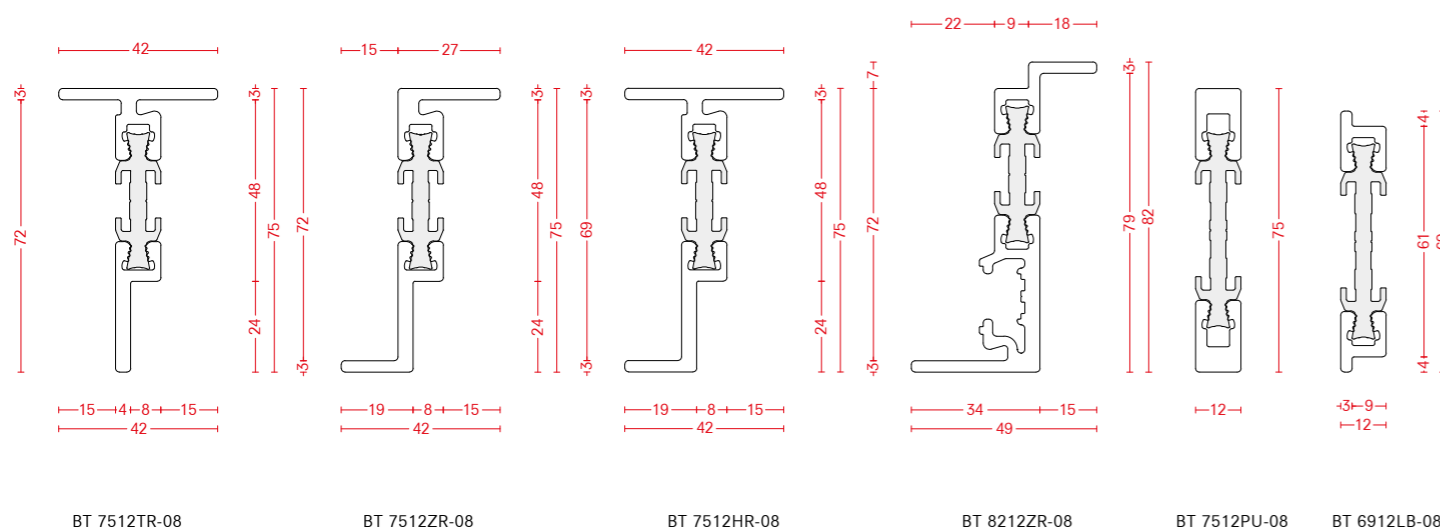
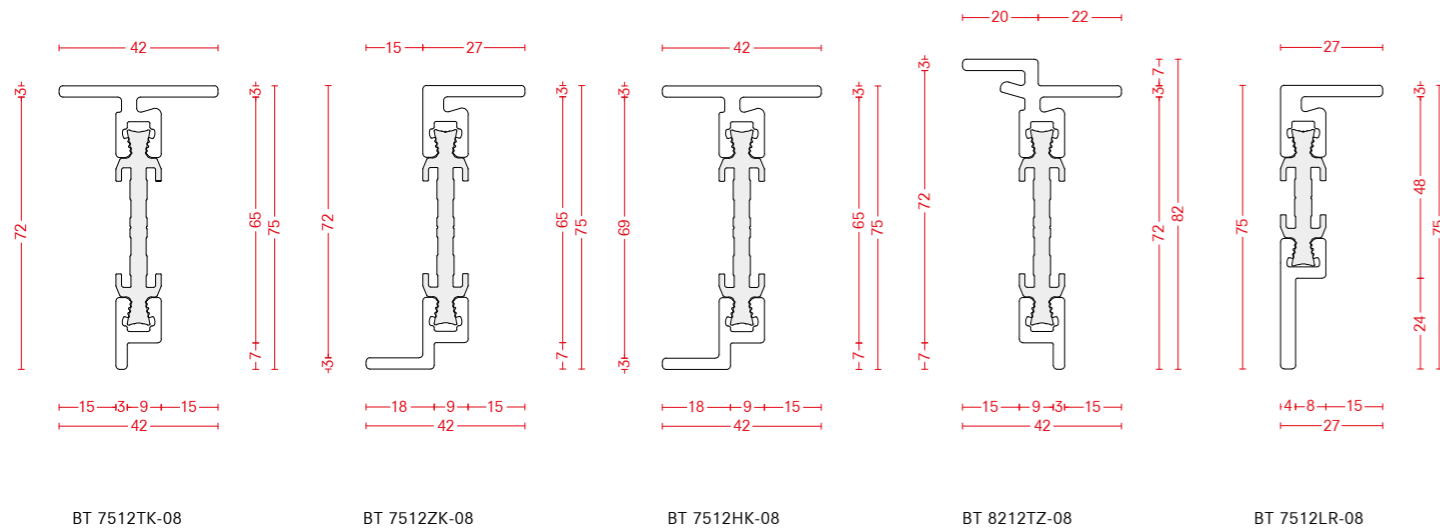
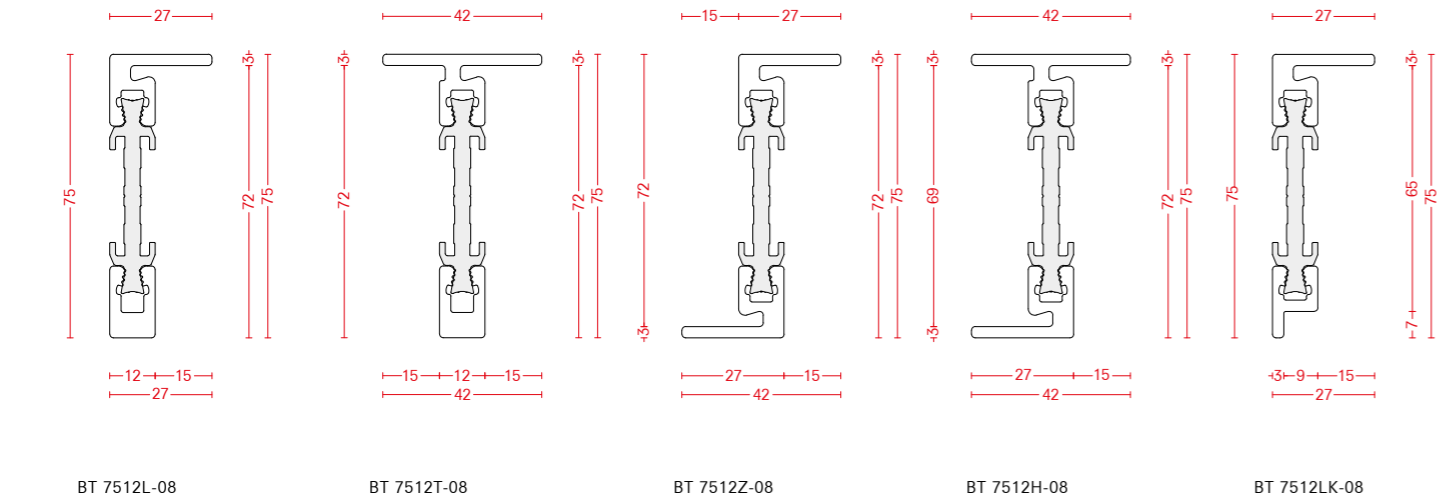
- |   |  |
|---|--|
| 1. solid architectural bronze extruded profiles   | 6. EPDM co-extruded sealing gaskets  |
| 2. can be both internally and externally flush or overlapping, or externally flush and internally overlapping | 7. wide choice of specific fittings, including both visible and concealed hinges                           |
| 3. profile depth compatible with insulating glass up to 55 mm   | 8. side-hung, top-hung and bottom-hung windows, tilt and turn, pivoting windows, sliding and folding doors |
| 4. fiberglass-reinforced polyamide insulator  | 9. natural finish, or burnished in different shades  |
| 5. wide choice of glazing beads, rectangular, triangular and double "L" shape                                 |  |



drawing scale 1:1

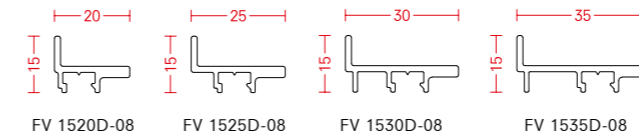
architectural bronze profile range – bar length 5800 mm

-08 Architectural bronze

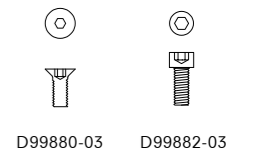


angular glazing beads – bar length 5800 mm

-03 Stainless steel AISI 304 2B    -08 Architectural bronze

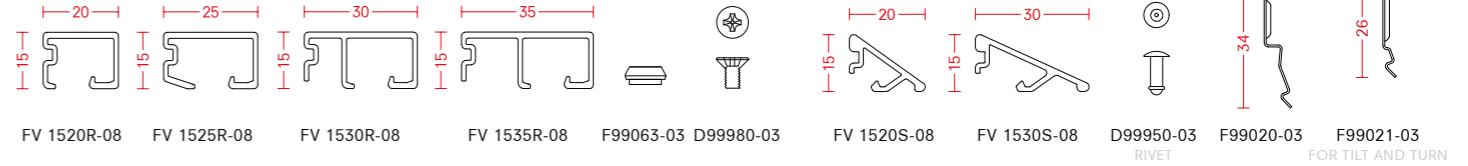


fixing screws



snap-on glazing beads – bar length 5800 mm

-03 Stainless steel AISI 304 2B    -08 Architectural bronze

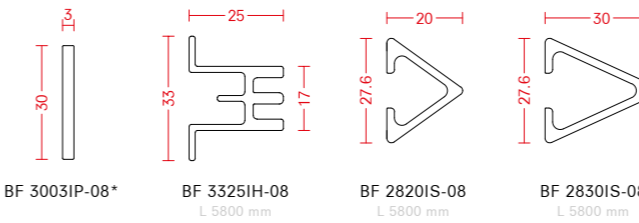


clips

false muntins – bar length 3000 mm

-08 Architectural bronze    -74 Double adhesive tape

\*on request - minimum quantity required



double sided tape



rebate gaskets

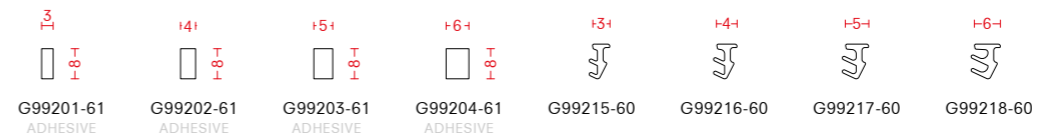
-60 Black EPDM    -61 Neoprene    -62 PVC



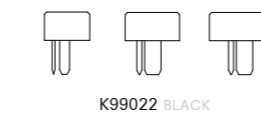
glass – external gaskets

glass – internal gaskets

-60 Black EPDM    -61 Neoprene



end pieces for second leaf



weather bars

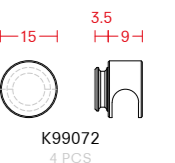
-09 Brass    -60 Black EPDM



drainage profile

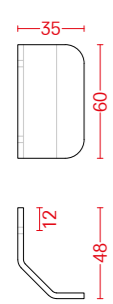


cover caps

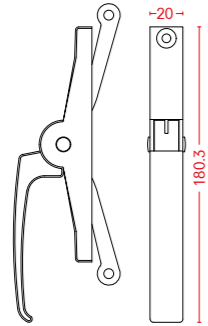


fittings examples – see accessories chapter and Handles Catalogue for details

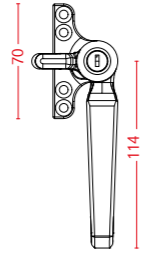
-20 Satin brass DB Dark bronze PB Polished brass



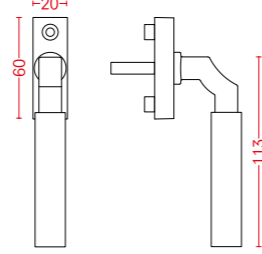
H99020-20  
HANDLE  
OPEN OUT



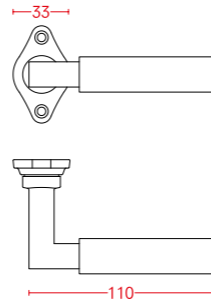
H99001-20  
LEVER HANDLE  
NU COLLECTION



700205 DB  
CLASSIC HANDLE  
HERITAGE COLLECTION

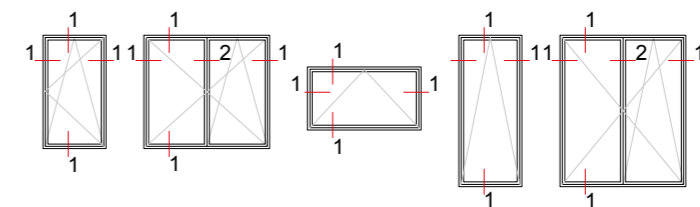
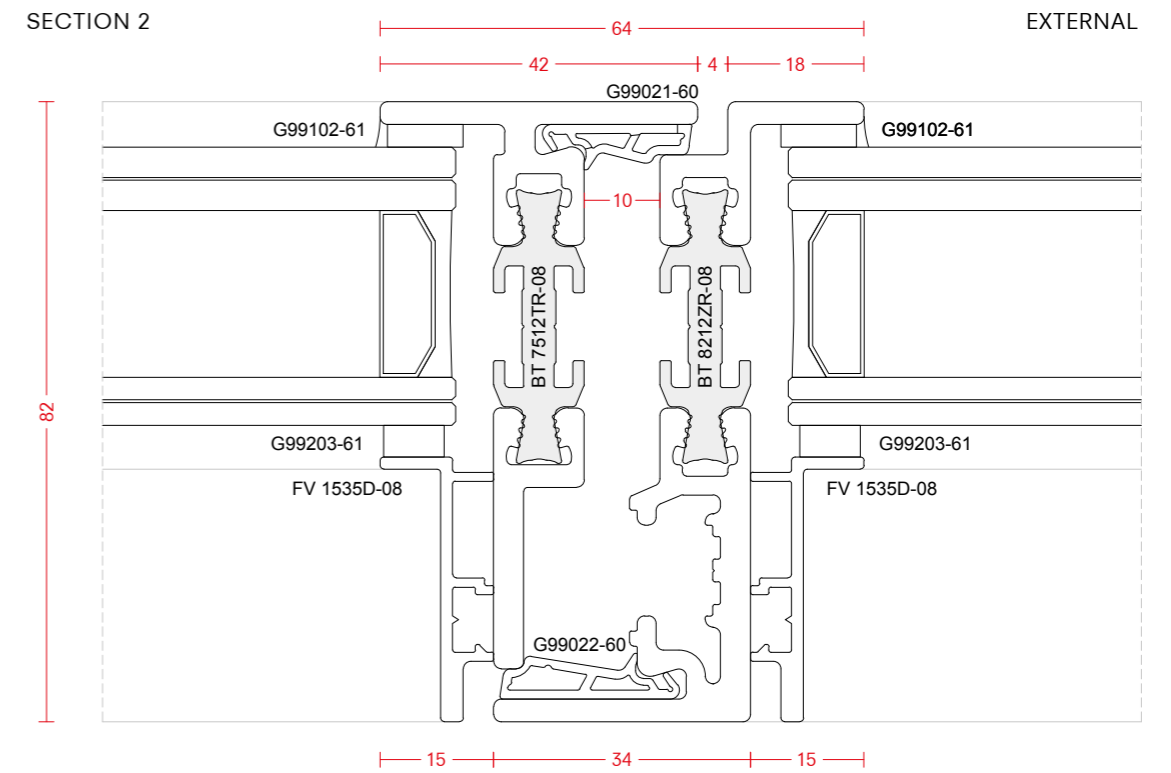
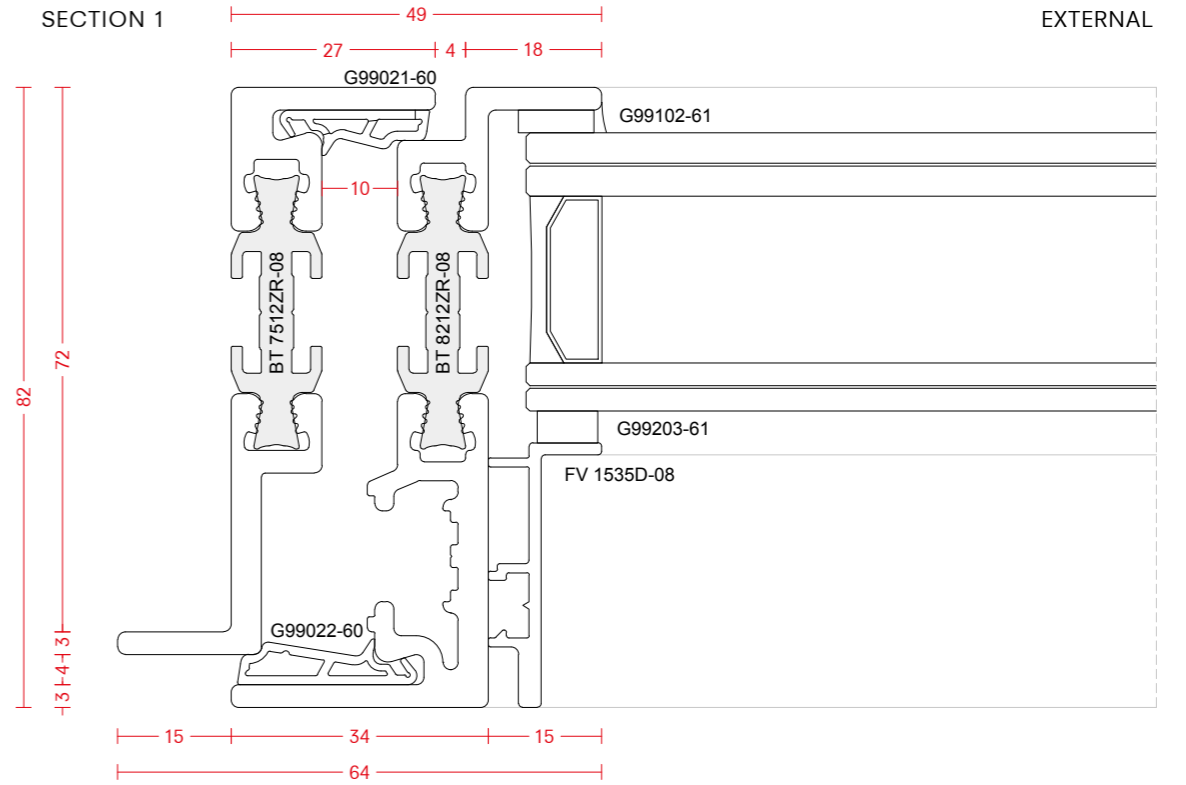


780010 PB  
TILT AND TURN HANDLE  
TIMELESS COLLECTION



750030 PB  
DOOR HANDLE  
TIMELESS COLLECTION

examples - open in





# MOGS 2 mm

Mogs 2 mm has been studied to meet the needs of contemporary architecture, requiring minimalist windows and doors, which must be at the same time resistant, thermally insulated and compatible with very thick glass panes. Available in galvanized steel, stainless steel, Cor-Ten steel and bright steel, M65 TB profiles are the only thermal break profiles in 2 mm thick steel worldwide.

M65 TB | Galvanized steel  
M65 TB | Stainless steel  
M65 TB | Cor-Ten steel  
M65 TB | Bright steel  
Basic | Galvanized steel – Bright steel

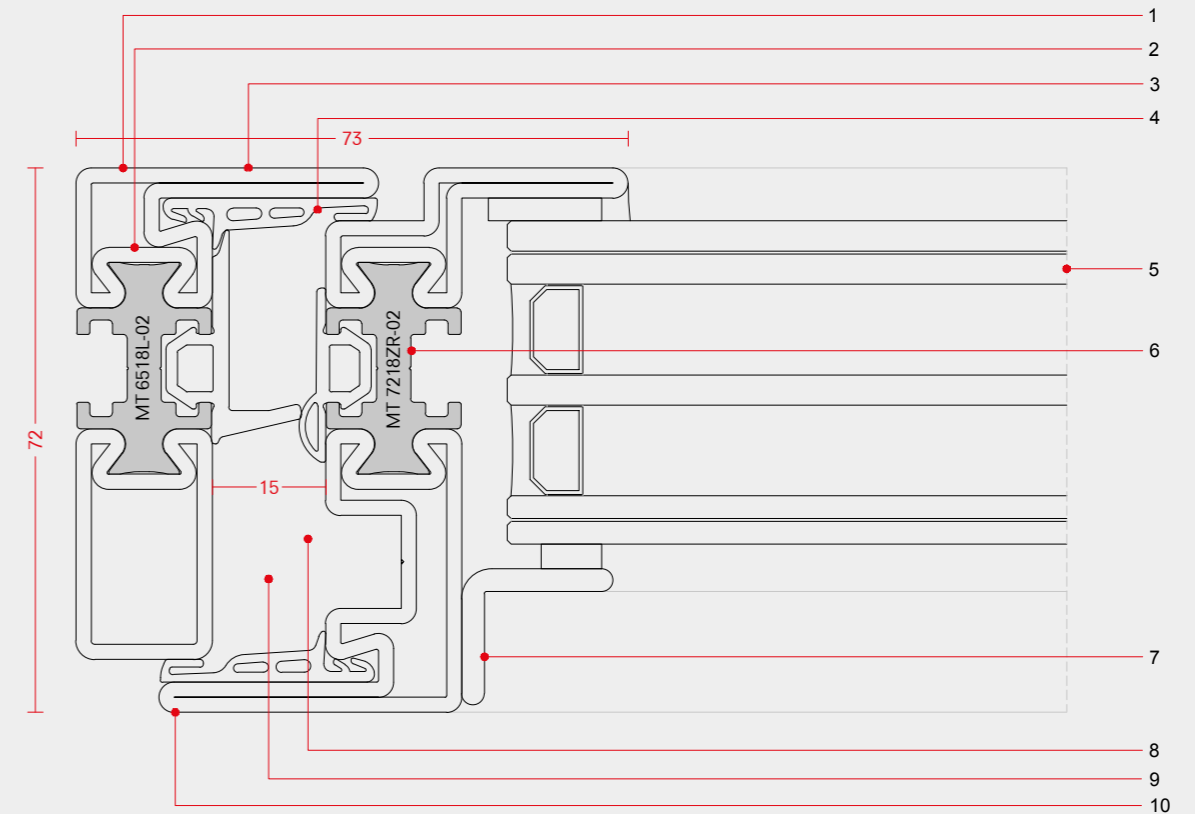
## M65 TB Galvanized steel

The M65 TB series allows the manufacturing of large openings with a streamlined visual impact and maximum stability. M65 TB profiles have a section in view of only 18 mm and are made from solid 2 mm thick sheet metal, with thermal break. The depth of the profile, from 65 to 72 mm, is designed to achieve high moments of inertia and to accommodate the latest generation of insulating glass. The PA 6.6 polyamide insulating core guarantees excellent performance in terms of energy saving.



### MAIN FEATURES

- |  |  |
|--|--|
| 1. 2 mm tubular profile in galvanized steel with high moments of inertia | 6. thermal barrier in PA 6.6 polyamide   |
| 2. continuously welded profile, high mechanical performance              | 7. choice of different glazing beads   |
| 3. external flush and internal overlapping sightlines                    | 8. wide choice of specific fittings, including both visible and concealed hinges                                 |
| 4. mechanically fixed rebate gaskets                                     | 9. any kind of openings: side-hung, top-hung and bottom-hung windows, tilt and turn, pivoting and folding doors. |
| 5. profile depth compatible with high performance insulating glass       | 10. surface finishes in any customized or RAL colours, for a great planning freedom                              |

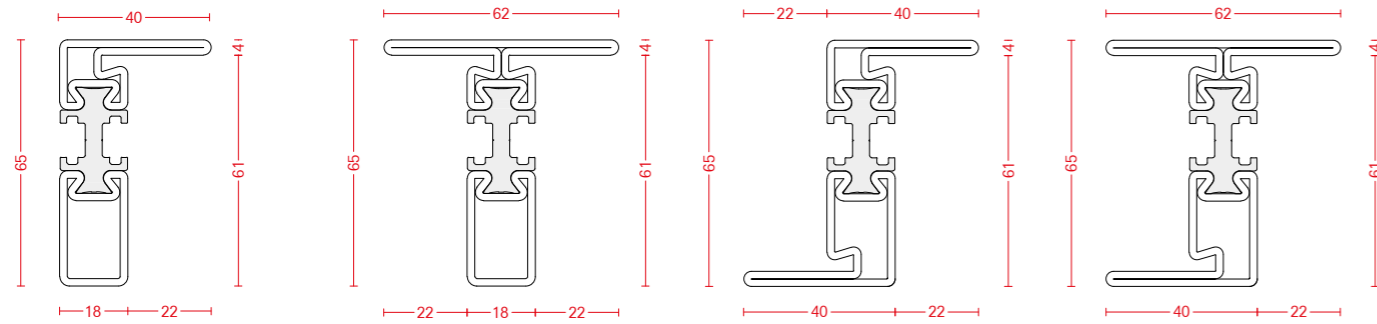


drawing scale 1:1

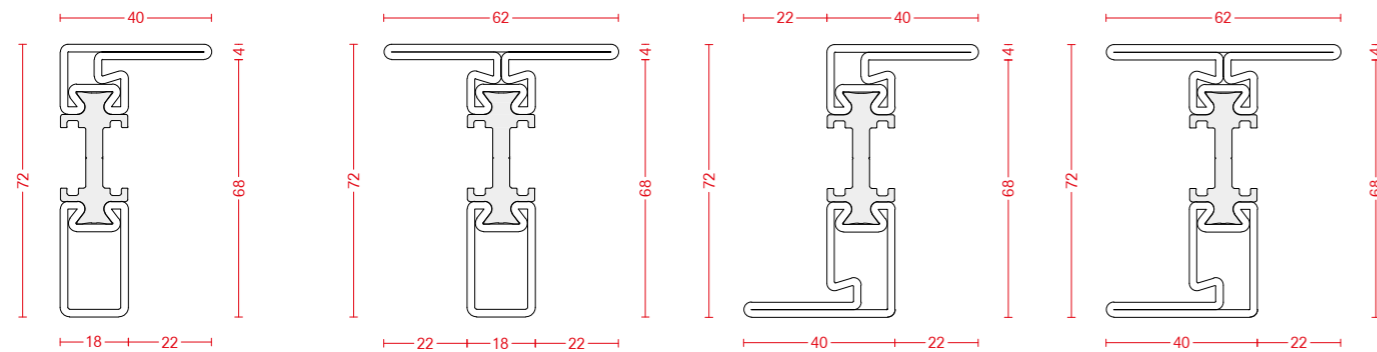


profile range – bar length 5800 mm

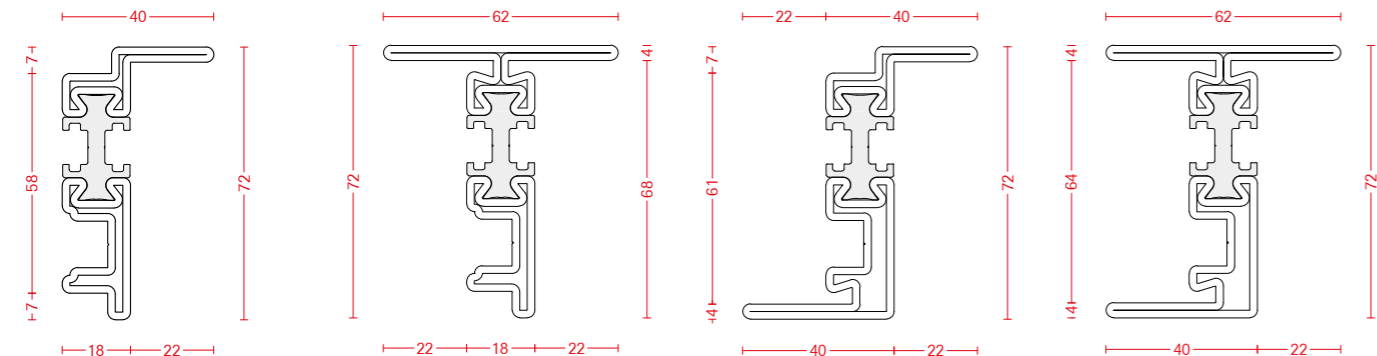
-02 Galvanized steel -14 Laser welded and sand blasted steel



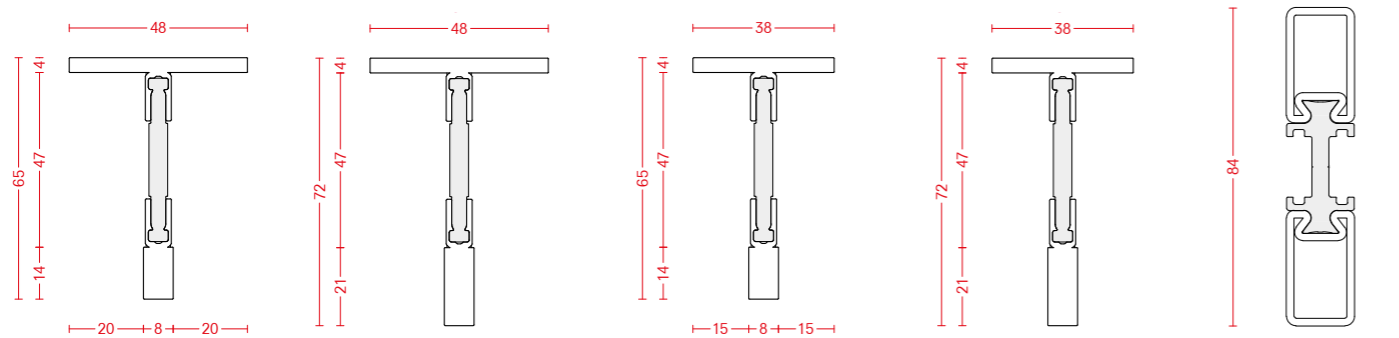
MT 6518L-02 MT 6518T-02 MT 6518Z-02 MT 6518H-02



MT 7218LF-02 MT 7218TF-02 MT 7218ZF-02 MT 7218HF-02



MT 7218LR-02 MT 7218TZ-02 MT 7218ZR-02 MT 7218HZ-02

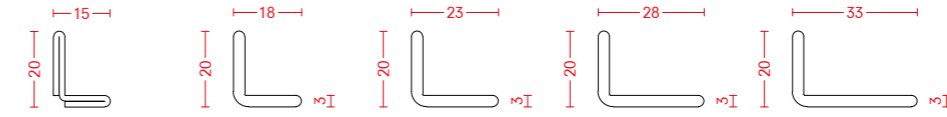


MT 6507TN-14 MT 7207TN-14 MT 6507TR-14 MT 7207TR-14 MT 8418SU-02

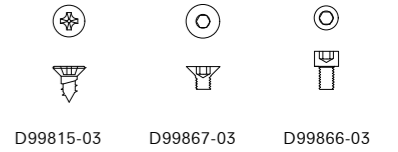
angular glazing beads – bar length 5800 mm

-02 Galvanized steel -03 Stainless steel AISI 304 2B

\*on request - minimum quantity required



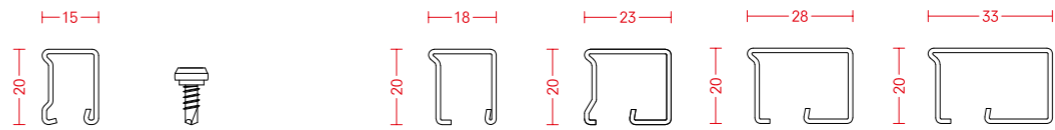
FV 2015A-02 L 3000 mm L 4000 mm\* FV 2018L-02 FV 2023L-02 FV 2028L-02 FV 2033L-02



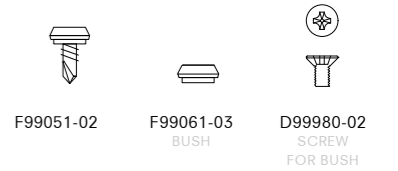
snap-on glazing beads – bar length 6000 mm

-02 Galvanized steel -03 Stainless steel AISI 304 2B

fixing screws



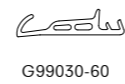
FV 2015R-02 F99054-02 SCREW FOR FV 2015R-02 FV 2018R-02 FV 2023R-02 FV 2028R-02 FV 2033R-02



rebate gaskets

-60 Black EPDM

central gasket (only for open in)

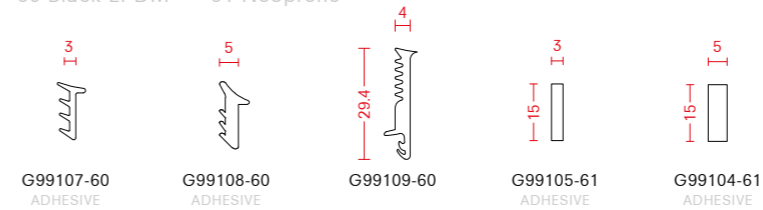


G99030-60



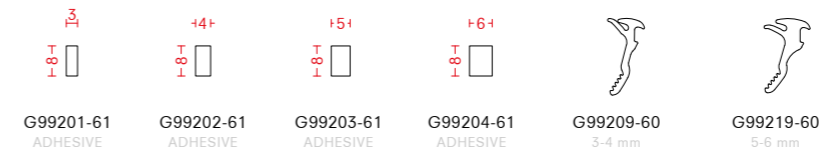
glass – external gaskets

-60 Black EPDM -61 Neoprene



glass – internal gaskets

-60 Black EPDM -61 Neoprene



weather bars

-00 Aluminum -02 Galvanized steel -35 Black -60 Black EPDM

drainage profile

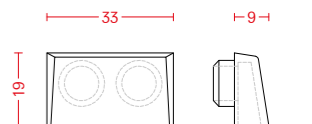
cover caps



A99001-00 L 5800 mm D99901-02 SCREW FOR A99001-00 A99007-02 L 5000 mm

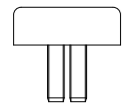


G99314-60



A99201-35

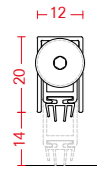
end pieces for second leaf



K99021 BLACK

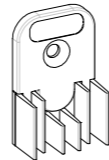
automatic drop seal

-35 Black -41 Grey RAL 7035 -62 PVC



AUTOMATIC DROP SEAL

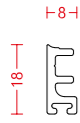
G99501-62	330 mm	(shortenable up to 50 mm)	G99506-62	830 mm	(shortenable up to 200 mm)
G99502-62	430 mm	(shortenable up to 135 mm)	G99507-62	930 mm	(shortenable up to 200 mm)
G99503-62	530 mm	(shortenable up to 200 mm)	G99508-62	1030 mm	(shortenable up to 200 mm)
G99504-62	630 mm	(shortenable up to 200 mm)	G99509-62	1130 mm	(shortenable up to 200 mm)
G99505-62	730 mm	(shortenable up to 200 mm)	G99510-62	1230 mm	(shortenable up to 200 mm)



G99511-35 BLACK  
G99511-41 GREY RAL 7035  
SIDEWARD COVER CAP FOR DROP-DOWN SEAL

folding fittings - see accessories chapter for details

-00 Aluminum -62 PVC



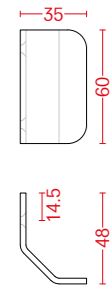
A99401-00  
BRUSH SUPPORT



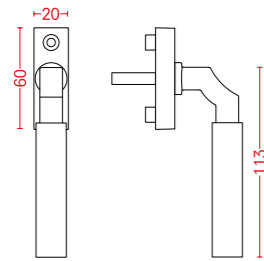
G99404-62  
BRUSH

fittings examples – see accessories chapter and Handles Catalogue for details

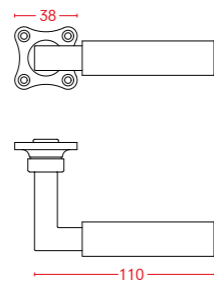
-12 Bright steel SN Satin nickel



H99025-12  
HANDLE  
OPEN OUT



780010 SN  
TILT AND TURN HANDLE  
TIMELESS COLLECTION

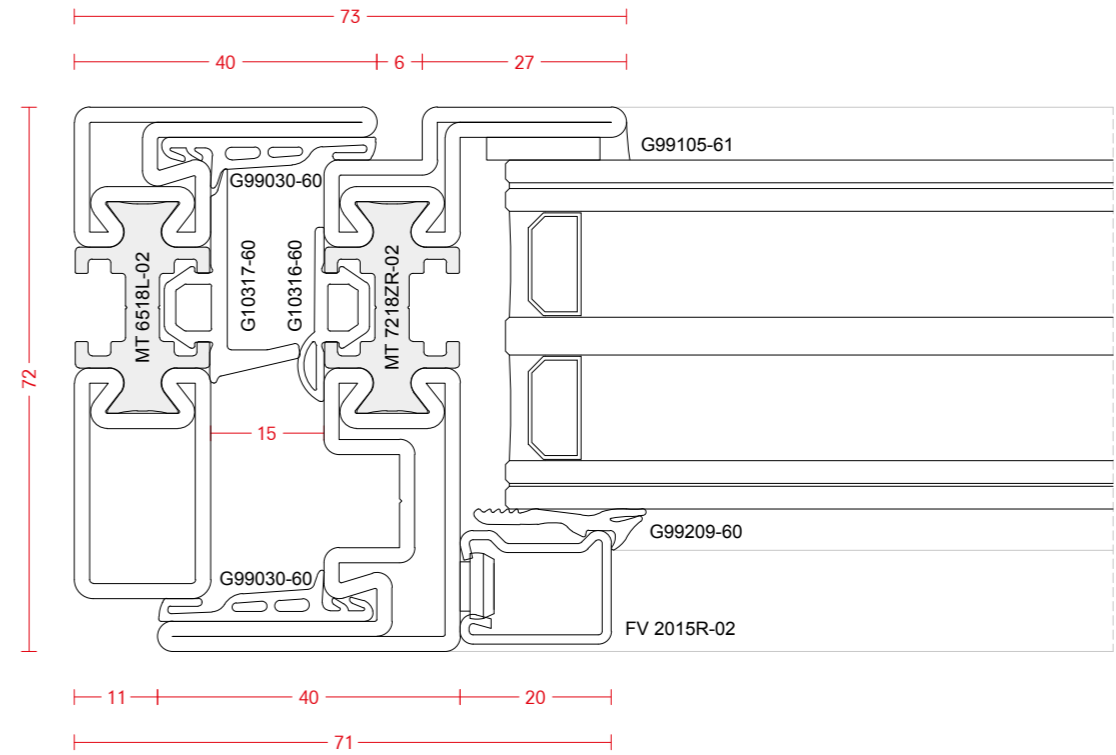


750010 SN  
DOOR HANDLE  
TIMELESS COLLECTION

examples - open in

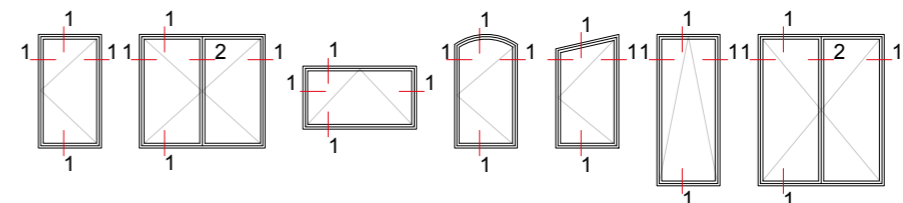
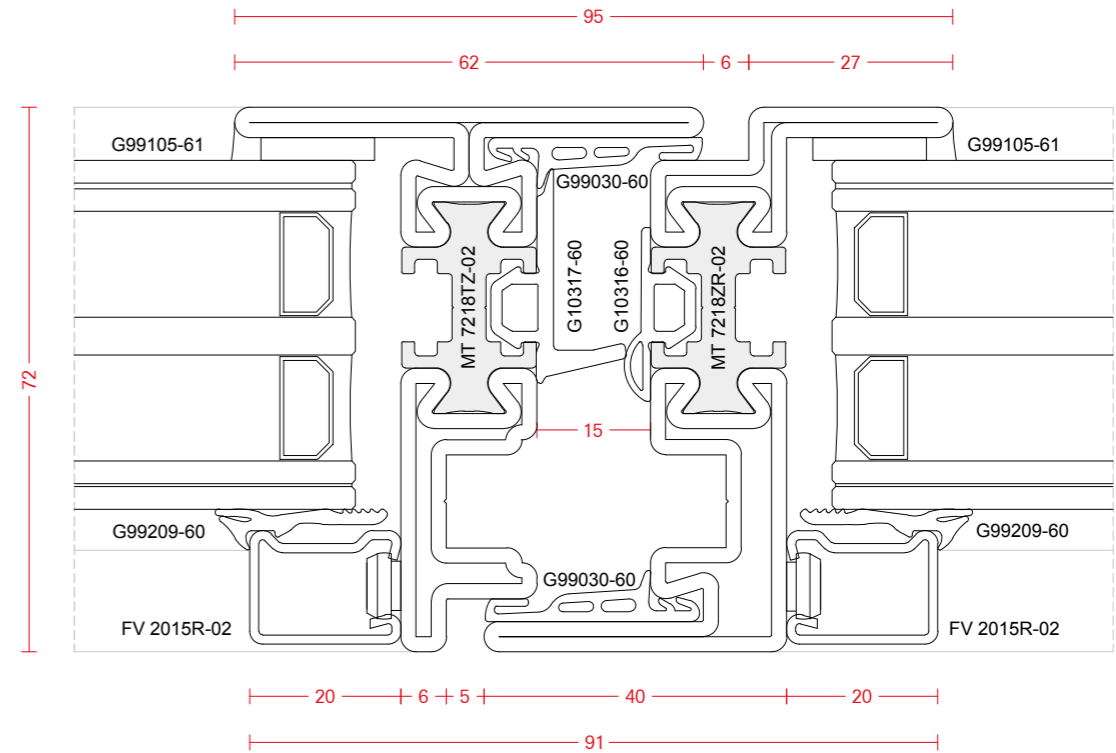
SECTION 1

EXTERNAL



SECTION 2

EXTERNAL





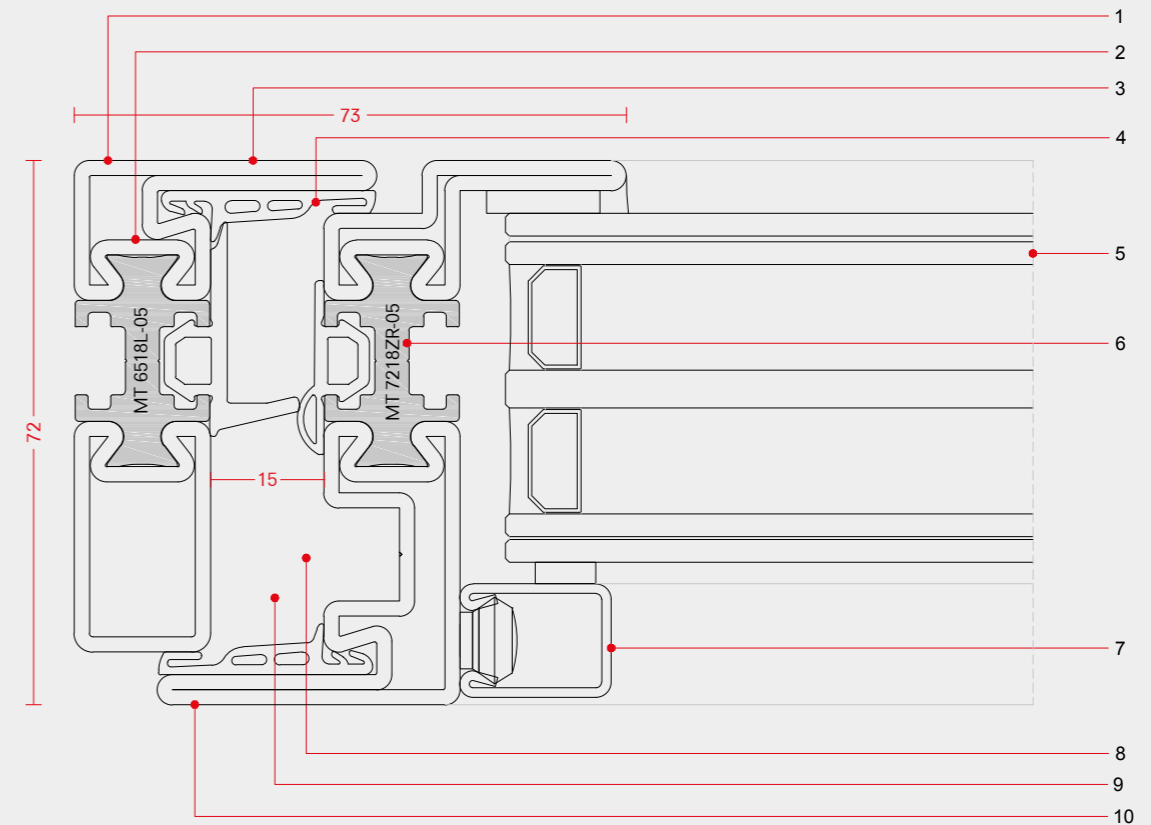
## M65 TB Stainless steel

Stainless steel has been used in architecture since its invention in the 1920s. Iconic projects such as the Chrysler (1930) and the Empire State Building (1931) have become symbols of its unalterable beauty. M65 TB stainless steel combines a 2 mm solid steel structure with the corrosion resistance and elegance of stainless steel AISI 316L, in all its fascinating finishes.



### MAIN FEATURES

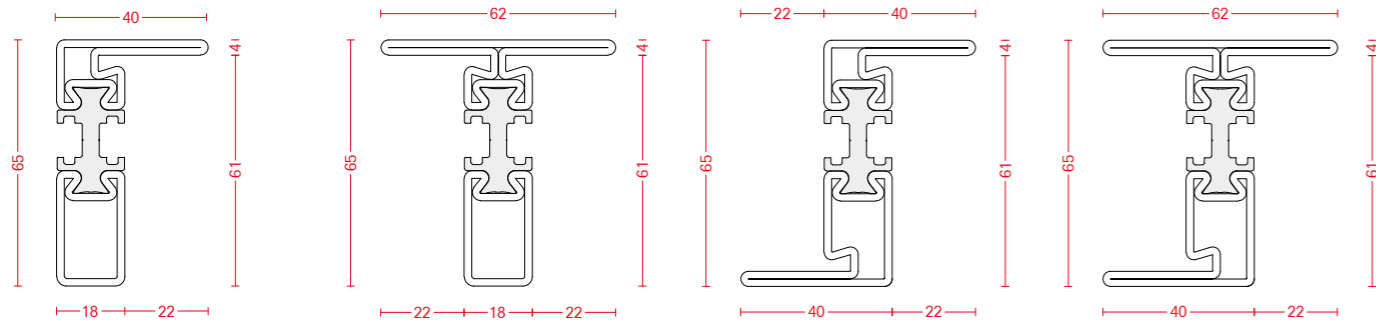
1. 2 mm tubular profile in stainless steel AISI 316L with high moments of inertia
2. continuously welded profile, high mechanical performance
3. external flush and internal overlapping sightlines
4. mechanically fixed rebate gaskets
5. profile depth compatible with high performance insulating glass
6. thermal barrier in PA 6.6 polyamide
7. wide choice of glazing beads, for different design of the window
8. wide choice of specific fittings, including both visible and concealed hinges
9. any kind of openings: side-hung, top-hung and bottom-hung windows and tilt and turn
10. surface finishes: satinizing, polishing or blackening; powder coating in any RAL or customized colours, for great planning freedom



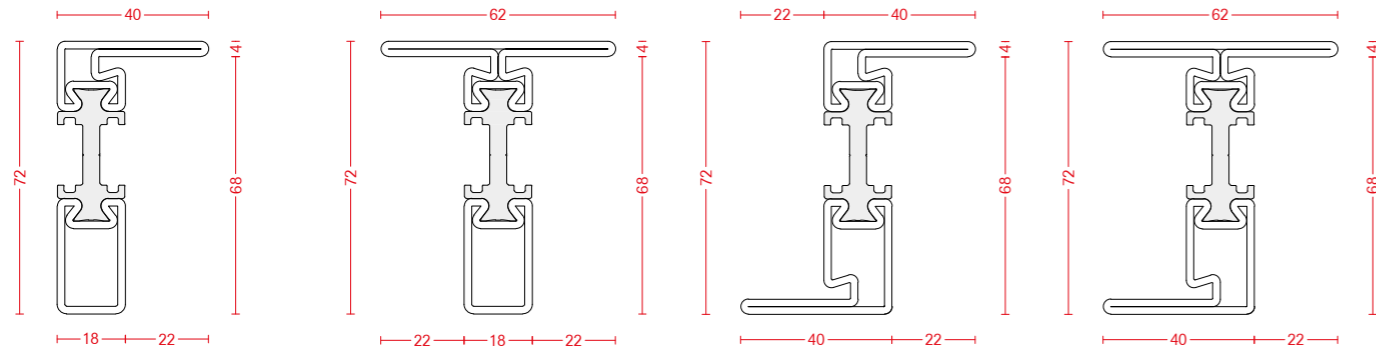
drawing scale 1:1

profile range – bar length 5800 mm

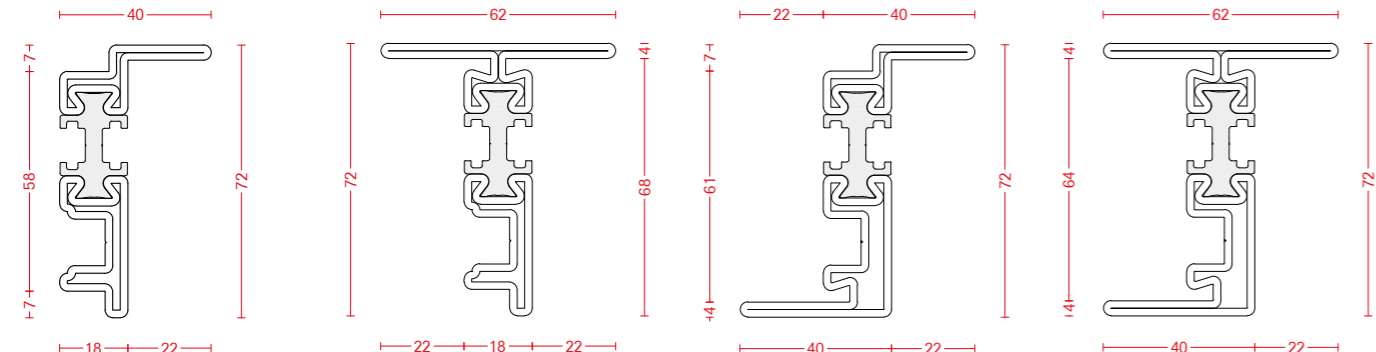
-05 Stainless steel AISI 316L 2B -34 Laser welded and sand blasted stainless steel AISI 316L



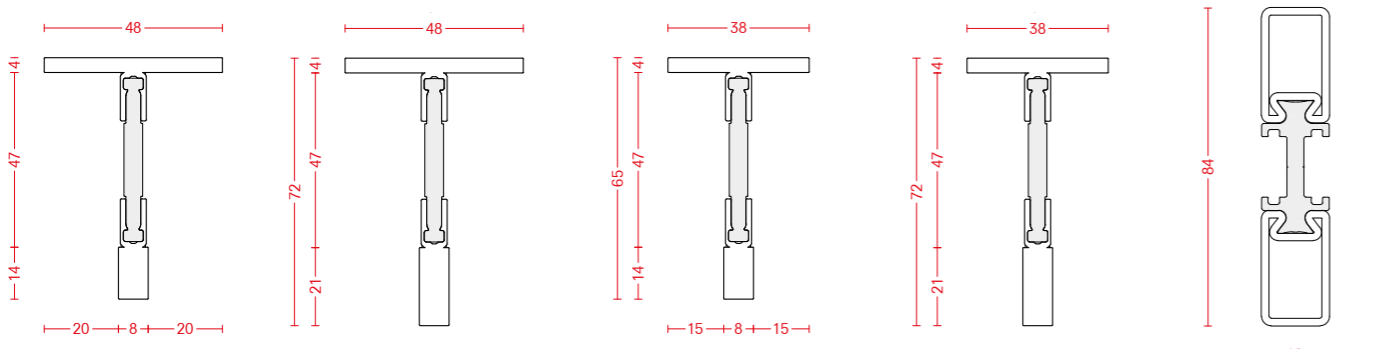
MT 6518L-05 MT 6518T-05 MT 6518Z-05 MT 6518H-05



MT 7218LF-05 MT 7218TF-05 MT 7218ZF-05 MT 7218HF-05



MT 7218LR-05 MT 7218TZ-05 MT 7218ZR-05 MT 7218HZ-05

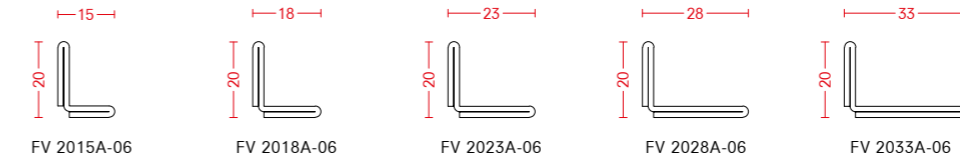


MT 6507TN-34 MT 7207TN-34 MT 6507TR-34 MT 7207TR-34 MT 8418SU-05

angular glazing beads – bar length 3000 mm

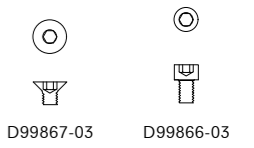
-03 Stainless steel AISI 304 2B -06 Satin stainless steel AISI 316L

\*on request - minimum quantity required



FV 2015A-06 FV 2018A-06 FV 2023A-06 FV 2028A-06 FV 2033A-06

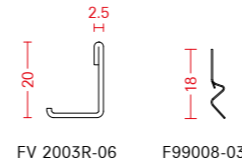
fixing screws



D99867-03 D99866-03

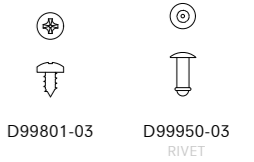
snap-on glazing beads – bar length 6000 mm

-03 Stainless steel AISI 304 2B -06 Satin stainless steel AISI 316L



FV 2003R-06 F99008-03

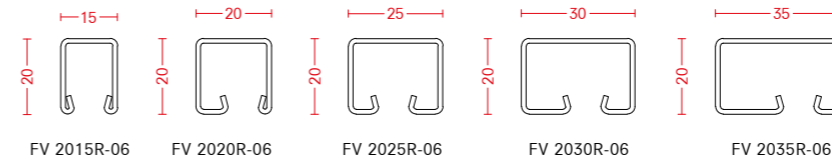
fixing screws



D99801-03 D99950-03 RIVET

snap-on glazing beads – bar length 6000 mm

-05 Stainless steel AISI 316L 2B -06 Satin stainless steel AISI 316L



FV 2015R-06 FV 2020R-06 FV 2025R-06 FV 2030R-06 FV 2035R-06

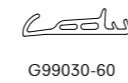
fixing screws



F99055-05

rebate gaskets

-60 Black EPDM



G99030-60

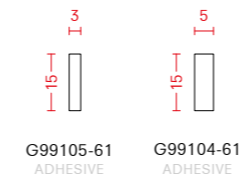
central gasket (only for open in)



G10316-60 G10317-60

glass – external gaskets

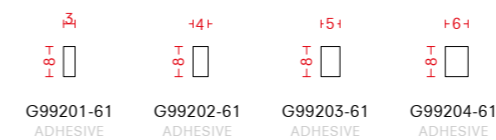
-61 Neoprene



G99105-61 ADHESIVE G99104-61 ADHESIVE

glass – internal gaskets

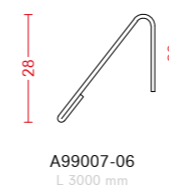
-61 Neoprene



G99201-61 ADHESIVE G99202-61 ADHESIVE G99203-61 ADHESIVE G99204-61 ADHESIVE

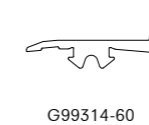
weather bars

-06 Satin stainless steel AISI 316L -35 Black -60 Black EPDM



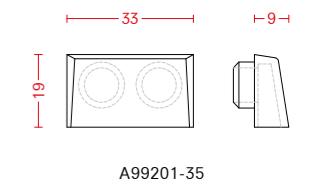
A99007-06 L 5000 mm

drainage profile



G99314-60

cover caps



A99201-35

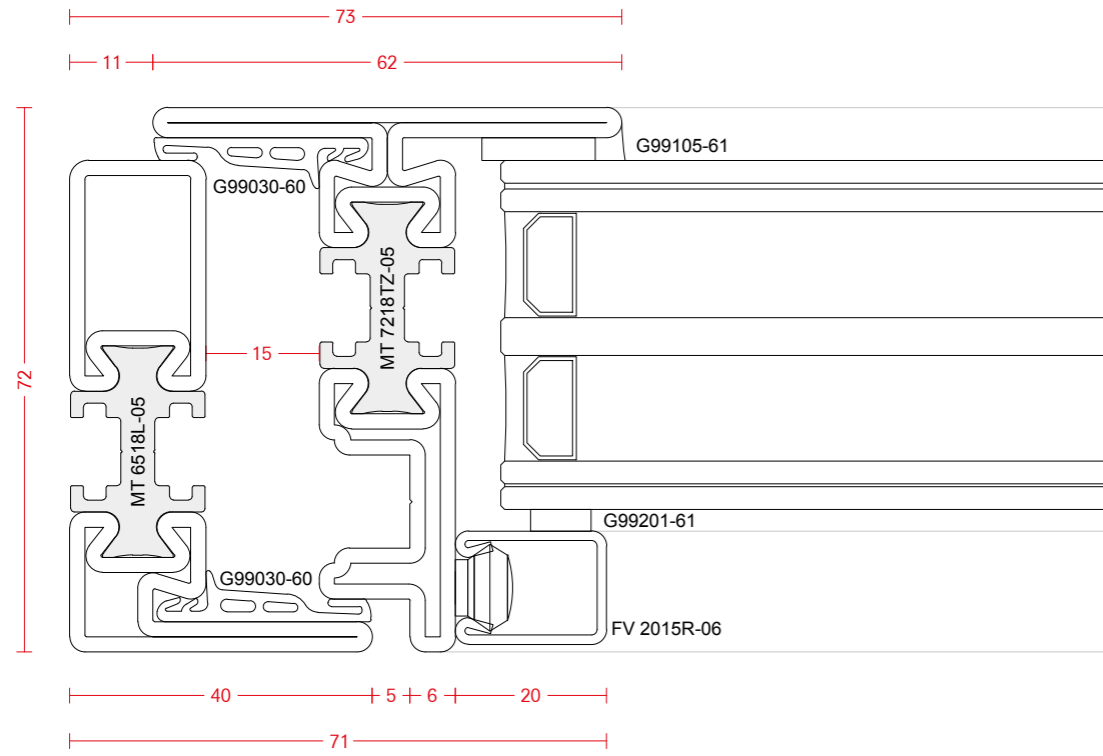


examples - open out

examples

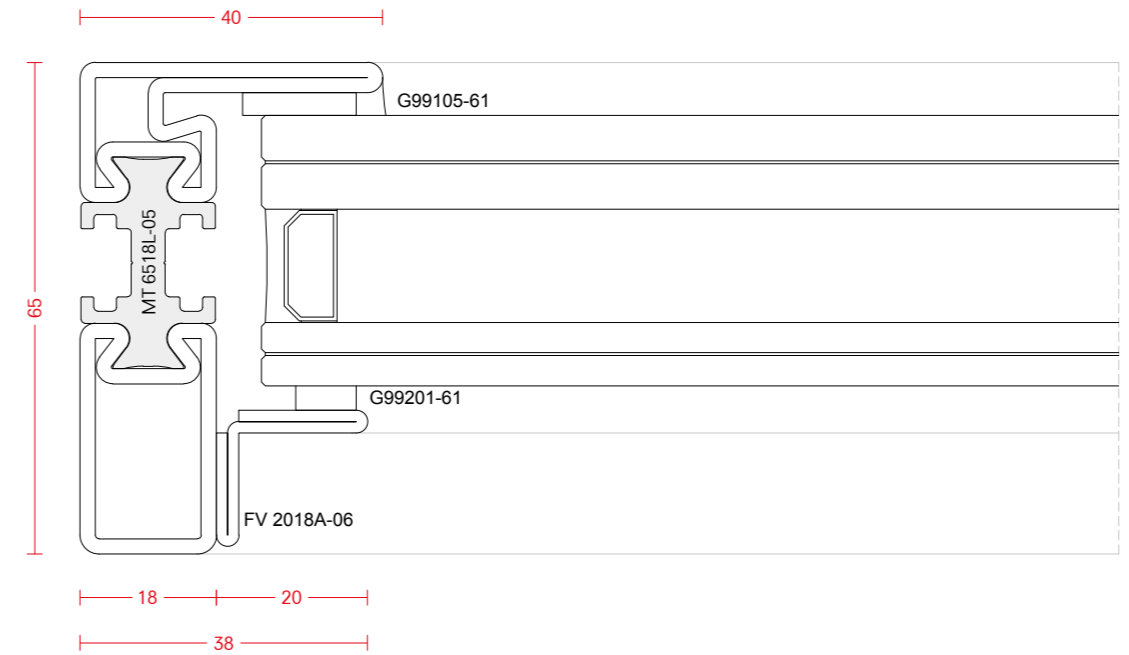
SECTION 3

EXTERNAL



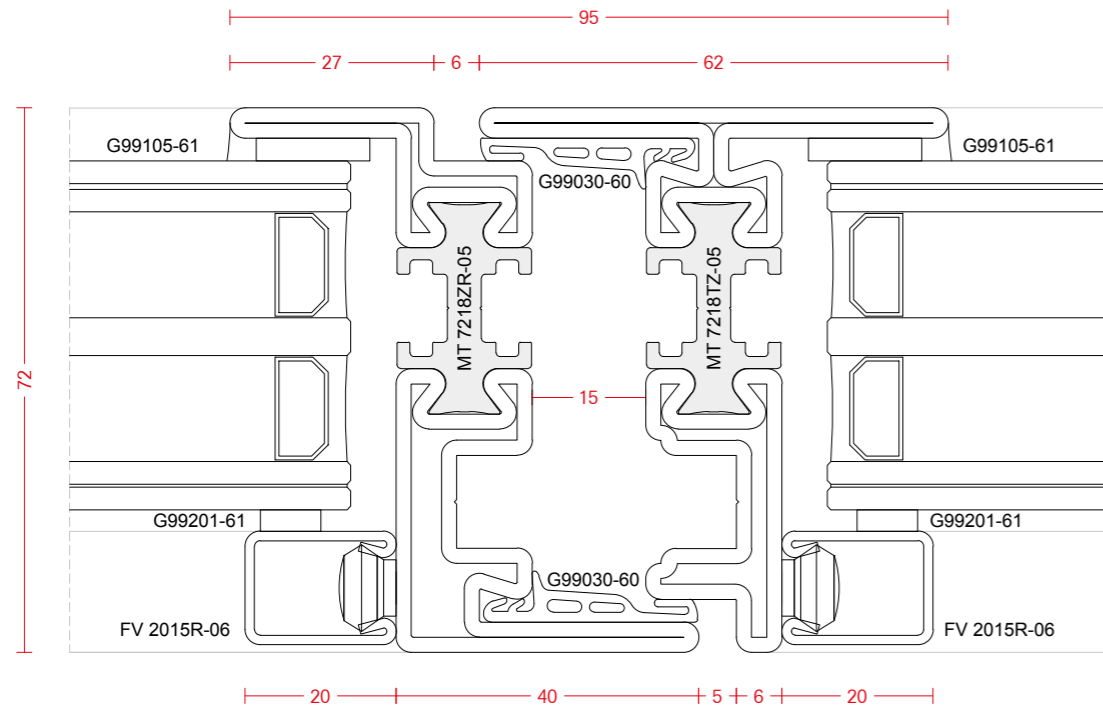
SECTION 5

EXTERNAL



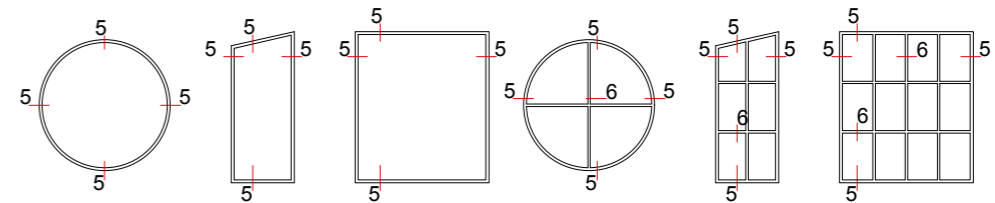
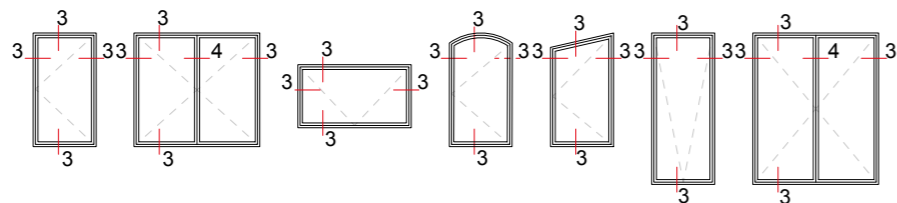
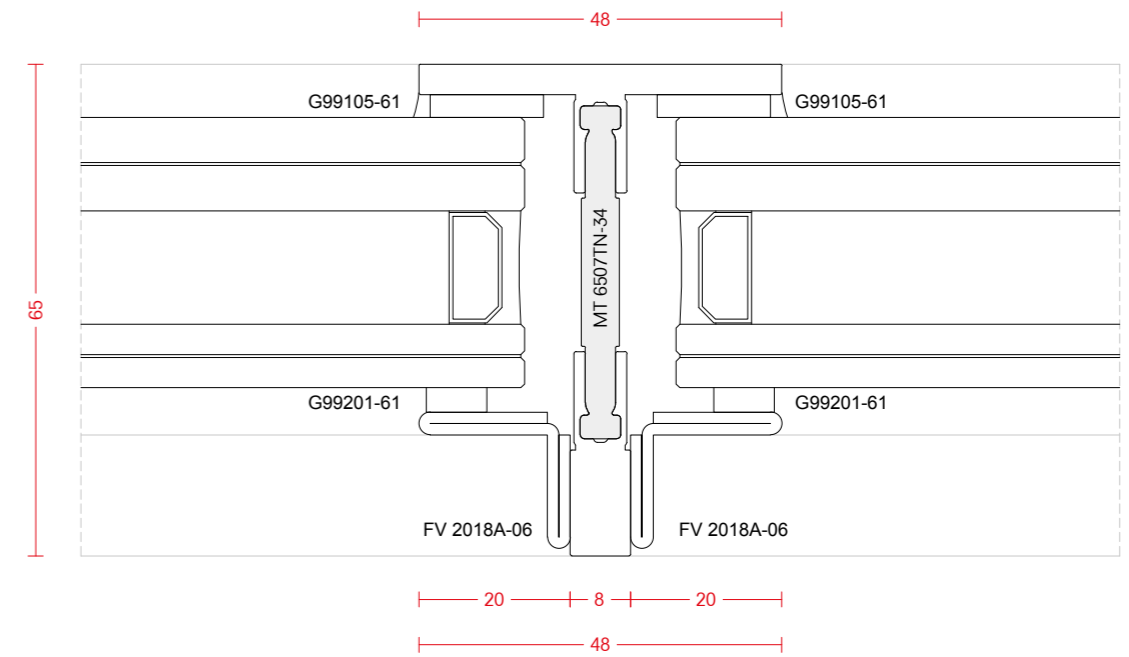
SECTION 4

EXTERNAL



SECTION 6

EXTERNAL



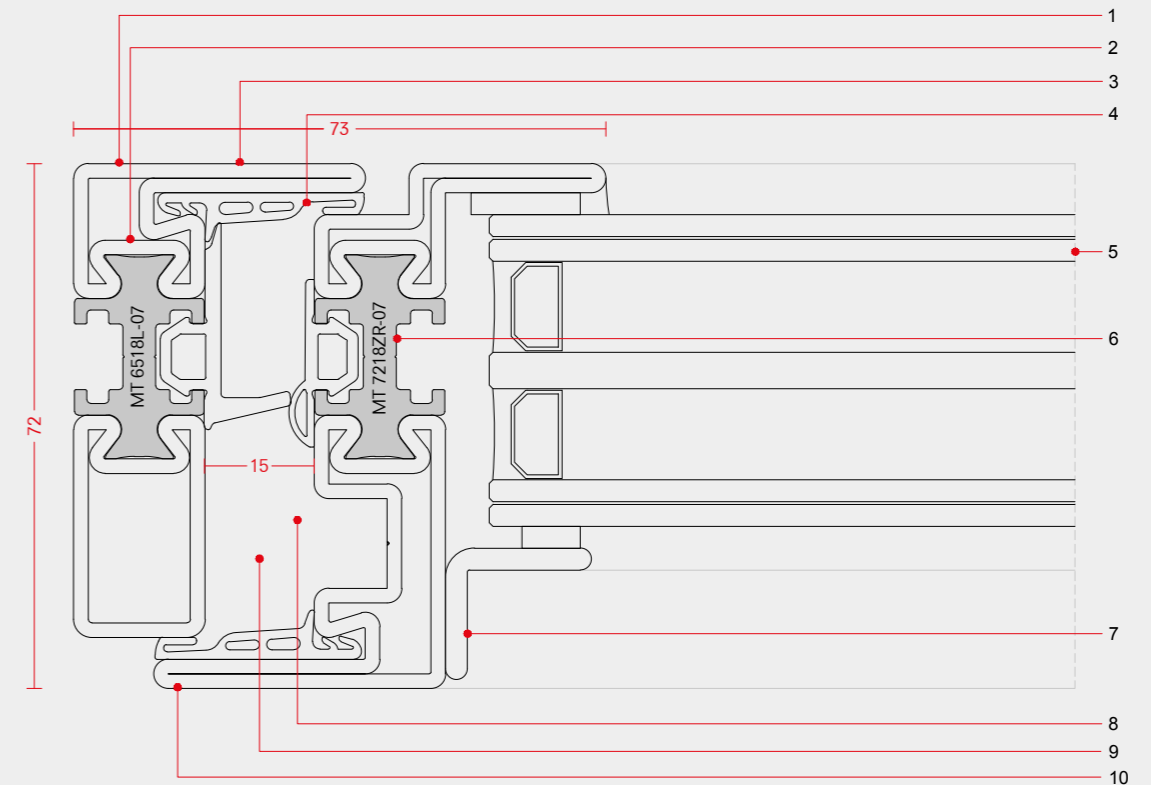
### M65 TB Cor-Ten steel

M65 TB Cor-Ten steel represents an extremely refined stylistic choice, combining the natural quality of Cor-Ten steel with the minimalist beauty of Mogs 2 mm profiles. Originally used in restoration work, Cor-Ten steel is now appreciated in a variety of architectural contexts. The innovative thermal break system and the considerable thickness of the steel sheet (2 mm) guarantee the high mechanical and thermal insulation performance that characterize the entire Mogs series.



#### MAIN FEATURES

- |   |  |
|---|--|
| 1. 2 mm tubular profile in Cor-Ten steel with high moments of inertia | 6. thermal barrier in PA 6.6 polyamide   |
| 2. continuously welded profile, high mechanical performance           | 7. choice of different glazing beads   |
| 3. external flush and internal overlapping sightlines                 | 8. wide range of adjustable hinges, both visible and concealed                           |
| 4. self-adhesive non-shrinking gaskets                                | 9. any kind of openings: side-hung, top-hung and bottom-hung windows and tilt and turn   |
| 5. profile depth compatible with high performance insulating glass    | 10. surface finish with the distinctive oxidation patina of Cor-Ten, properly stabilized |

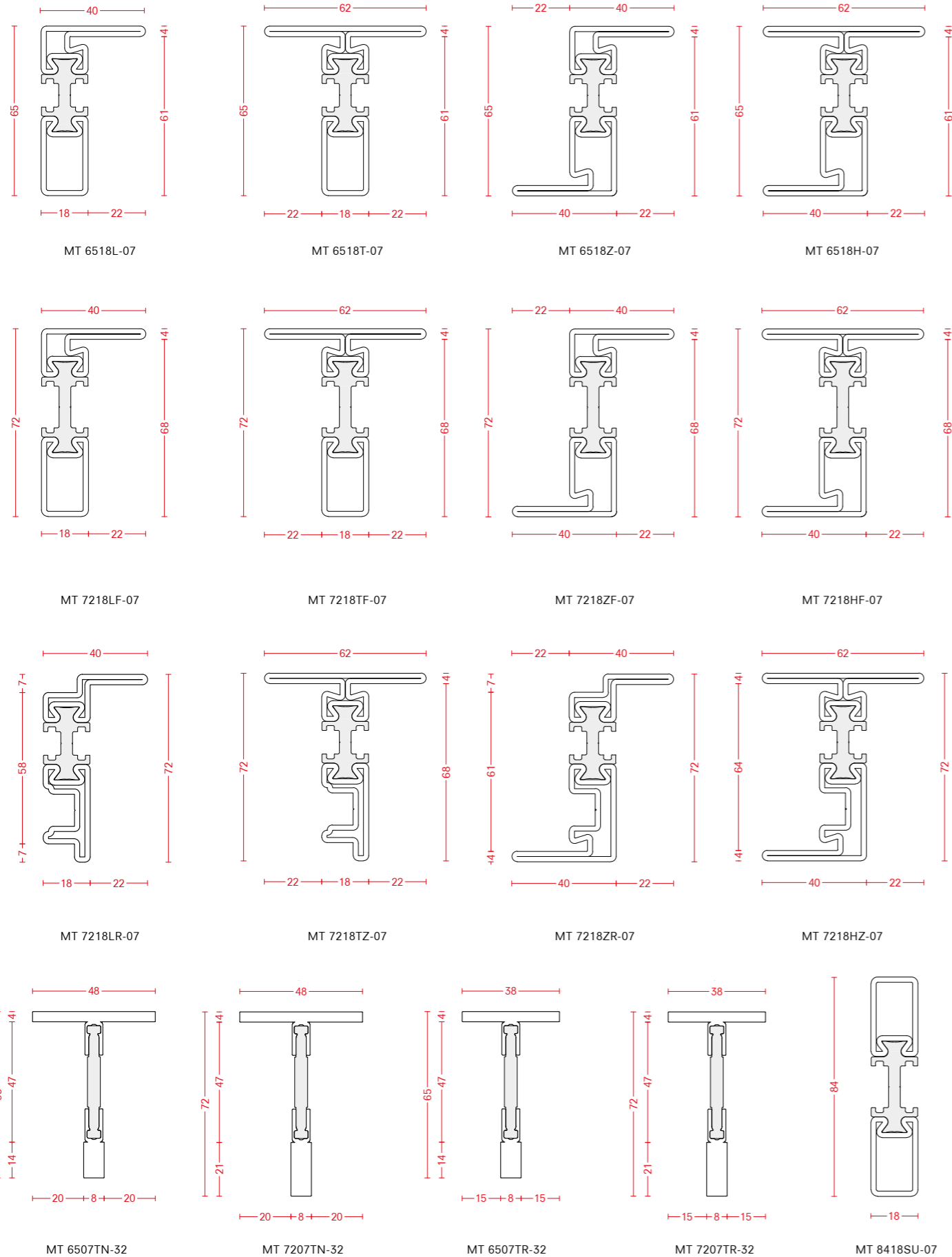


drawing scale 1:1



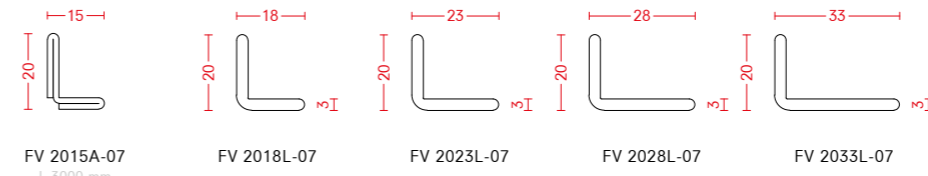
profile range – bar length 5800 mm

-07 Cor-Ten steel -32 Laser welded and sand blasted Cor-Ten steel

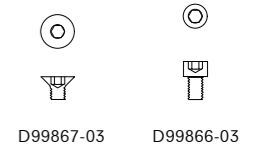


angular glazing beads – bar length 5800 mm

-03 Stainless steel AISI 304 2B -07 Cor-Ten steel

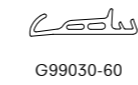


fixing screws

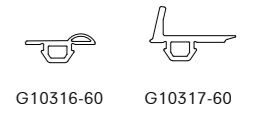


rebate gaskets

-60 Black EPDM

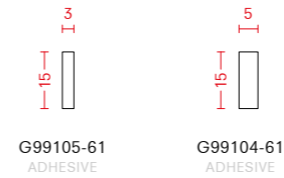


central gasket (only for open in)



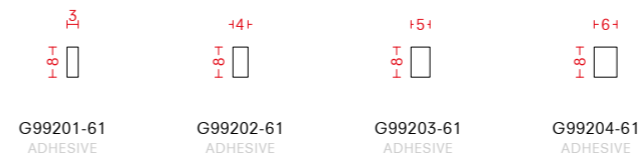
glass – external gaskets

-61 Neoprene



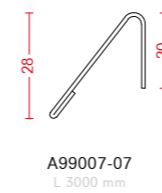
glass – internal gaskets

-61 Neoprene

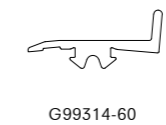


weather bars

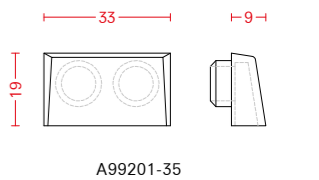
-07 Cor-Ten steel -35 Black -60 Black EPDM



drainage profile



cover caps

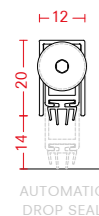


end pieces for second leaf

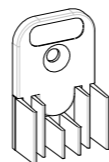


automatic drop seal

-35 Black -41 Grey RAL 7035 -62 PVC



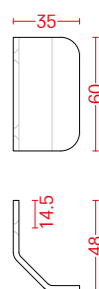
G99501-62	330 mm	(shortenable up to 50 mm)	G99506-62	830 mm	(shortenable up to 200 mm)
G99502-62	430 mm	(shortenable up to 135 mm)	G99507-62	930 mm	(shortenable up to 200 mm)
G99503-62	530 mm	(shortenable up to 200 mm)	G99508-62	1030 mm	(shortenable up to 200 mm)
G99504-62	630 mm	(shortenable up to 200 mm)	G99509-62	1130 mm	(shortenable up to 200 mm)
G99505-62	730 mm	(shortenable up to 200 mm)	G99510-62	1230 mm	(shortenable up to 200 mm)



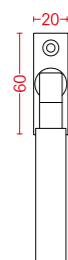
G99511-35 BLACK  
G99511-41 GREY RAL 7035  
SIDEWARD COVER CAP FOR  
DROP-DOWN SEAL

fittings examples – see accessories chapter and Handles Catalogue for details

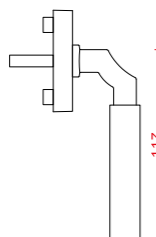
-12 Bright steel SN Satin nickel



H99025-12  
HANDLE  
OPEN OUT

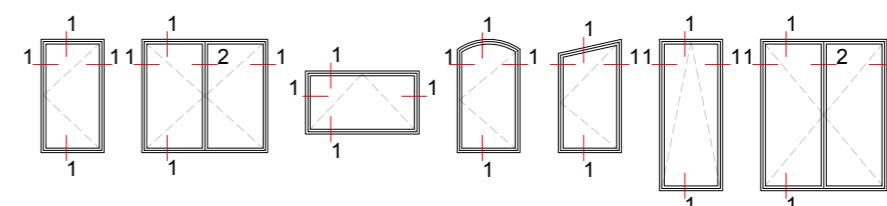
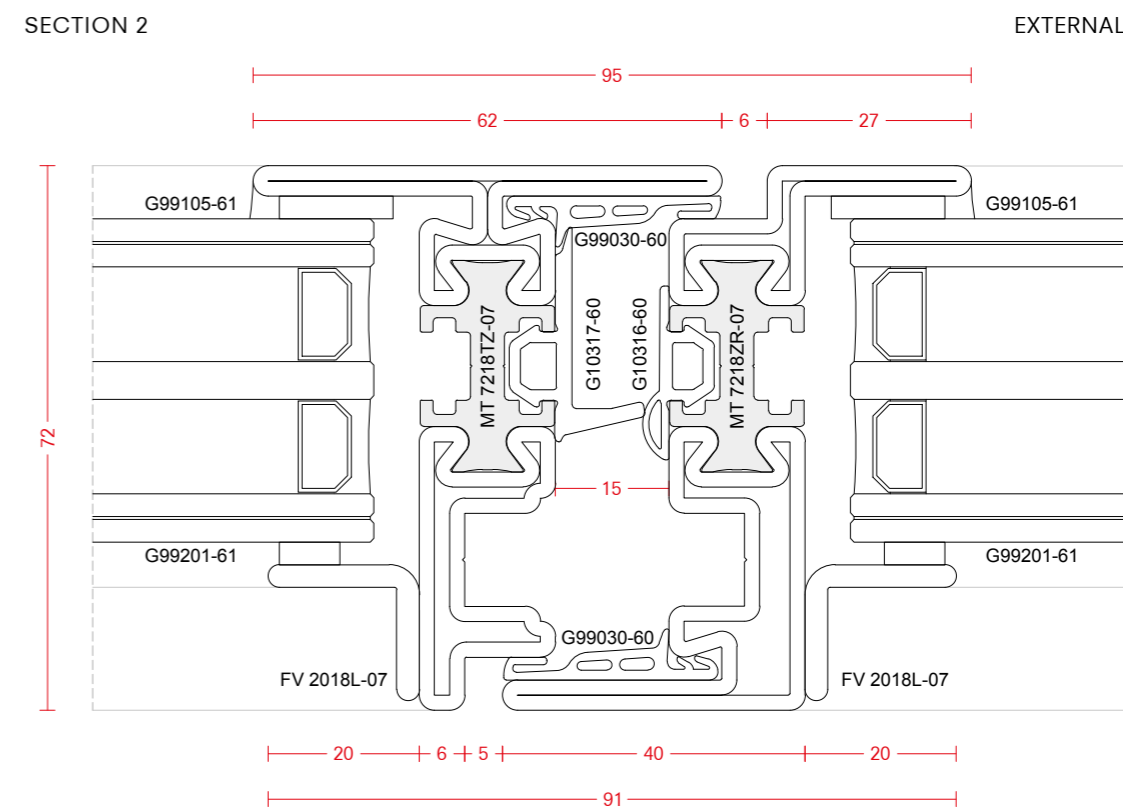
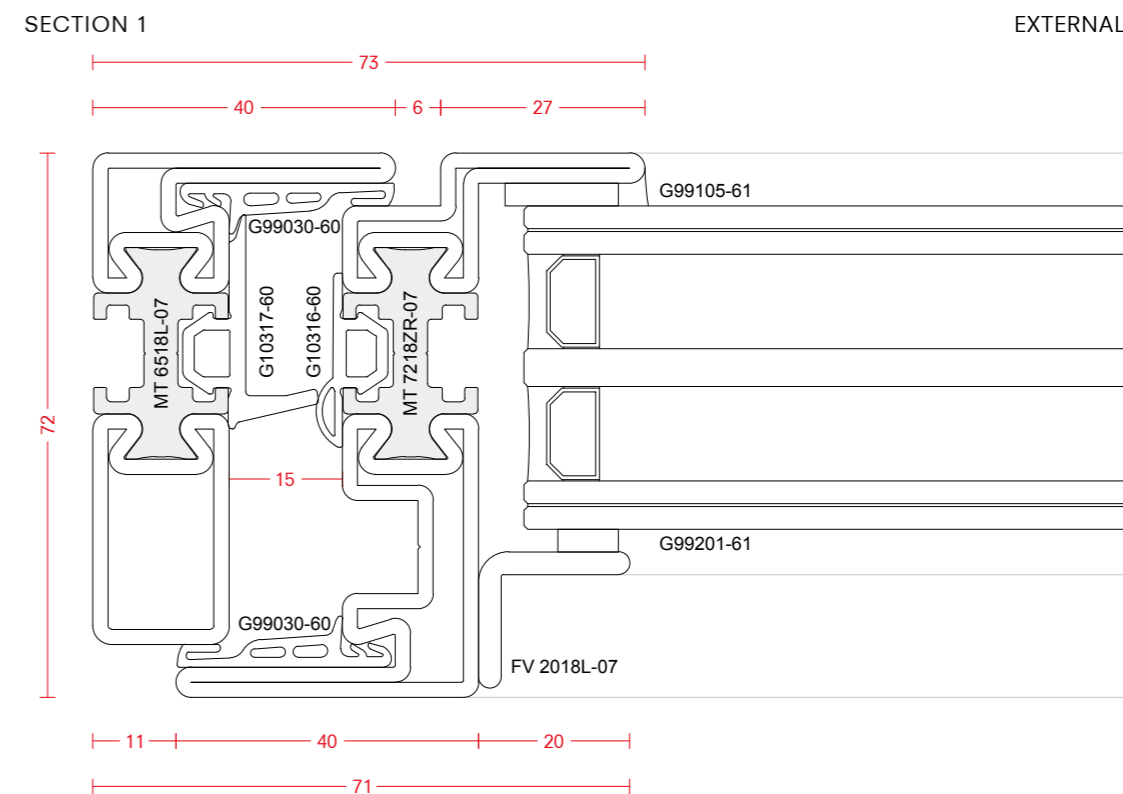


780010 SN  
TILT AND TURN HANDLE  
TIMELESS COLLECTION



750010 SN  
DOOR HANDLE  
TIMELESS COLLECTION

examples - open in





### M65 TB Bright steel

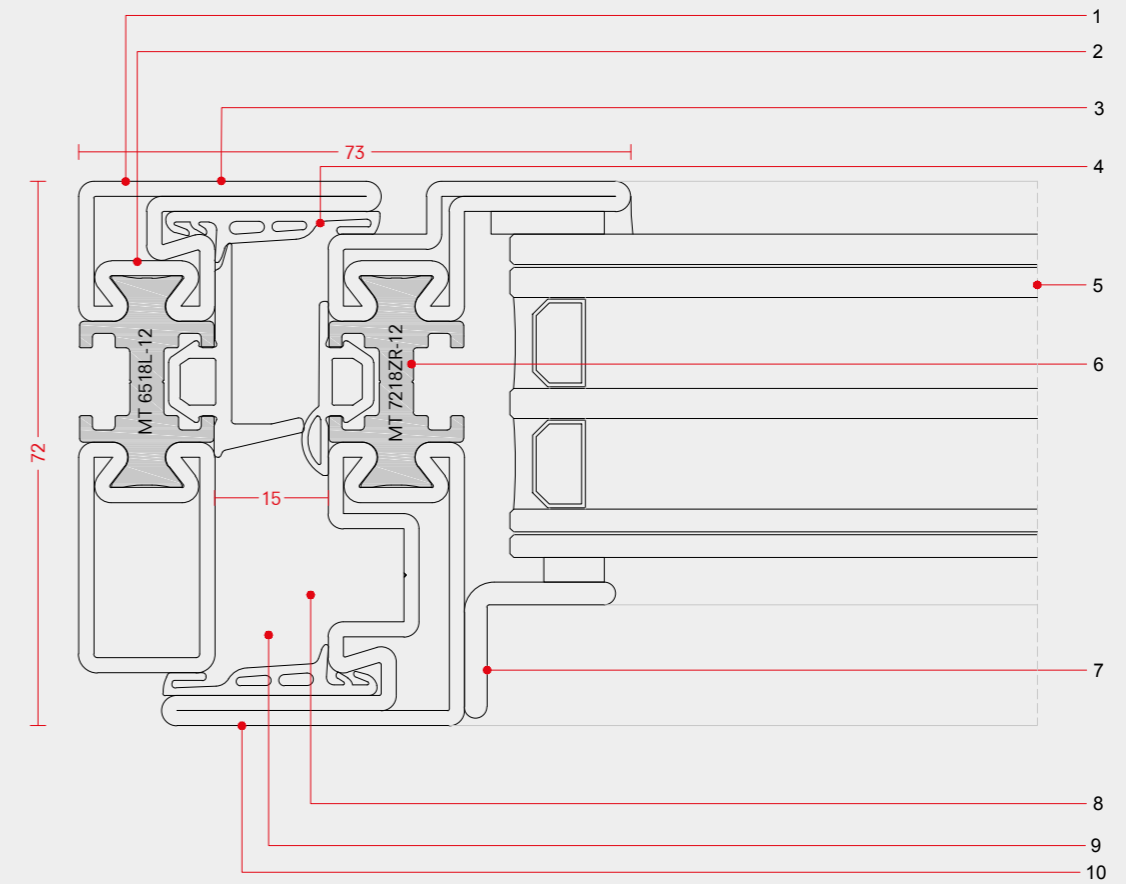
Created to offer windows and doors both minimalistic and performing, the Mogs 2 mm series is now also available in bright steel.

As with the galvanized, stainless steel and Cor-Ten series, the M65 TB bright steel profiles have a visible section reduced to 18 mm and are made from 2 mm thick solid steel sheet, with thermal barrier. The depth of the profile, from 65 to 72 mm, is designed to achieve high moments of inertia and to accommodate the latest generation of insulating glass. The PA 6.6 polyamide insulating core guarantees excellent performance in terms of energy saving.



#### MAIN FEATURES

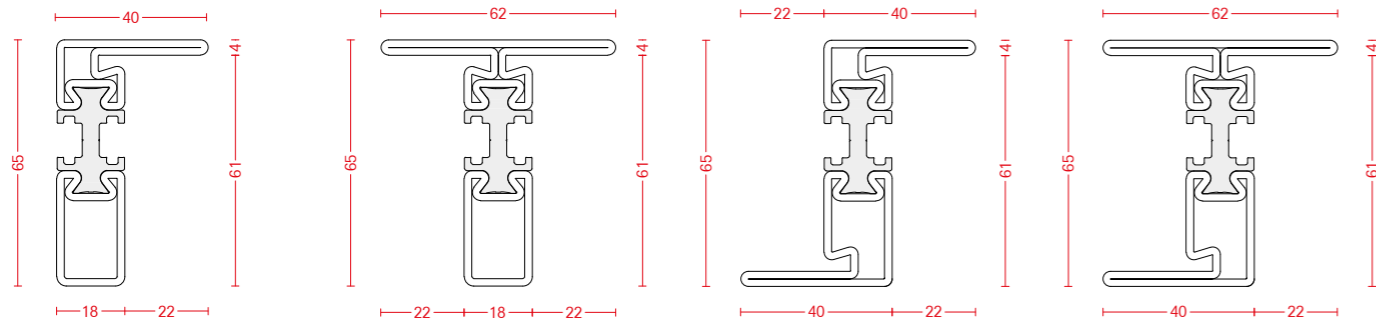
- |  |   |
|--|---|
| 1. 2 mm tubular profile in bright steel with high moments of inertia | 6. thermal barrier in PA 6.6 polyamide  |
| 2. continuously welded profile, high mechanical performance          | 7. choice of different glazing beads  |
| 3. external flush and internal overlapping sightlines                | 8. wide range of accessories, including visible and concealed hinges  |
| 4. self-adhesive non-shrinking gaskets                               | 9. any kind of openings: side-hung, top-hung and bottom-hung windows, tilt and turn, pivoting and folding doors |
| 5. profile depth compatible with high performance insulating glass   | 10. surface finishes in any RAL or customized colours   |



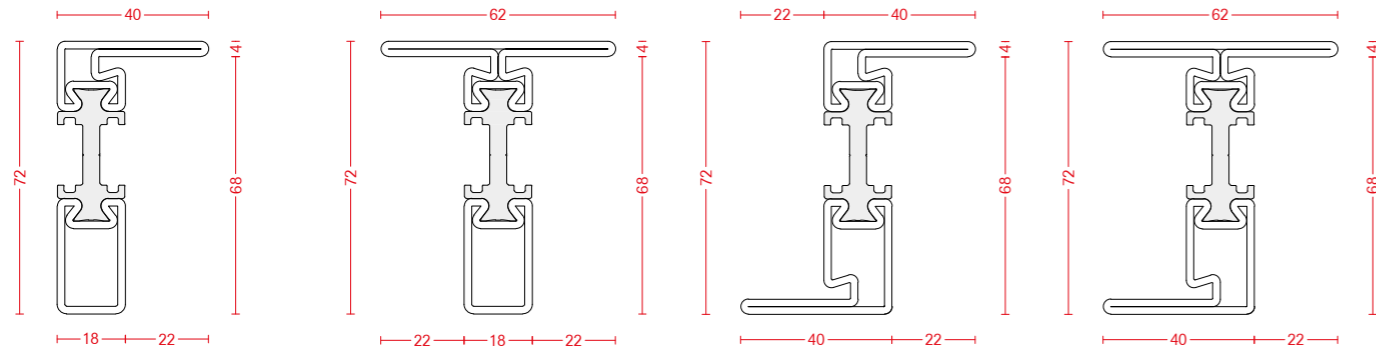
drawing scale 1:1

profile range – bar length 5800 mm

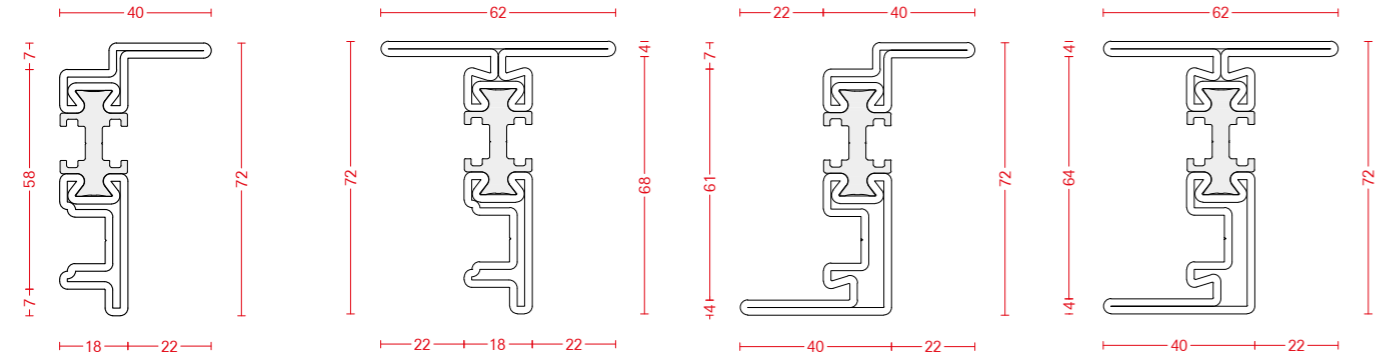
-12 Bright steel -14 Laser welded and sand blasted steel



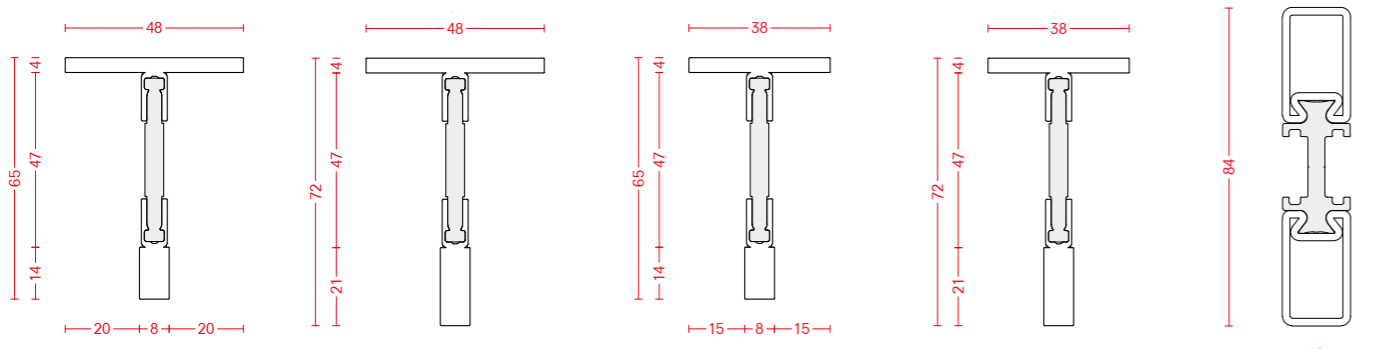
MT 6518L-12 MT 6518T-12 MT 6518Z-12 MT 6518H-12



MT 7218LF-12 MT 7218TF-12 MT 7218ZF-12 MT 7218HF-12



MT 7218LR-12 MT 7218TZ-12 MT 7218ZR-12 MT 7218HZ-12

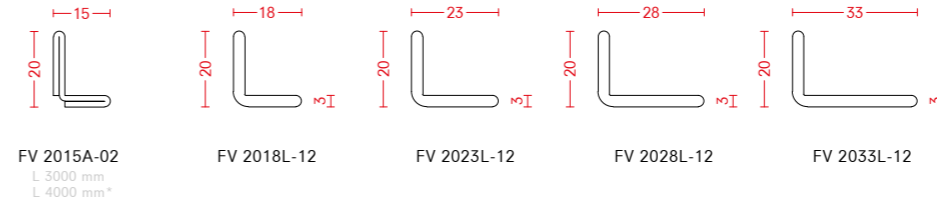


MT 6507TN-14 MT 7207TN-14 MT 6507TR-14 MT 7207TR-14 MT 8418SU-12

angular glazing beads – bar length 5800 mm

-02 Galvanized steel -03 Stainless steel AISI 304 2B -12 Bright steel

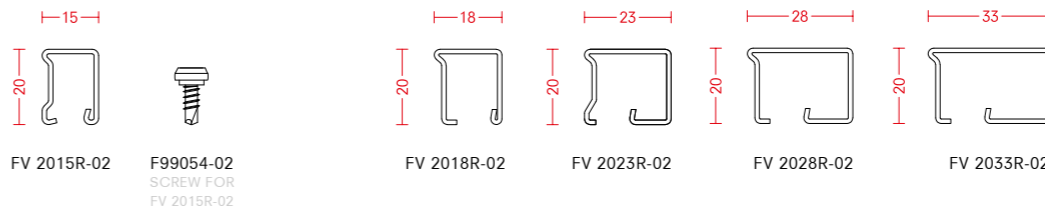
\*on request - minimum quantity required



snap-on glazing beads – bar length 6000 mm

-02 Galvanized steel -03 Stainless steel AISI 304 2B

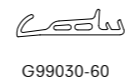
fixing screws



rebate gaskets

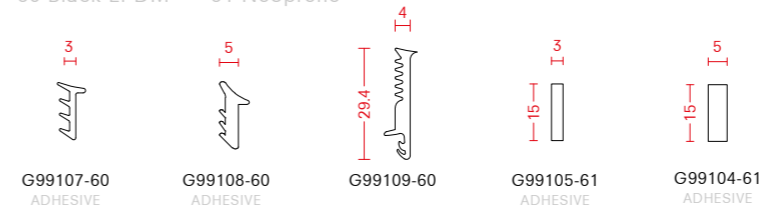
central gasket (only for open in)

-60 Black EPDM



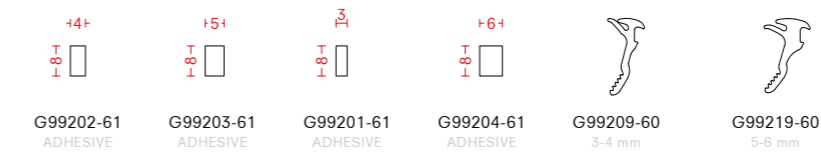
glass – external gaskets

-60 Black EPDM -61 Neoprene



glass – internal gaskets

-60 Black EPDM -61 Neoprene

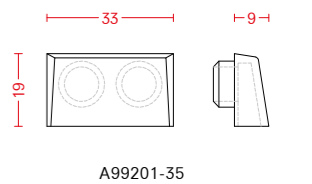
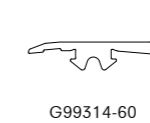
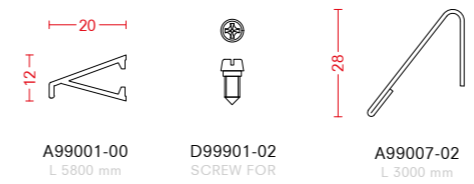


weather bars

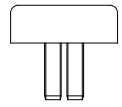
drainage profile

cover caps

-00 Aluminum -02 Galvanized steel -35 Black -60 Black EPDM



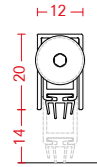
end pieces for second leaf



K99021 BLACK

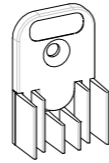
automatic drop seal

-35 Black -41 Grey RAL 7035 -62 PVC



AUTOMATIC DROP SEAL

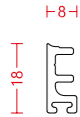
G99501-62	330 mm	(shortenable up to 50 mm)	G99506-62	830 mm	(shortenable up to 200 mm)
G99502-62	430 mm	(shortenable up to 135 mm)	G99507-62	930 mm	(shortenable up to 200 mm)
G99503-62	530 mm	(shortenable up to 200 mm)	G99508-62	1030 mm	(shortenable up to 200 mm)
G99504-62	630 mm	(shortenable up to 200 mm)	G99509-62	1130 mm	(shortenable up to 200 mm)
G99505-62	730 mm	(shortenable up to 200 mm)	G99510-62	1230 mm	(shortenable up to 200 mm)



G99511-35 BLACK  
G99511-41 GREY RAL 7035  
SIDEWARD COVER CAP FOR DROP-DOWN SEAL

folding fittings - see accessories chapter for details

-00 Aluminum -62 PVC



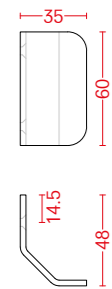
A99401-00  
BRUSH SUPPORT



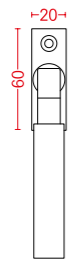
G99404-62  
BRUSH

fitting examples – see accessories chapter and Handles Catalogue for details

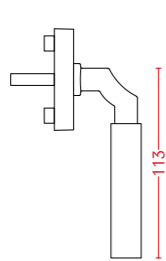
-12 Bright steel SN Satin nickel



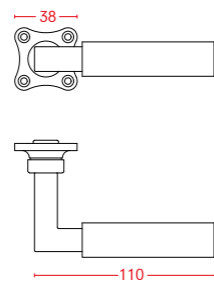
H99025-12  
HANDLE OPEN OUT



780010 SN  
TILT AND TURN HANDLE TIMELESS COLLECTION



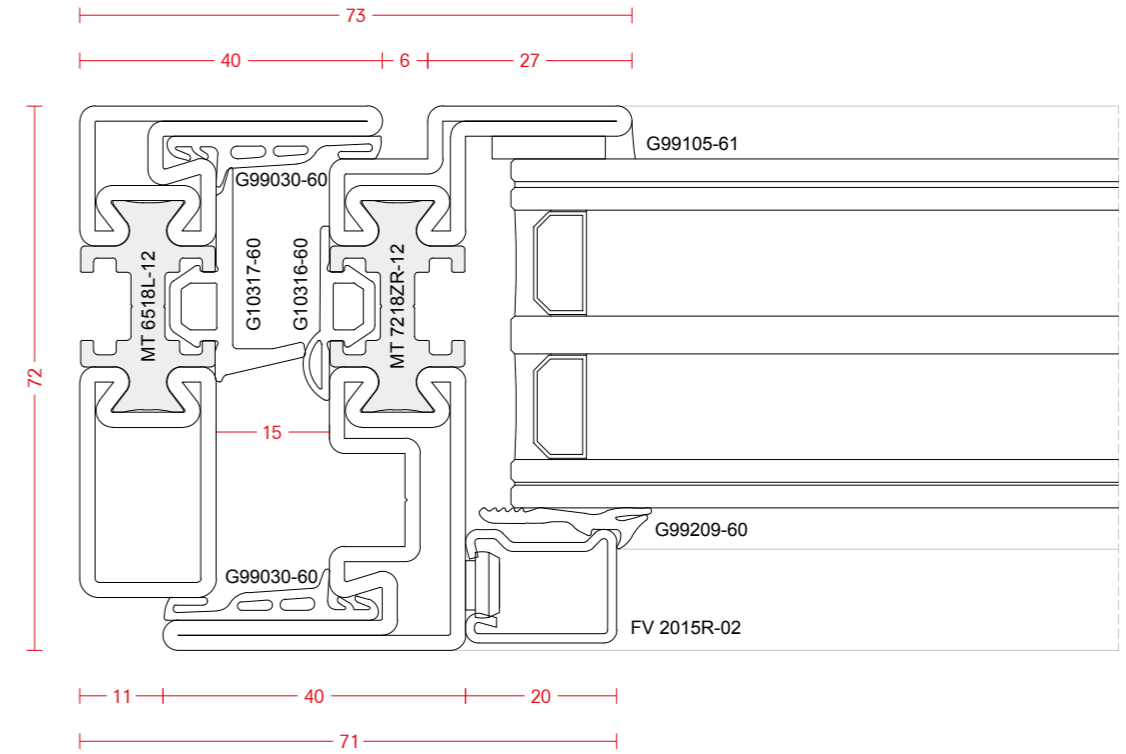
750010 SN  
DOOR HANDLE TIMELESS COLLECTION



examples - open in

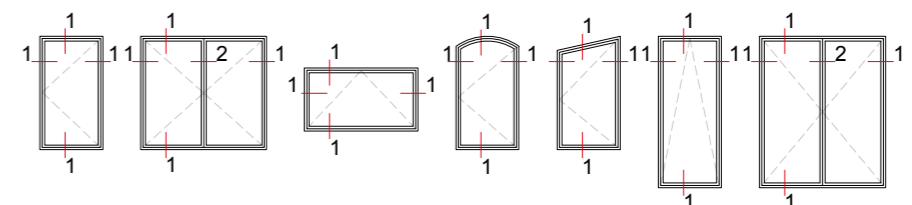
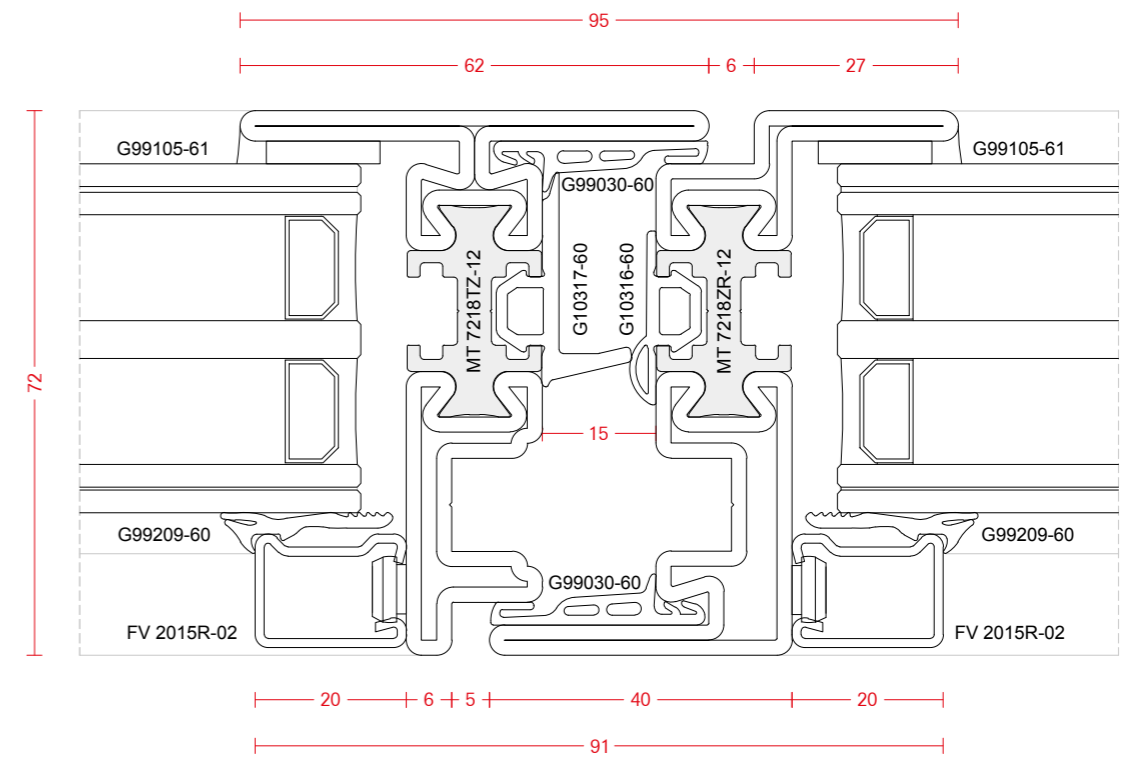
SECTION 1

EXTERNAL



SECTION 2

EXTERNAL





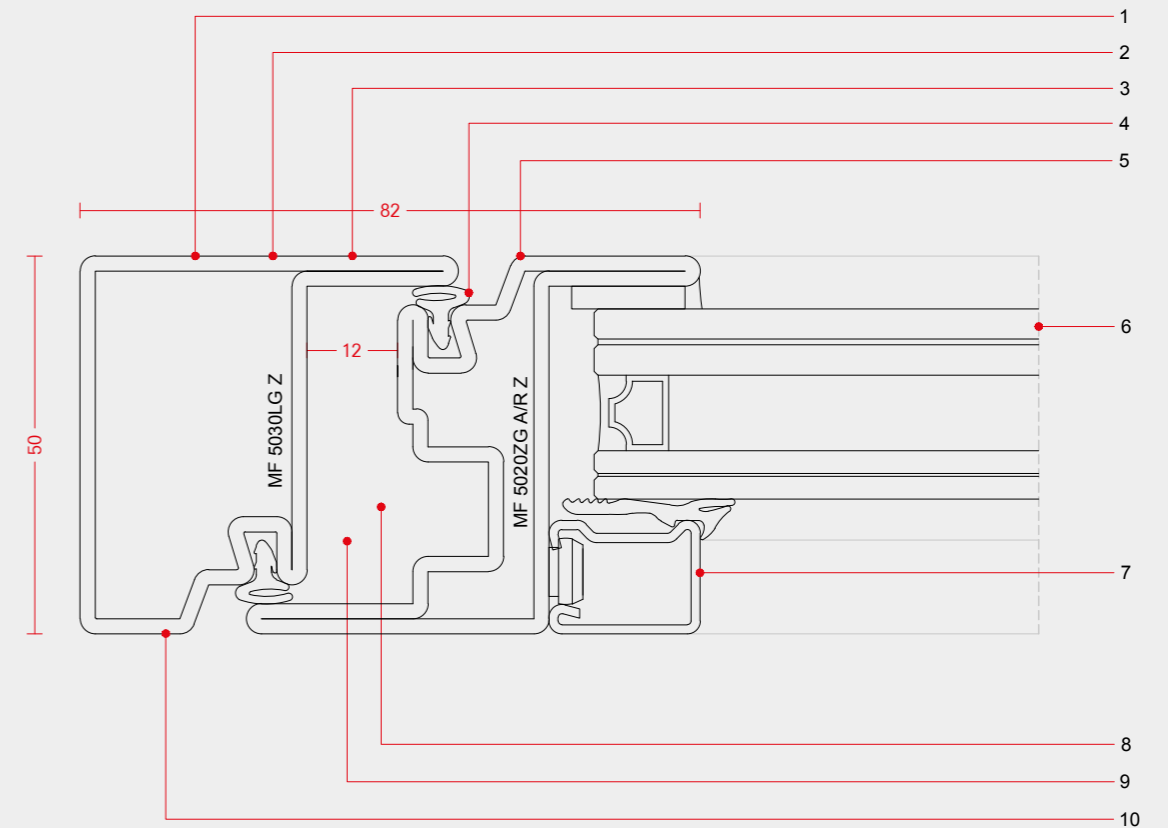
## Mogs 2 mm Basic

Mogs Basic is a complete system of 2 mm thick galvanized and bright steel profiles. With a range of snap-on and screw-on glazing beads and multiple gaskets and accessories, Mogs Basic makes it possible to create all types of opening, to satisfy every aesthetic and functional requirement.



### MAIN FEATURES

- |  |   |
|--|---|
| 1. continuously welded tubular profile in galvanized steel, 2 mm thick | 7. tubular snap on or "L" shaped, angular glazing beads   |
| 2. overlapping sightlines  | 8. wide range of adjustable hinges, both visible and concealed  |
| 3. 12 mm gap for multipoint locks                                      | 9. any kind of openings: side-hung, top-hung and bottom-hung windows, tilt and turn, pivoting and folding doors |
| 4. self-adhesive non-shrinking gaskets                                 | 10. surface finishes in any RAL or customized colours   |
| 5. section of 50x20 mm, for a minimalist design                        |   |
| 6. compatible with insulating glazing, including security glass        |   |

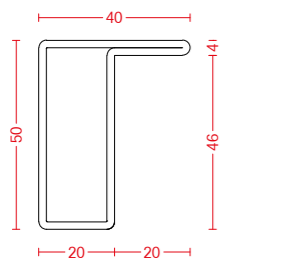


drawing scale 1:1

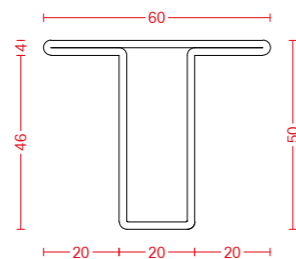


profile range – bar length 6000 mm

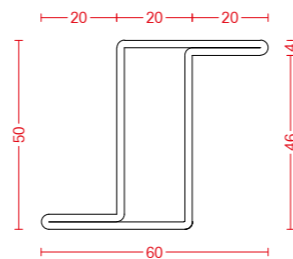
D Bright steel Z Galvanized steel



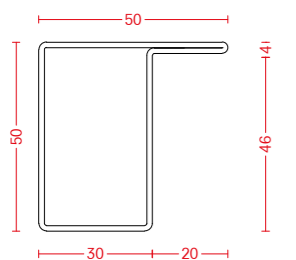
MF 5020L D  
MF 5020L Z



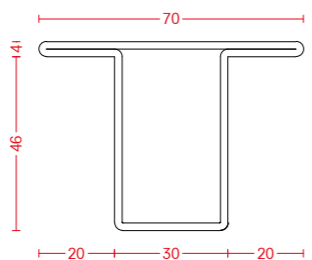
MF 5020T D  
MF 5020T Z



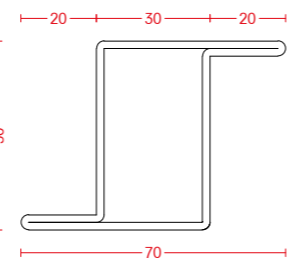
MF 5020Z D  
MF 5020Z Z



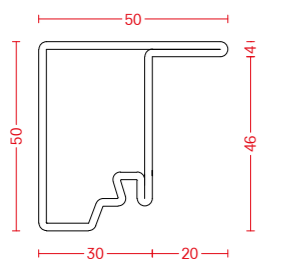
MF 5030L Z



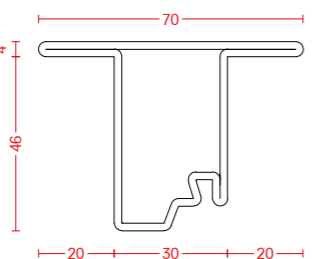
MF 5030T Z



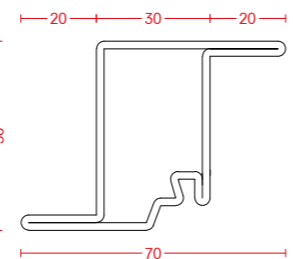
MF 5030Z Z



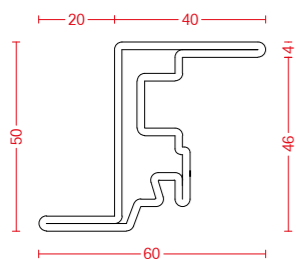
MF 5030LG D  
MF 5030LG Z



MF 5030TG D  
MF 5030TG Z



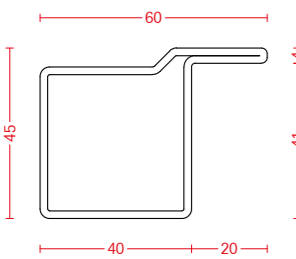
MF 5030ZG D  
MF 5030ZG Z



MF 5020ZG A/R Z  
PROFILE FOR TILT AND TURN

complimentary profiles – bar length 6000 mm

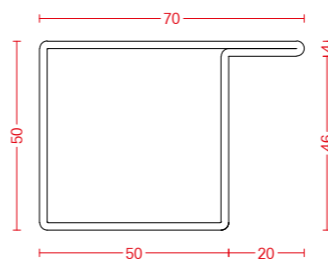
D Bright steel



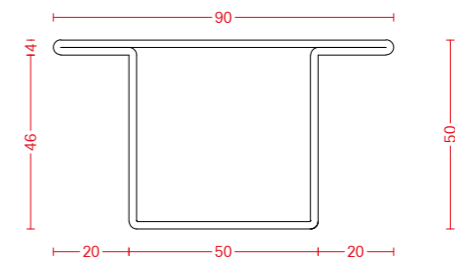
MF 4040LR D

profile range – bar length 6000 mm

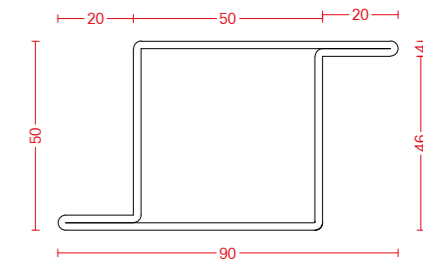
D Bright steel Z Galvanized steel



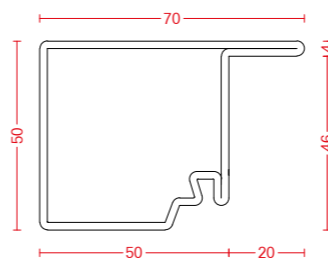
MF 5050L D  
MF 5050L Z



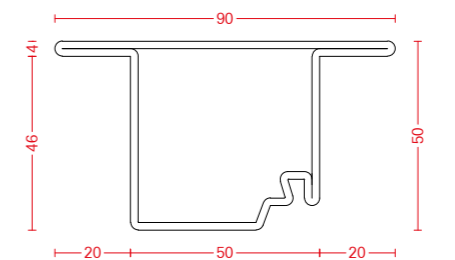
MF 5050T D  
MF 5050T Z



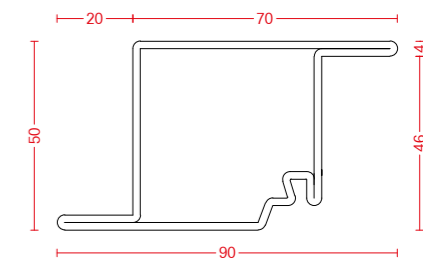
MF 5050Z D  
MF 5050Z Z



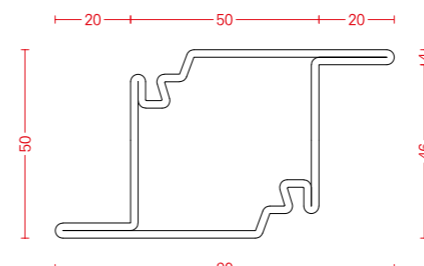
MF 5050LG D  
MF 5050LG Z



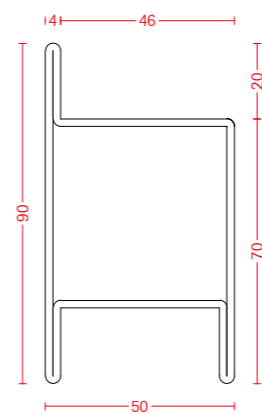
MF 5050TG D  
MF 5050TG Z



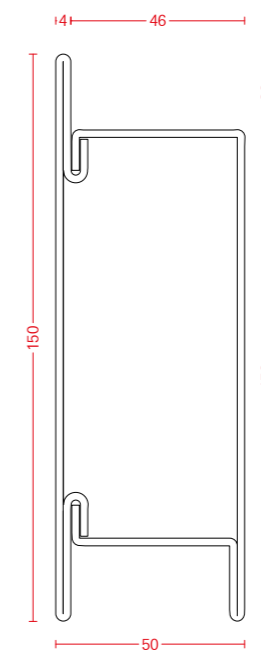
MF 5050ZG D  
MF 5050ZG Z



MF 5050Z2G Z



MF 5050H D  
MF 5050H Z



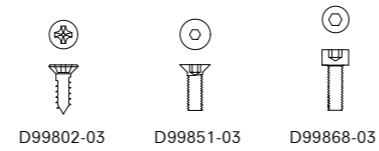
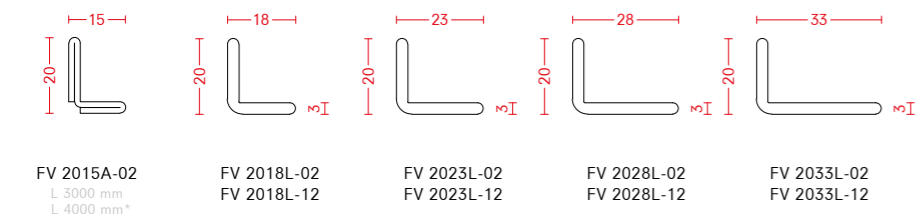
MF 50110ZOC Z  
L 3000 mm

angular glazing beads – bar length 5800

-02 Galvanized steel -03 Stainless steel AISI 304 2B -12 Bright steel

fixing screws

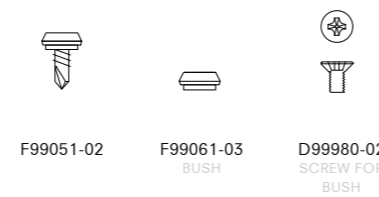
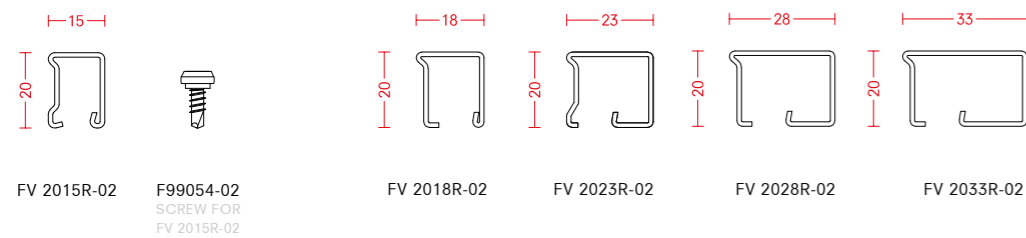
\*on request - minimum quantity required



snap-on glazing beads – bar length 6000 mm

-02 Galvanized steel -03 Stainless steel AISI 304 2B

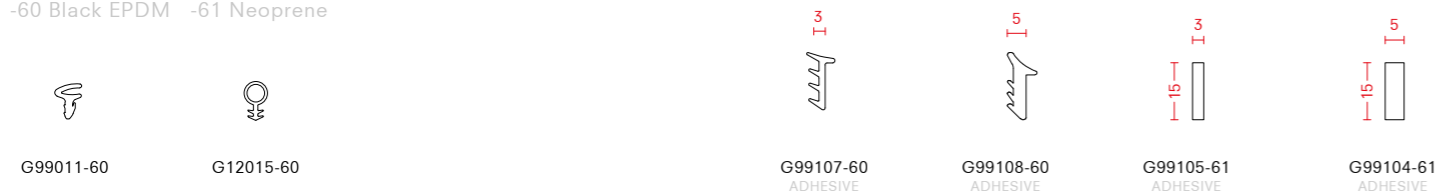
fixing screws



rebate gaskets

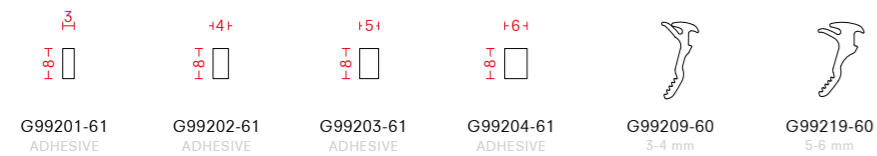
-60 Black EPDM -61 Neoprene

glass – external gaskets



glass – internal gaskets

-60 Black EPDM -61 Neoprene



weather bars

-00 Aluminum -02 Galvanized steel -06 Satin stainless steel AISI 316L -35 Black

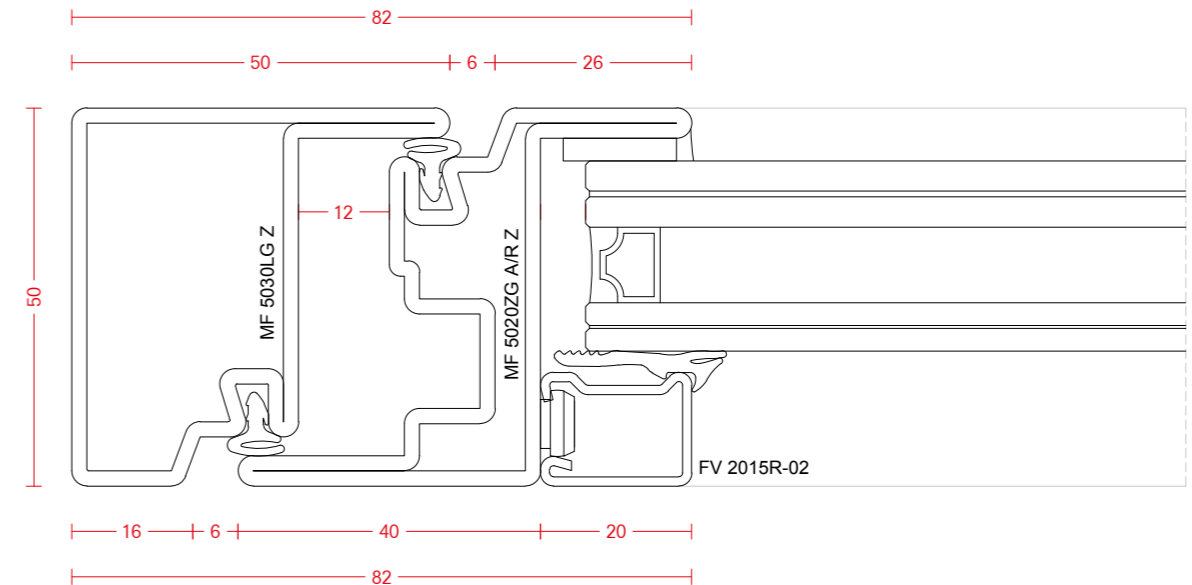
cover caps



examples - open in

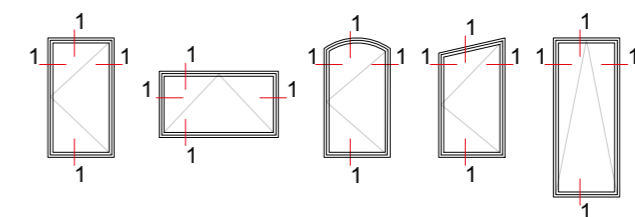
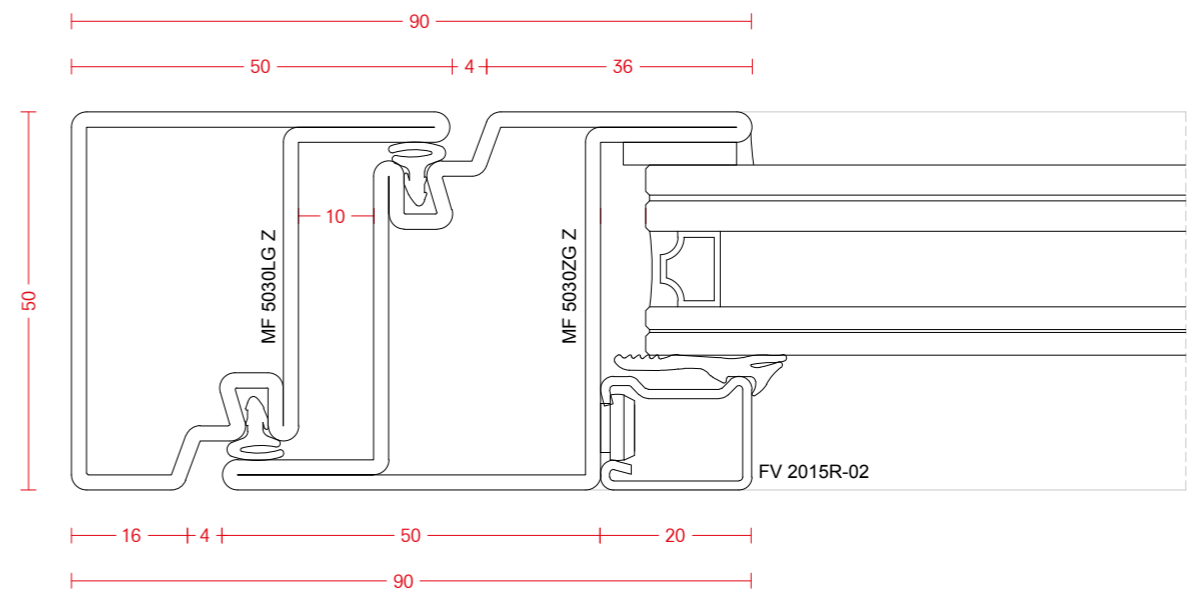
SECTION 1A

EXTERNAL



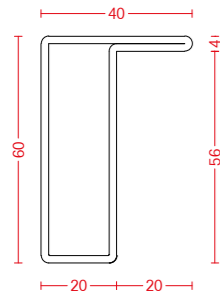
SECTION 1B

EXTERNAL

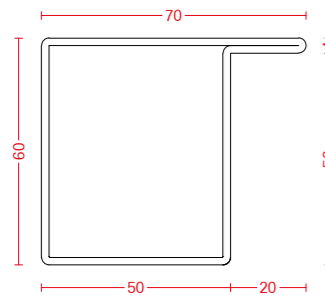


profile range – bar length 6000 mm

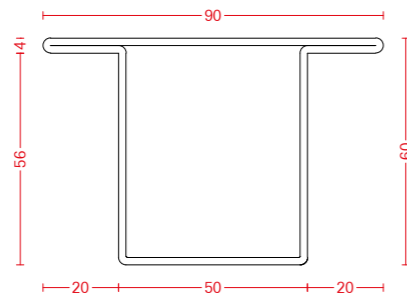
Z Galvanized steel



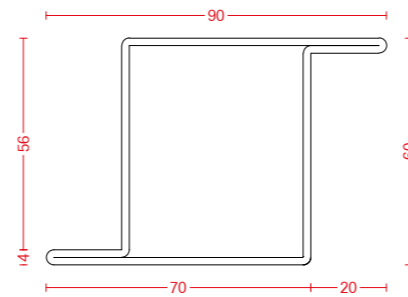
MF 6020L Z



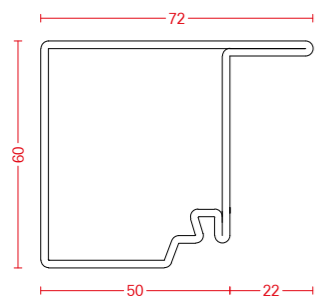
MF 6050L Z



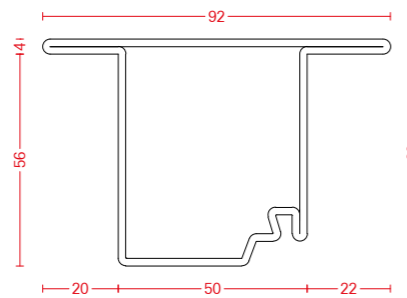
MF 6050T Z



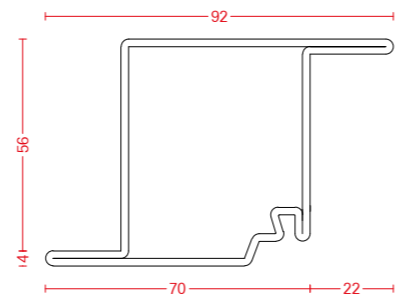
MF 6050Z Z



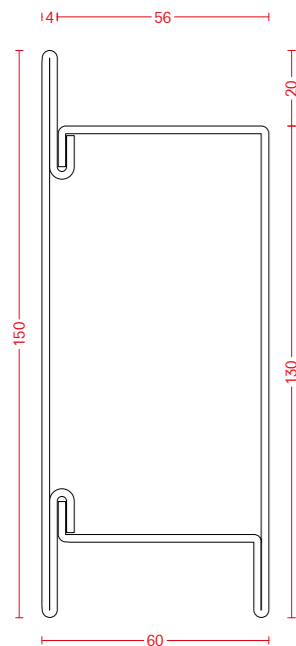
MF 6050LG Z



MF 6050TG Z



MF 6050ZG Z



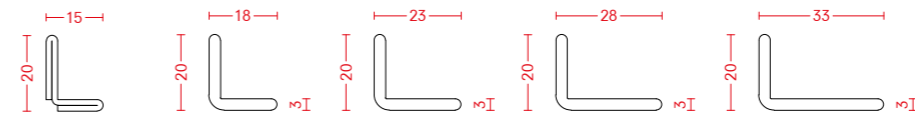
MF 60110ZOC Z  
L 3000 mm

angular glazing beads – bar length 5800 mm

fixing screws

-02 Galvanized steel -03 Stainless steel AISI 304 2B

\*on request - minimum quantity required



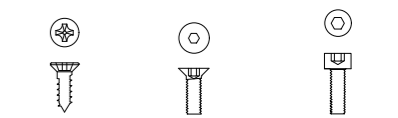
FV 2015A-02  
L 5800 mm  
L 4000 mm\*

FV 2018L-02

FV 2023L-02

FV 2028L-02

FV 2033L-02



D99802-03

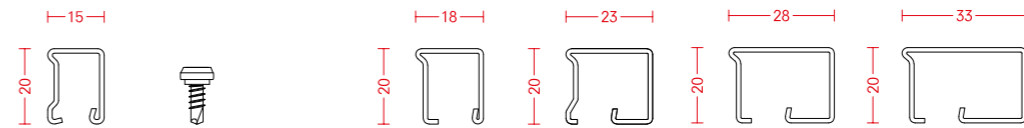
D99851-03

D99868-03

snap-on glazing beads – bar length 6000 mm

fixing screws

-02 Galvanized steel -03 Stainless steel AISI 304 2B



FV 2015R-02

F99054-02  
SCREW FOR  
FV 2015R-02

FV 2018R-02

FV 2023R-02

FV 2028R-02

FV 2033R-02



F99051-02

F99061-03  
BUSH

D99980-02  
SCREW FOR  
BUSH

rebate gaskets

glass – external gaskets

-60 Black EPDM -61 Neoprene



G99011-60

G12015-60

G99107-60  
ADHESIVE

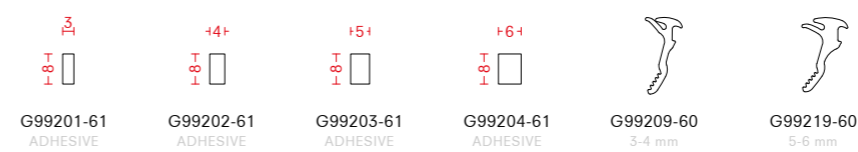
G99108-60  
ADHESIVE

G99105-61  
ADHESIVE

G99104-61  
ADHESIVE

glass – internal gaskets

-60 Black EPDM -61 Neoprene



G99201-61  
ADHESIVE

G99202-61  
ADHESIVE

G99203-61  
ADHESIVE

G99204-61  
ADHESIVE

G99209-60  
3-4 mm

G99219-60  
5-6 mm

weather bars

cover caps

-00 Aluminum -02 Galvanized steel -06 Satin stainless steel AISI 316L -35 Black



A99001-00  
L 5800 mm

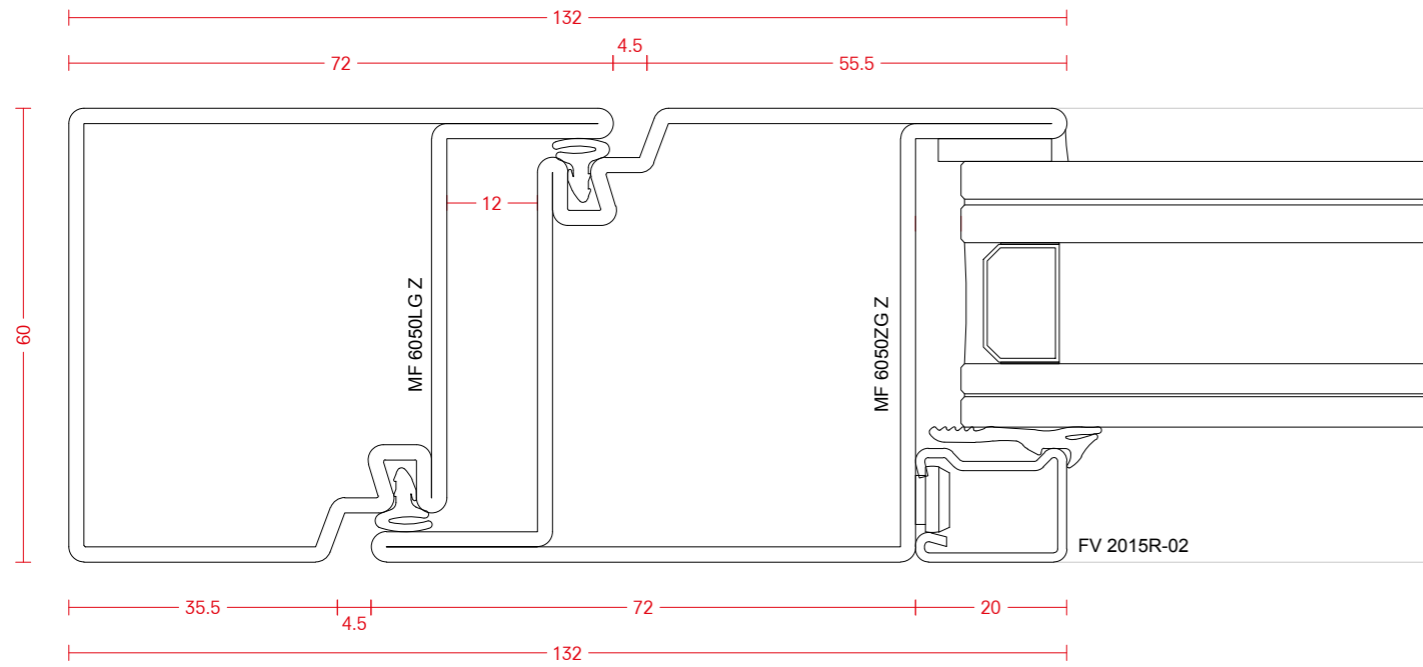
D99901-02  
SCREW FOR  
A99001-00

A99007-02  
A99007-06  
L 3000 mm

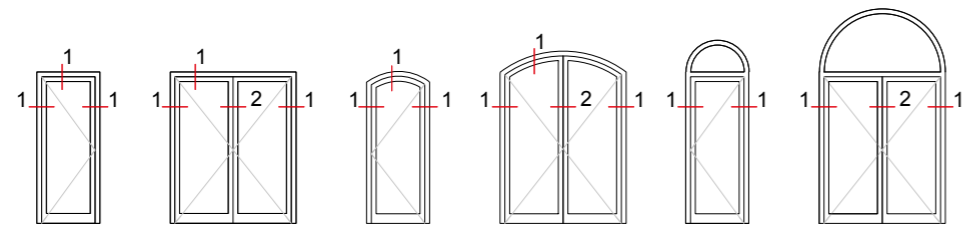
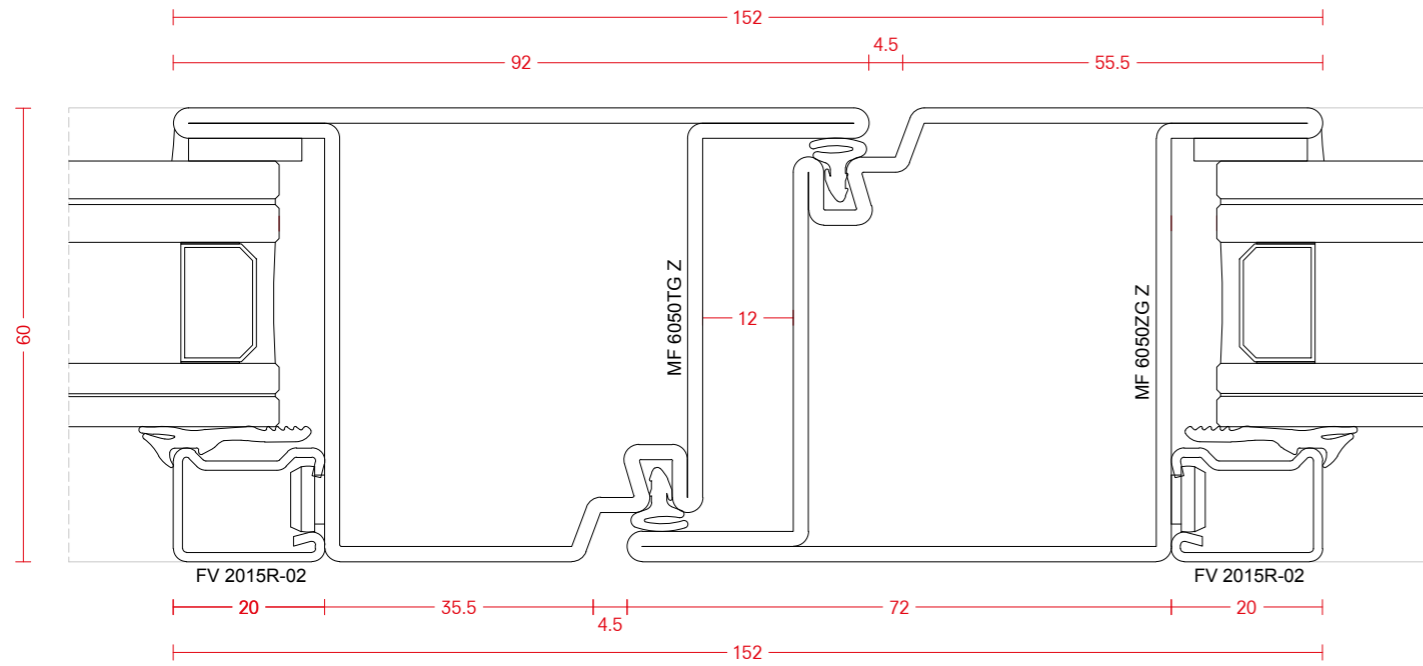
A99201-35

examples - open in

SECTION 1 EXTERNAL

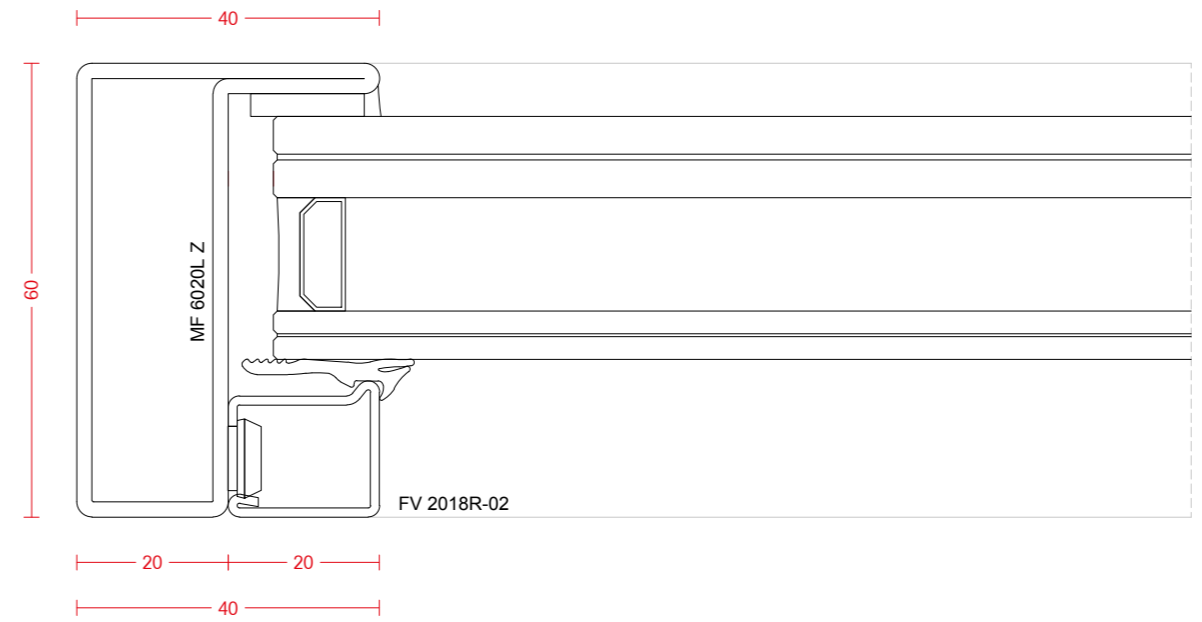


SECTION 2 EXTERNAL

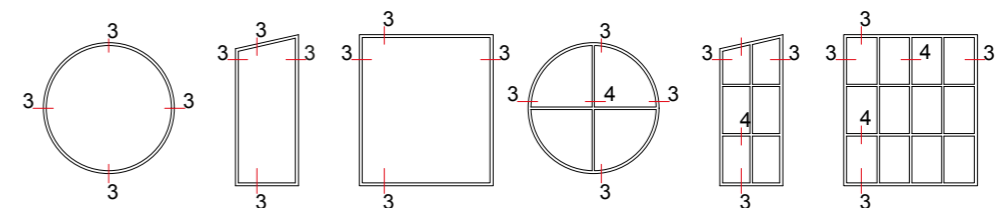
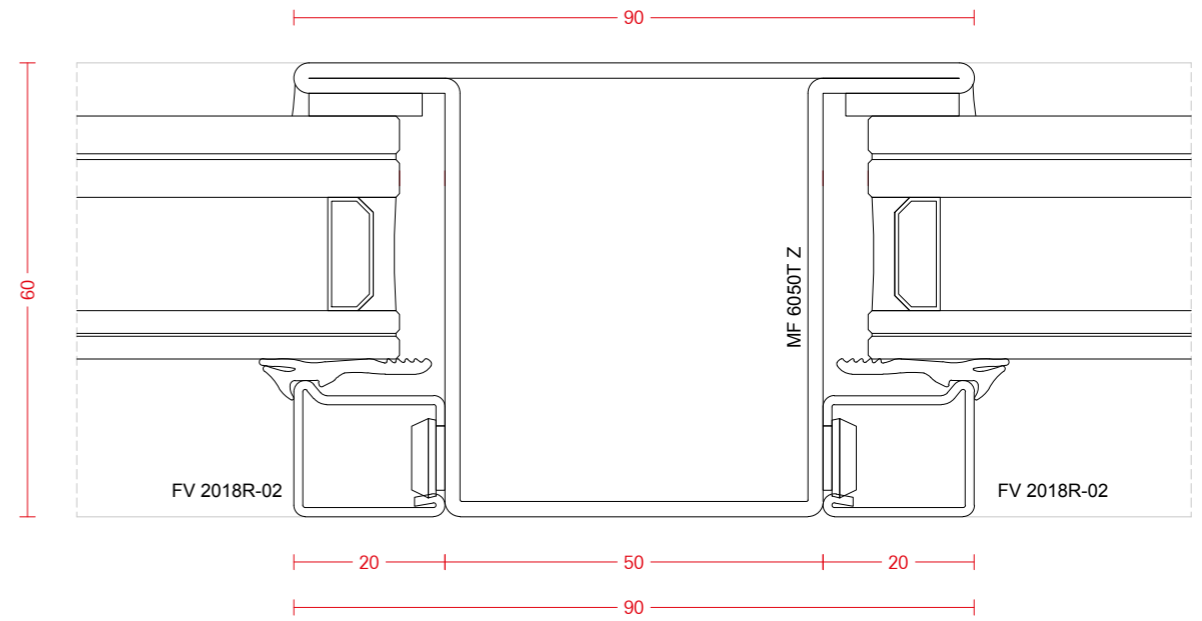


examples

SECTION 3 EXTERNAL



SECTION 4 EXTERNAL



# DOOR

Door D75 TB is a thermal break series specifically designed for the manufacturing of doors, even of large dimensions, including security doors and doors with panic bars, with excellent mechanical and insulation performance. The study and development of the system design aims at reaching the best balance between the sizes of the profiles/accessories and the compatible insulating glass. The series is complemented by a wide range of specific hardware, for a variety of architectural solutions.

Available in galvanized steel, stainless steel AISI 316L, Cor-Ten steel, bright steel and also in the prestigious Architectural Bronze, as DB75 TB.

D75 TB | Galvanized steel  
D75 TB | Stainless steel  
D75 TB | Cor-Ten steel  
D75 TB | Bright steel  
DB75 TB | Architectural bronze

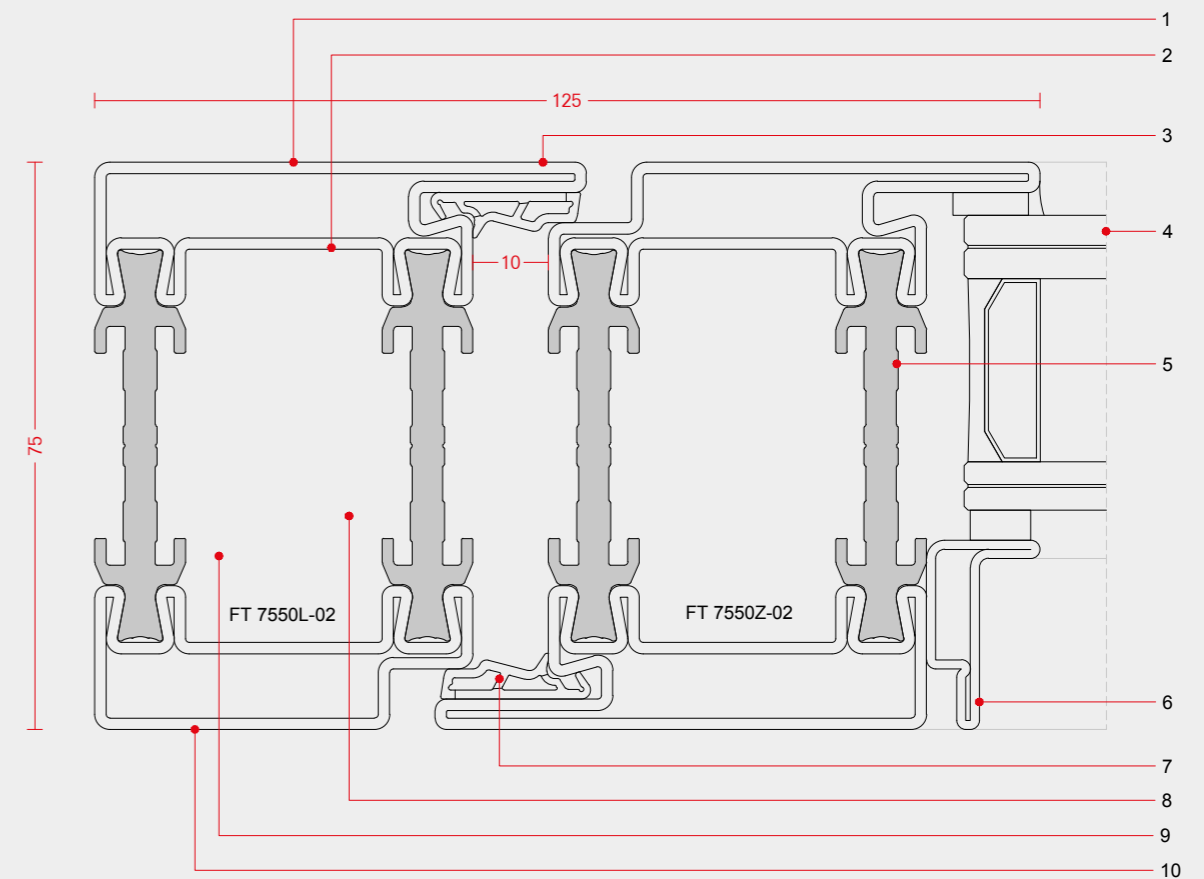
## FerroFinestra D75 TB Galvanized steel

The new series for doors D75 TB completes and enriches the FerroFinestra W75 TB system, preserving its qualities of formal purity and minimalist design. The D75 TB galvanized steel system allows the manufacture of any type of door, including security and panic doors, with a reduced visible section. Exceptional thermal-acoustic insulation values and physical-mechanical performance, for projects with very demanding specifications.



### MAIN FEATURES

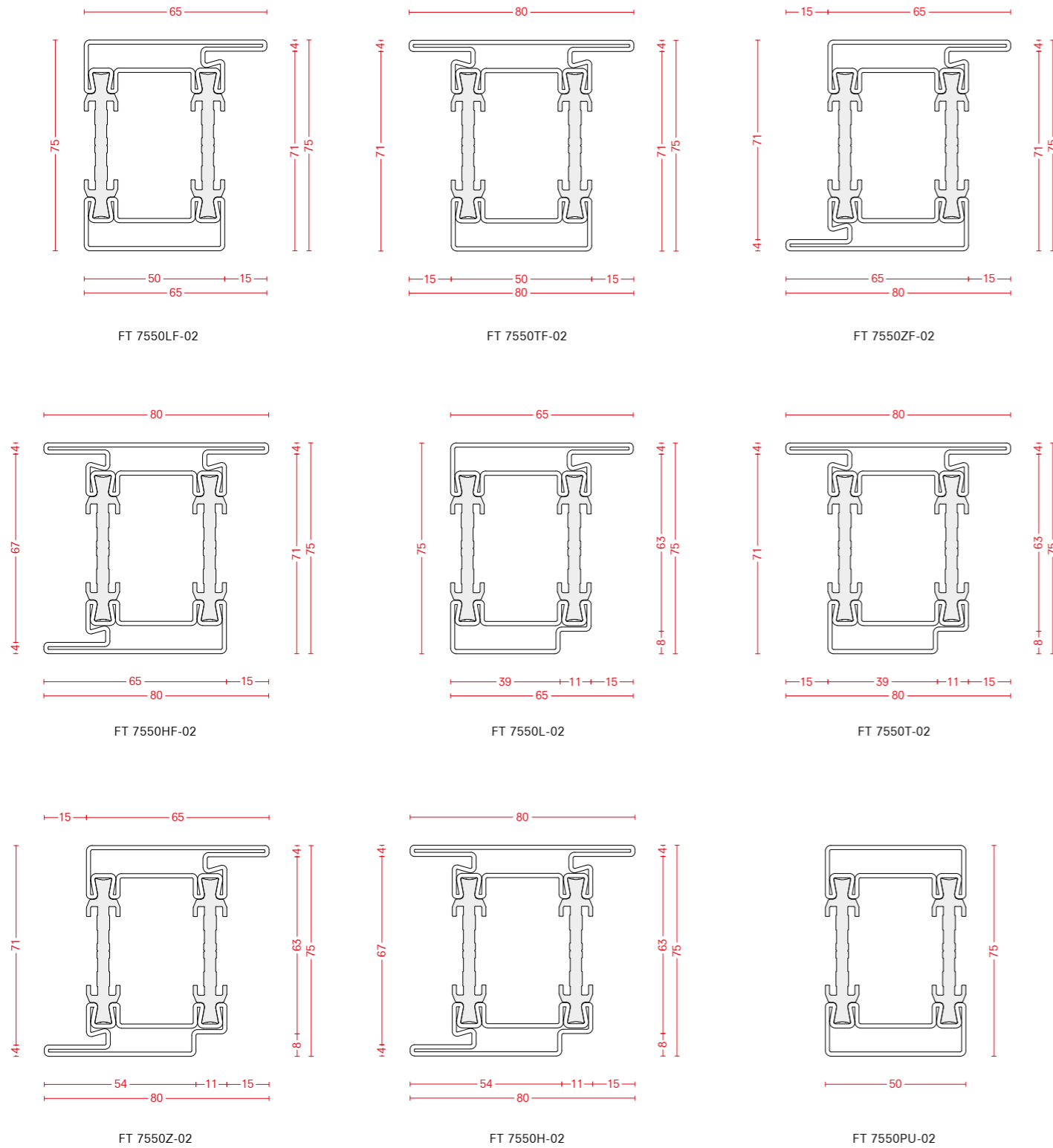
1. cold formed and sharp-edged 1,5 mm thick galvanized steel profiles - high precision production lines
2. continuously welded profile, high mechanical performance
3. external and internal overlapping sightlines
4. profile depth of 75 mm. compatible with high performance insulating glass
5. thermal barrier in glass-fibre reinforced polyamide
6. wide choice of glazing beads, rectangular, triangular and double "L" shape
7. EPDM co-extruded sealing gaskets
8. wide range of exclusive fittings, including visible and concealed hinges
9. inwards and outwards opening doors, single and double leaves
10. surface finishes in any RAL or customized colours



drawing scale 1:1

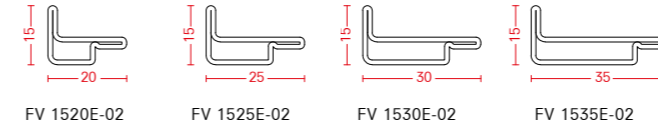
profile range – bar length 5800 mm

-02 Galvanized steel

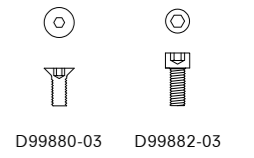


angular glazing beads – bar length 5800 mm

-02 Galvanized steel -03 Stainless steel AISI 304 2B

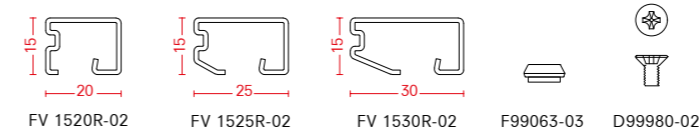


fixing screws

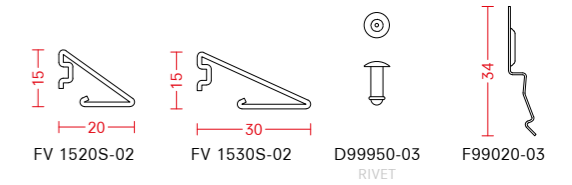


snap-on glazing beads – bar length 5800 mm

-02 Galvanized steel -03 Stainless steel AISI 304 2B

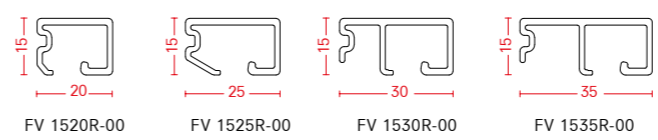


clips

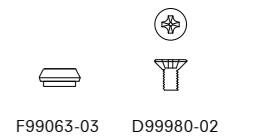


snap-on glazing beads – bar length 5800 mm

-00 Aluminum -02 Galvanized steel -03 Stainless steel AISI 304 2B



fixing screws



rebate gaskets

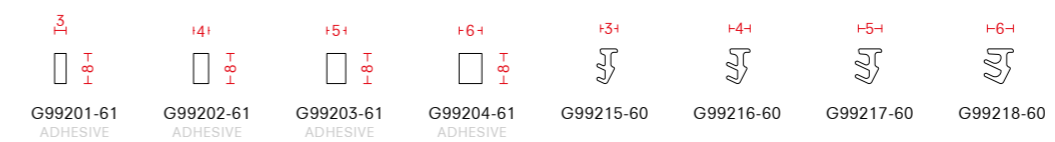
-60 Black EPDM -61 Neoprene -62 PVC -77 White EPDM



glass – external gaskets

glass – internal gaskets

-60 Black EPDM -61 Neoprene



end pieces for second leaf



automatic drop seal

-35 Black -41 Grey RAL 7035 -62 PVC



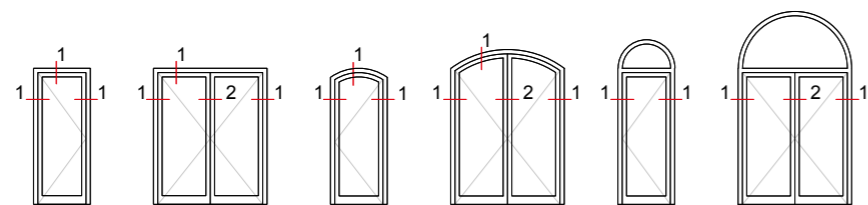
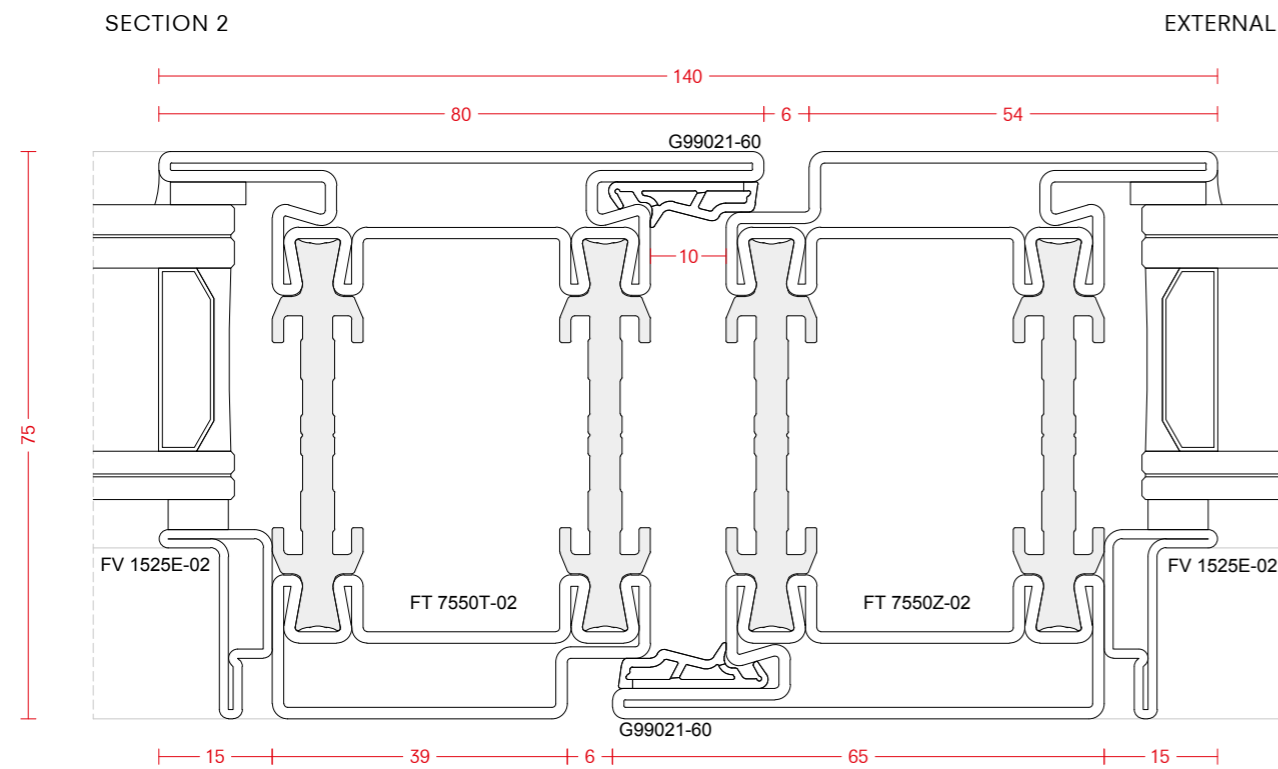
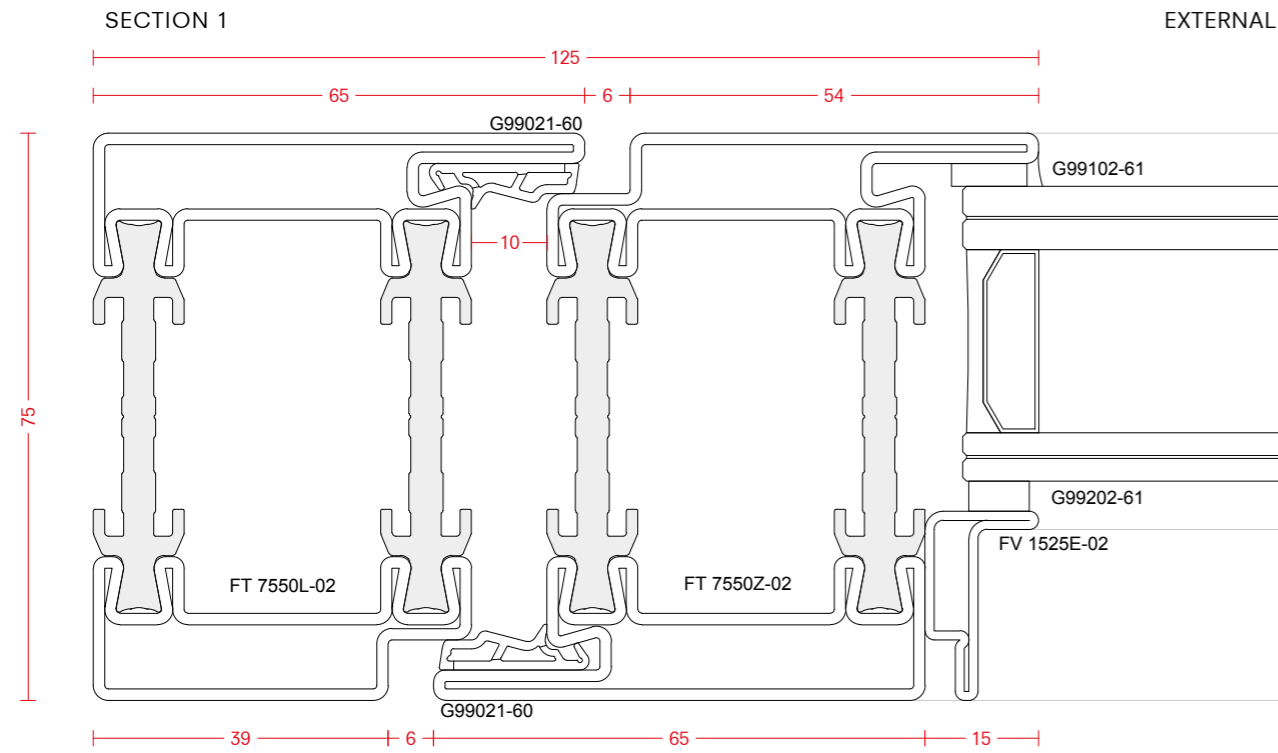
fittings examples – see accessories chapter and Handles Catalogue for details

-00 Aluminum -02 Galvanized steel SN Satin nickel

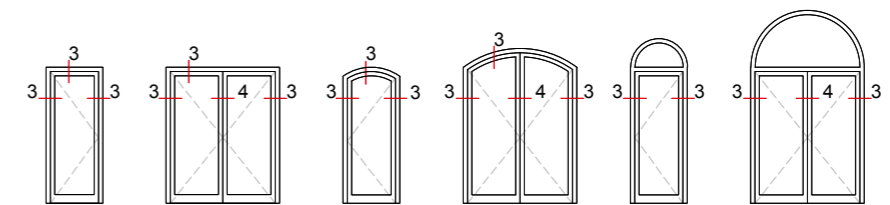
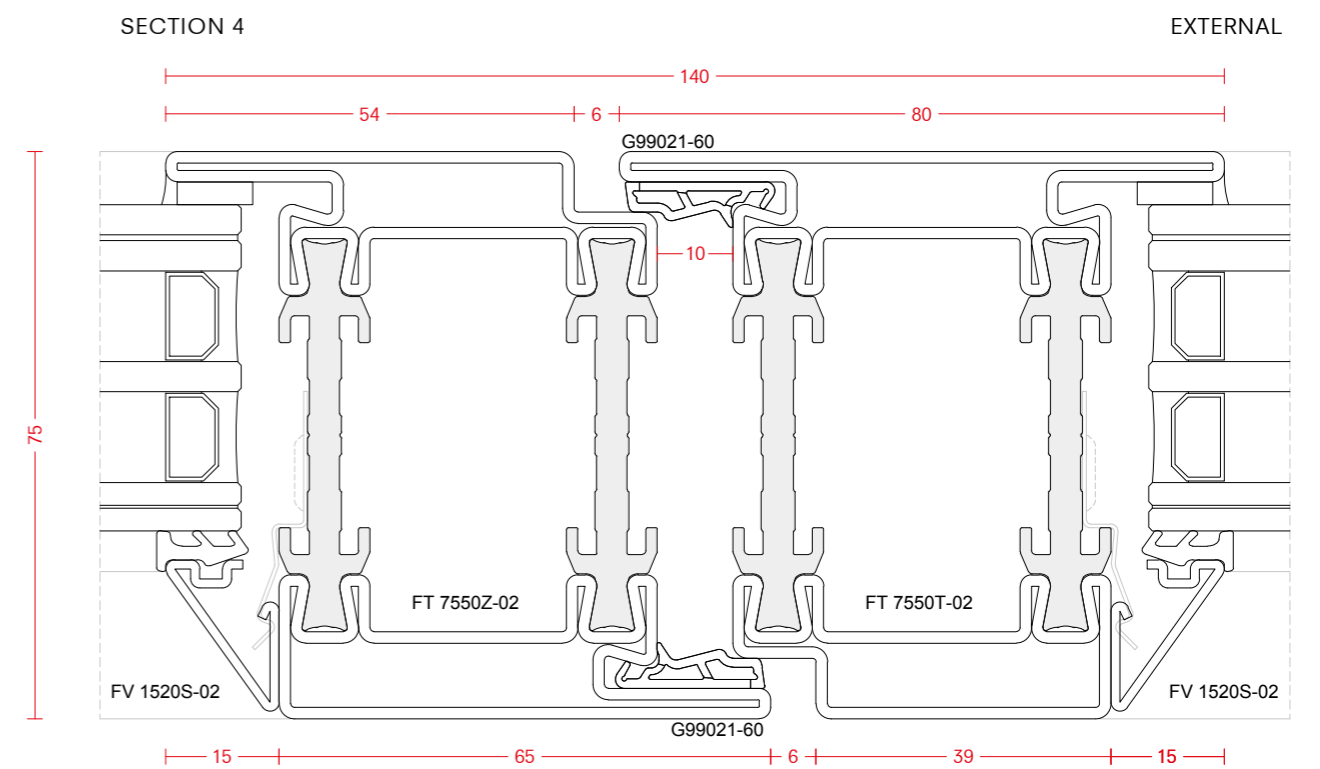
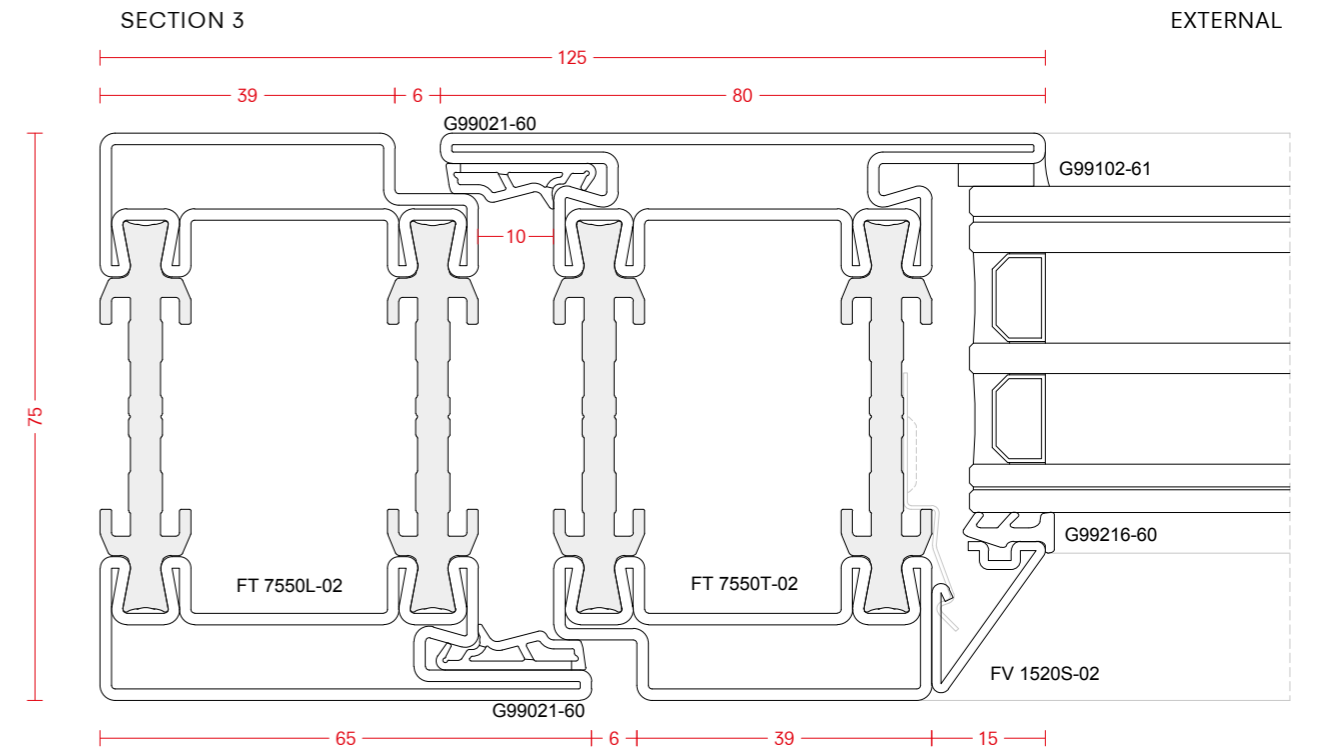


weather bars

examples - open in



examples - open out





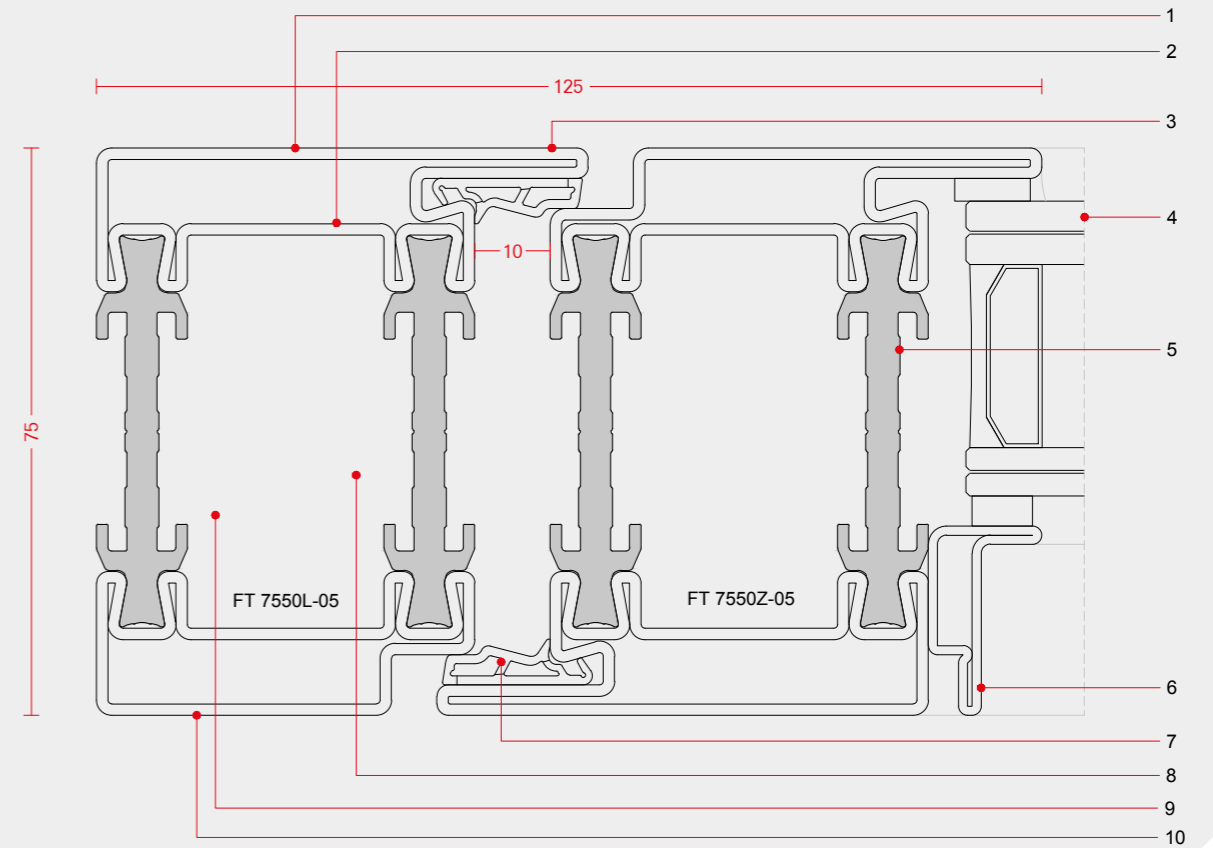
## FerroFinestra D75 TB Stainless steel

The new thermal break series for doors D75 TB is also available in stainless steel AISI 316L: the high performance of the D75 thermal break system in the best stainless steel alloy. Suitable for environments with extremely aggressive weather conditions, the stainless steel D75 TB door series allows for the installation of energy saving insulating glass. The design is still refined and streamlined, for doors of outstanding beauty.



### MAIN FEATURES

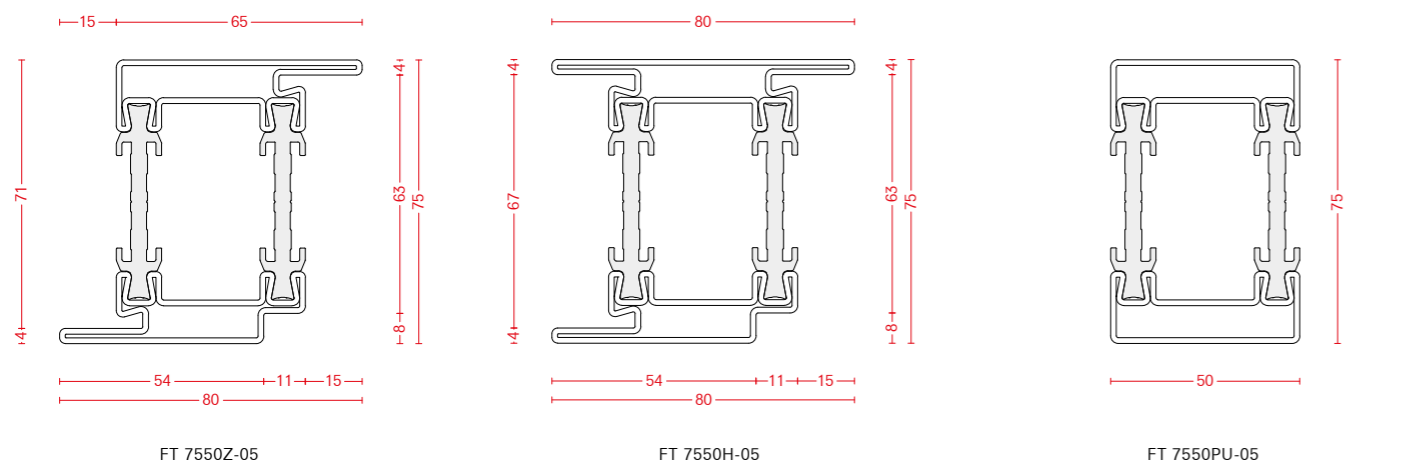
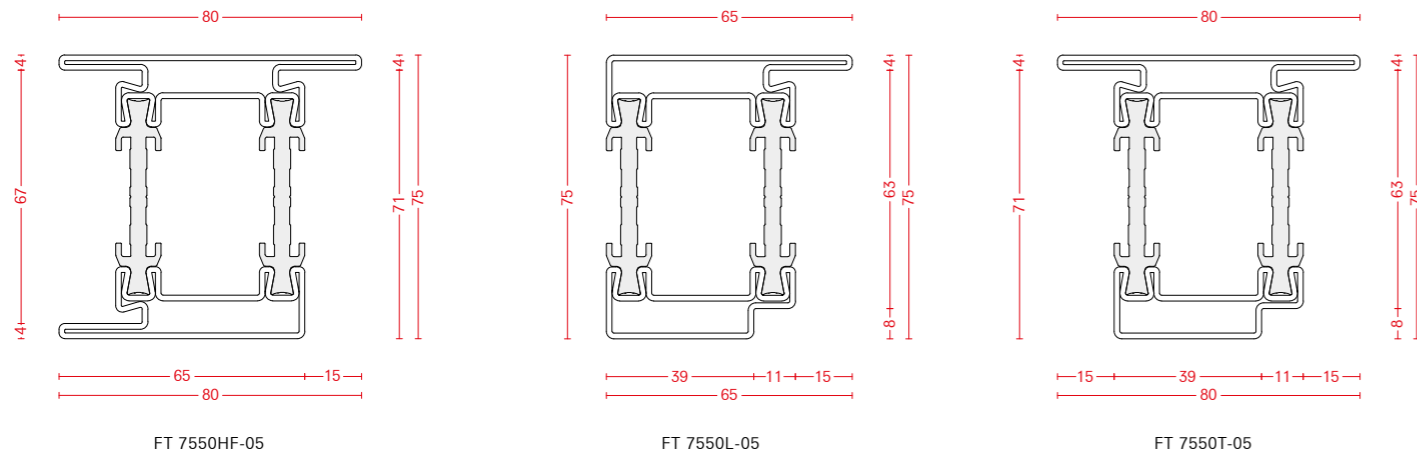
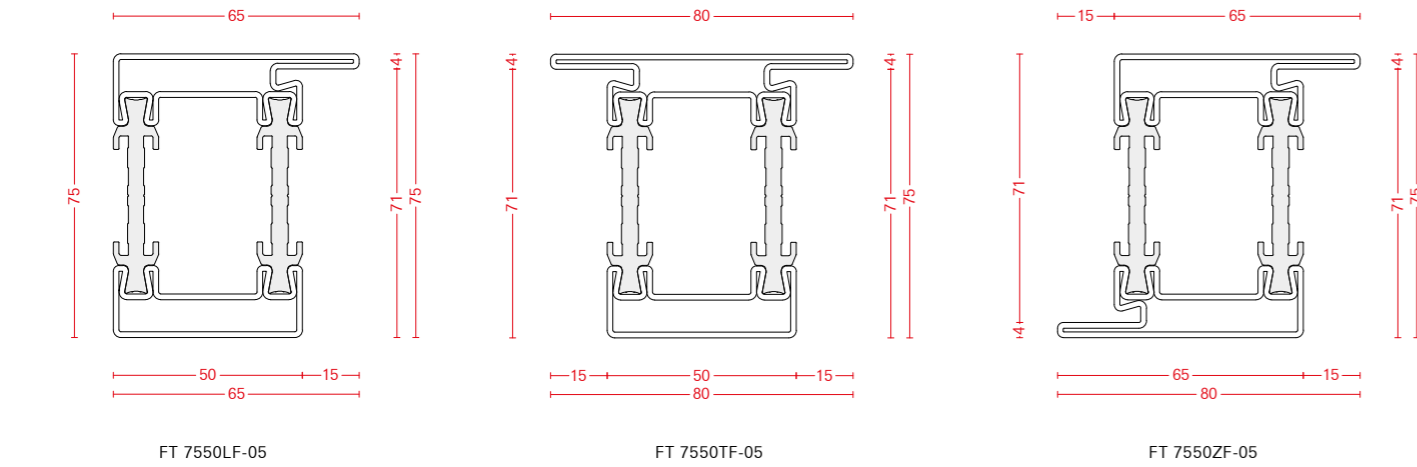
1. cold formed and sharp-edged 1,5 mm thick stainless steel AISI 316L profiles - high precision production lines
2. continuously welded profile, high mechanical performance
3. external and internal overlapping sightlines
4. profile depth of 75 mm. compatible with high performance insulating glass
5. thermal barrier in glass-fibre reinforced polyamide
6. wide choice of glazing beads, rectangular, triangular and double "L" shape
7. EPDM co-extruded sealing gaskets
8. wide range of exclusive fittings, including visible and concealed hinges
9. inwards and outwards opening doors, single and double leaves
10. surface finishes: satinizing, polishing or blackening; powder coating in any RAL or customized colours, for great planning freedom



drawing scale 1:1

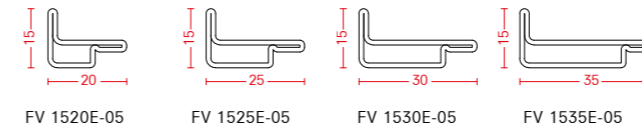
profile range – bar length 5800 mm

-05 Stainless steel AISI 316L 2B

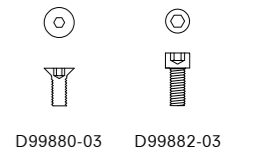


angular glazing beads – bar length 5800 mm

-03 Stainless steel AISI 304 2B -05 Stainless steel AISI 316L 2B

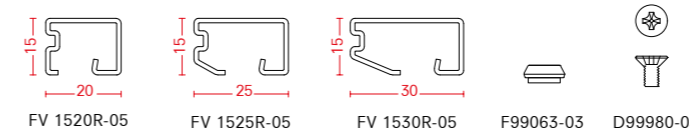


fixing screws

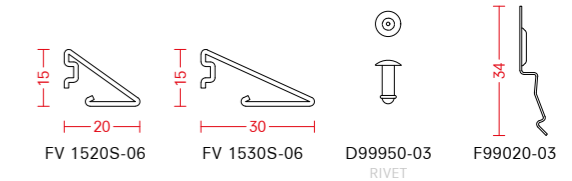


snap-on glazing beads – bar length 5800 mm

-03 Stainless steel AISI 304 2B -05 Stainless steel AISI 316L 2B -06 Satin stainless steel AISI 316L



clips



rebate gaskets

-60 Black EPDM -61 Neoprene -62 PVC



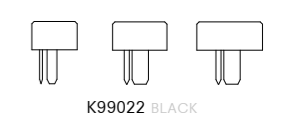
glass – external gaskets

glass – internal gaskets

-60 Black EPDM -61 Neoprene



end pieces for second leaf



automatic drop seal

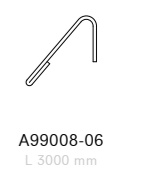
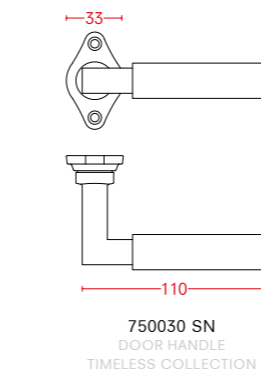
-35 Black -41 Grey RAL 7035 -62 PVC



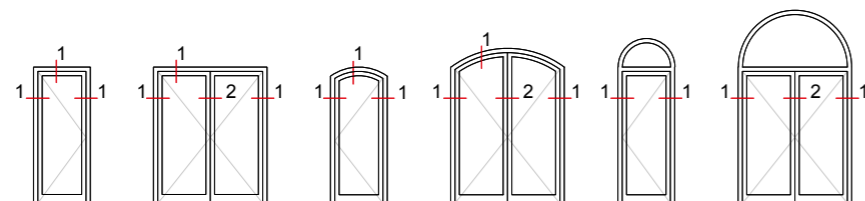
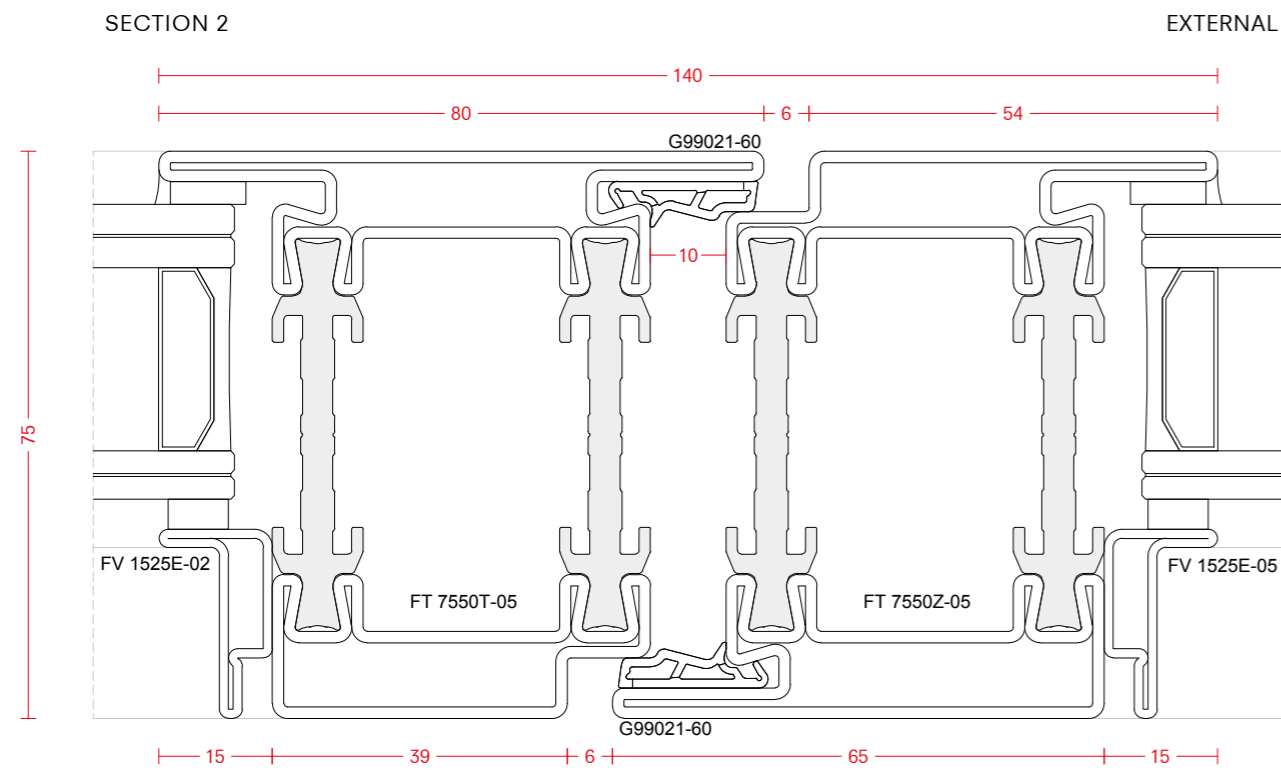
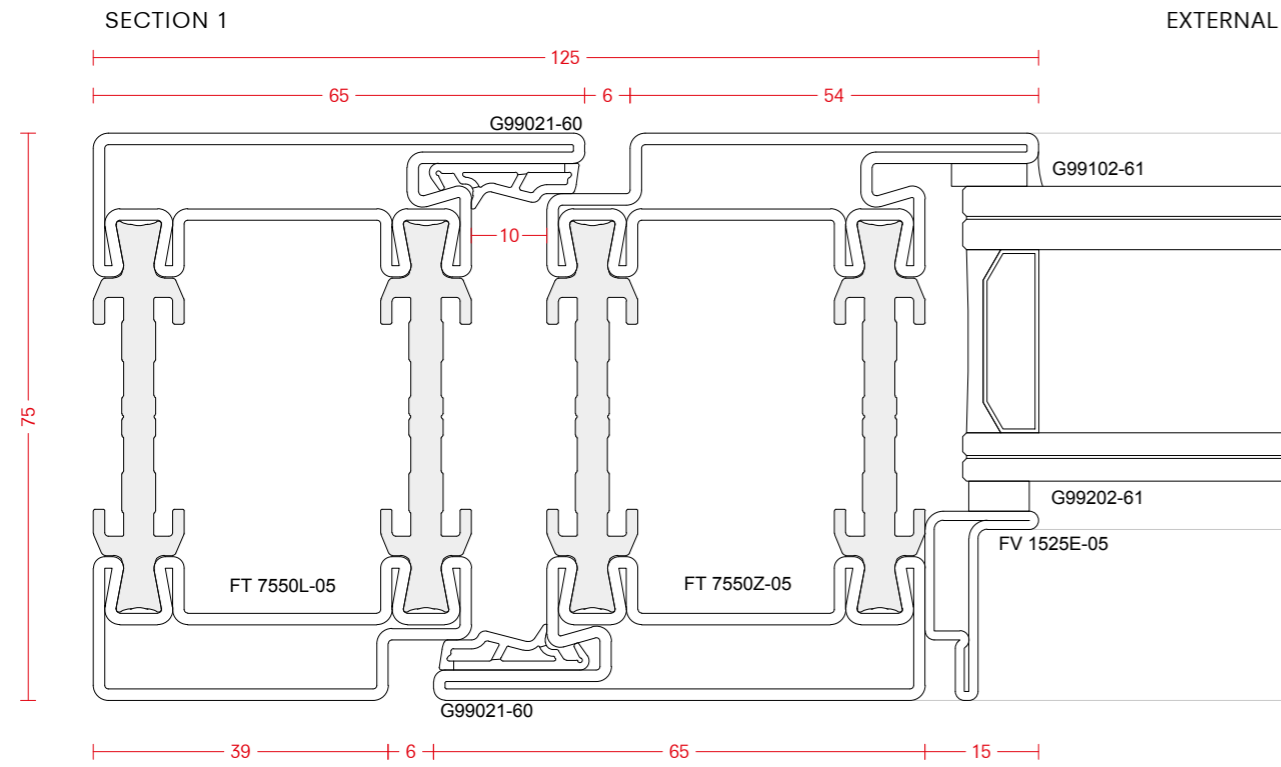
fittings examples – see accessories chapter and Handles Catalogue for details

weather bars

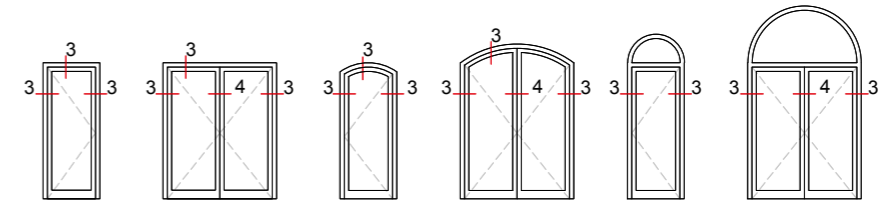
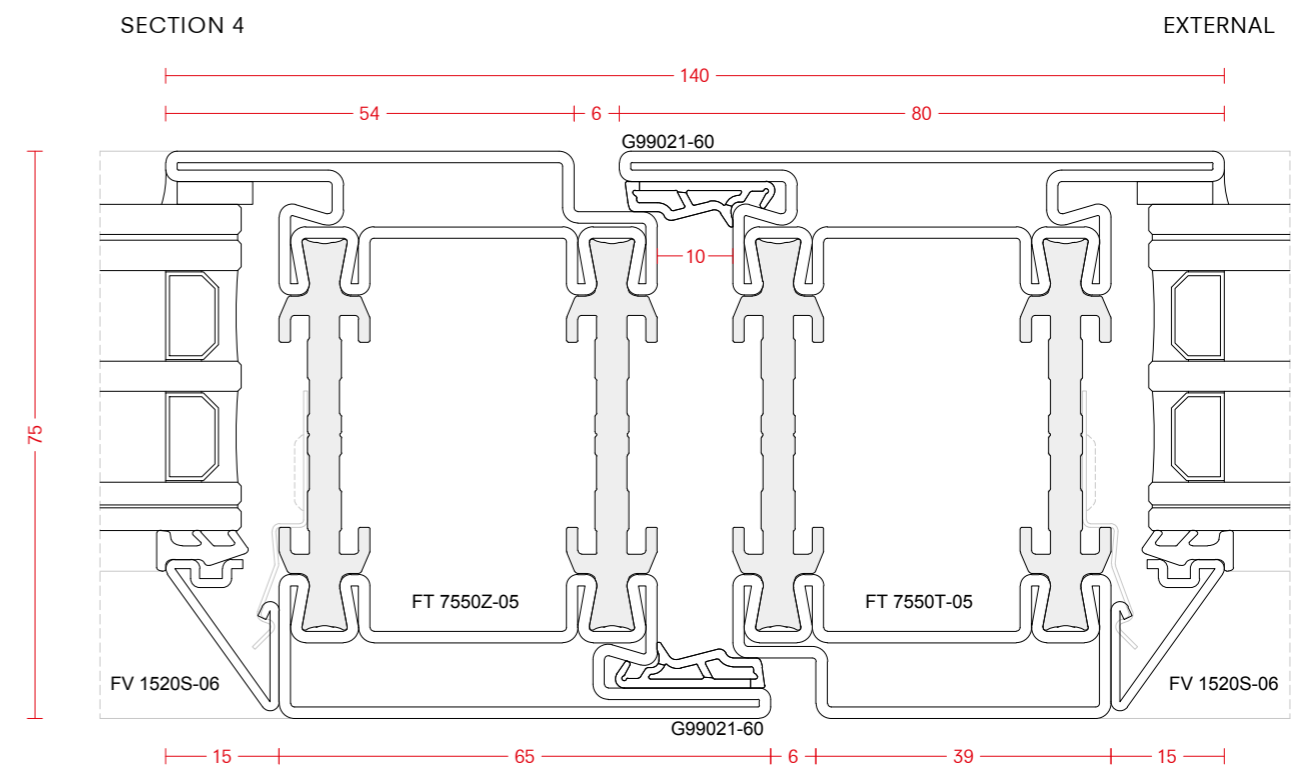
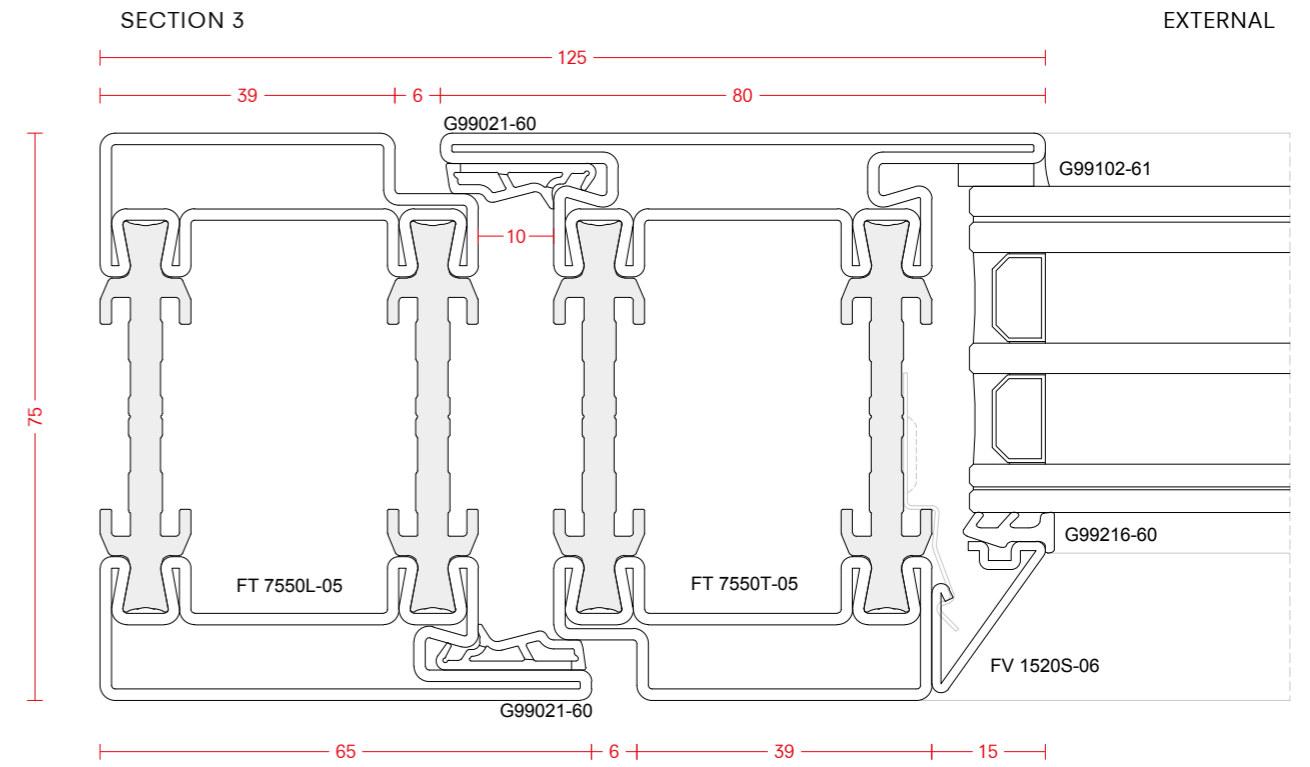
-06 Satin stainless steel AISI 316L SN Satin nickel



examples - open in



examples - open out



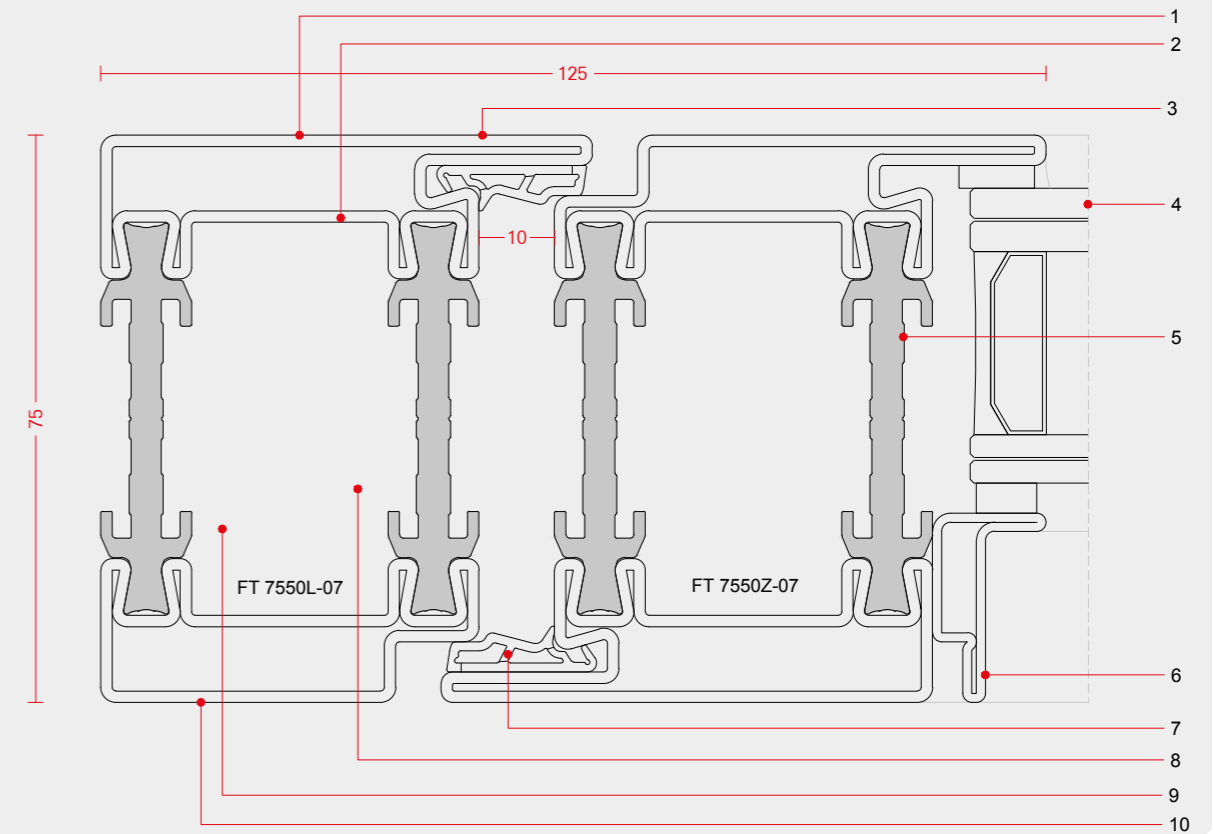
## FerroFinestra D75 TB Cor-Ten steel

The new series for thermal break doors in Cor-Ten steel combines the high performance of the D75 TB system with the suggestive beauty of Cor-Ten steel. A material with a great impact and outstanding beauty, in recent years Cor-Ten has become a widely used material in door and window frames, both in restoration and in new buildings. Cor-Ten is a natural, living material that takes on different and unique shades over time and through exposure to the elements. The D75 TB Cor-Ten steel profile allows for large dimensional ranges, enhancing the style of the façade and of the interiors.



### MAIN FEATURES

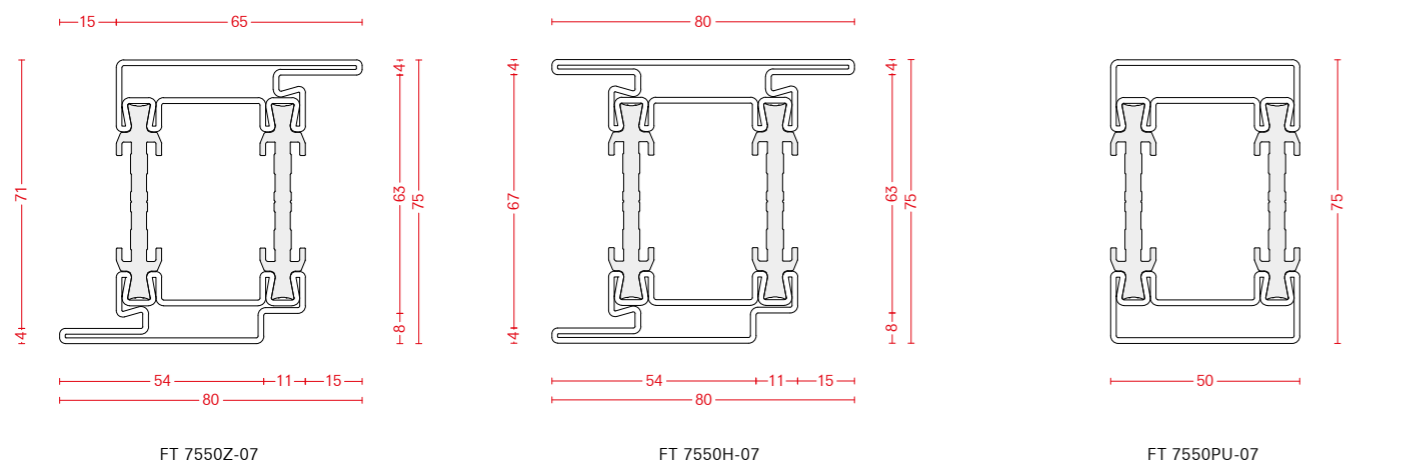
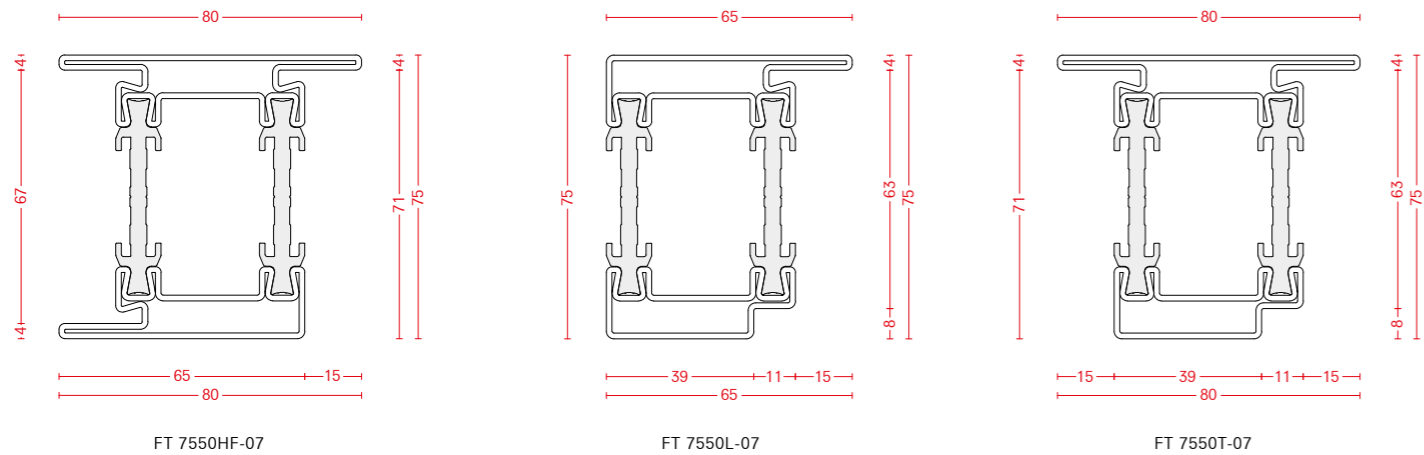
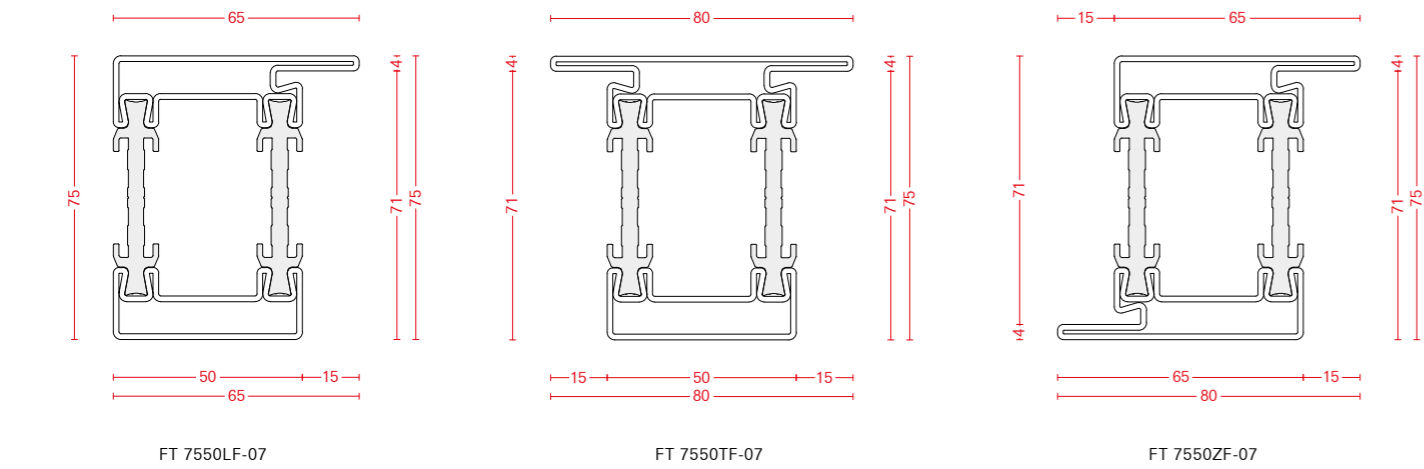
1. cold formed and sharp-edged 1,5 mm thick Cor-Ten steel profiles - high precision production lines
2. continuously welded profile, high mechanical performance
3. external and internal overlapping sightlines
4. profile depth of 75 mm. compatible with high performance insulating glass
5. thermal barrier in glass-fibre reinforced polyamide
6. wide choice of glazing beads, rectangular, triangular and double "L" shape
7. EPDM co-extruded sealing gaskets
8. wide range of exclusive fittings, including visible and concealed hinges
9. inwards and outwards opening doors, single and double leaves
10. surface finish with the distinctive oxidation patina of Cor-Ten, properly stabilized



drawing scale 1:1

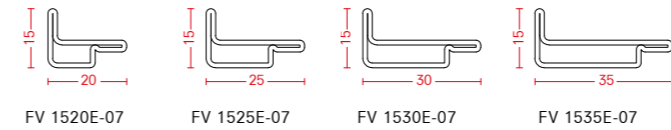
profile range – bar length 5800 mm

-07 Cor-Ten steel

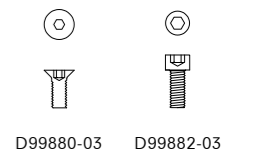


angular glazing beads – bar length 5800 mm

-03 Stainless steel AISI 304 2B -07 Cor-Ten steel

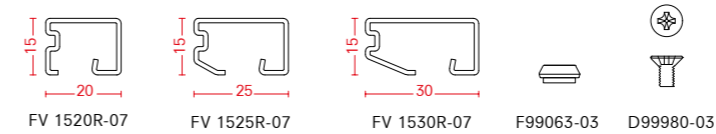


fixing screws

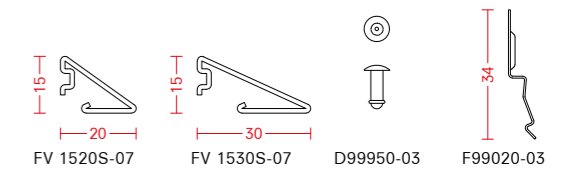


snap-on Cor-Ten glazing beads - bar length 5800 mm

-03 Stainless steel AISI 304 2B -07 Cor-Ten steel



clips



rebate gaskets

glass – external gaskets

-60 Black EPDM -61 Neoprene -62 PVC



glass – internal gaskets

end pieces for second leaf

-60 Black EPDM -61 Neoprene



automatic drop seal

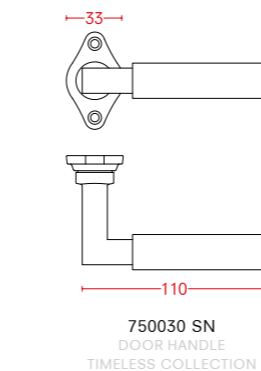
-35 Black -41 Grey RAL 7035 -62 PVC



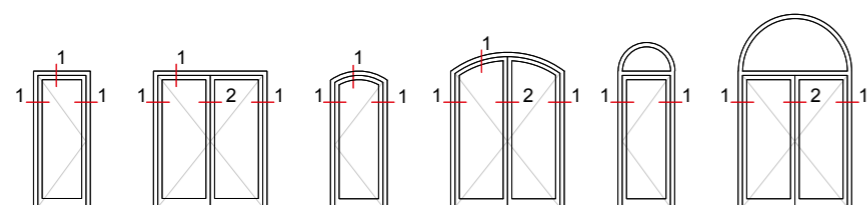
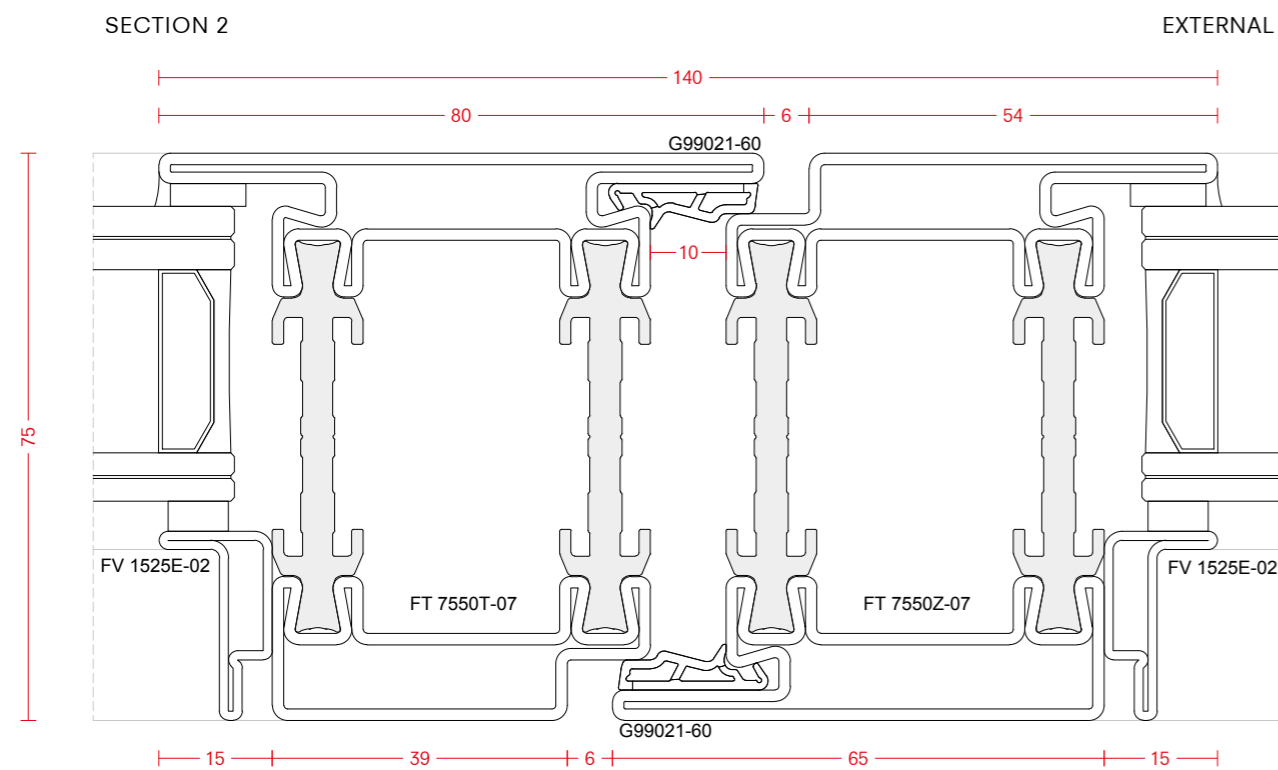
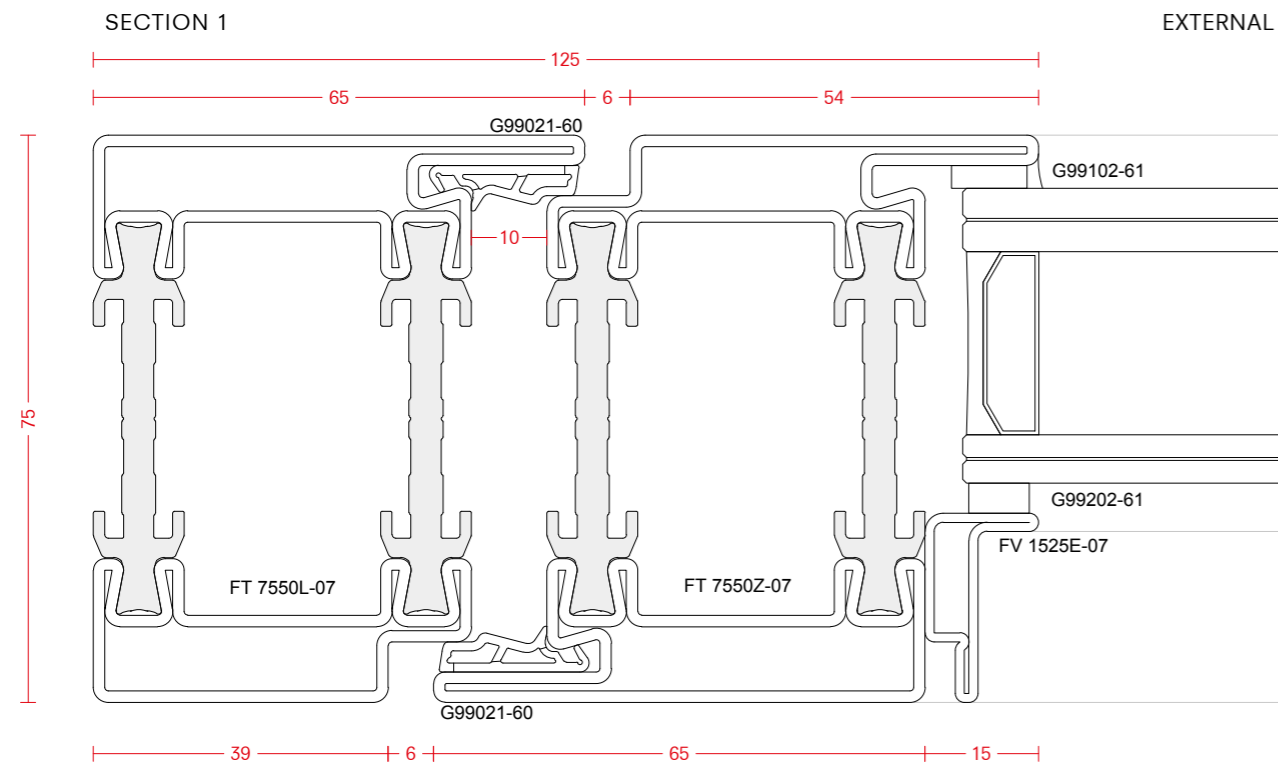
fittings examples – see accessories chapter and Handles Catalogue for details

weather bars

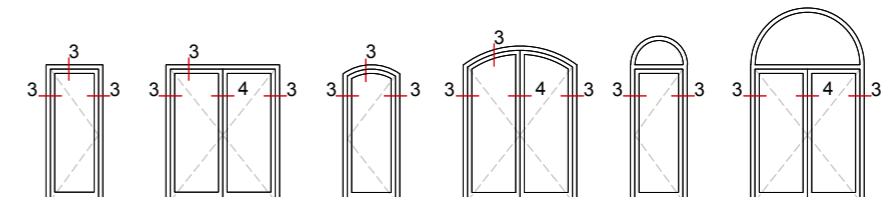
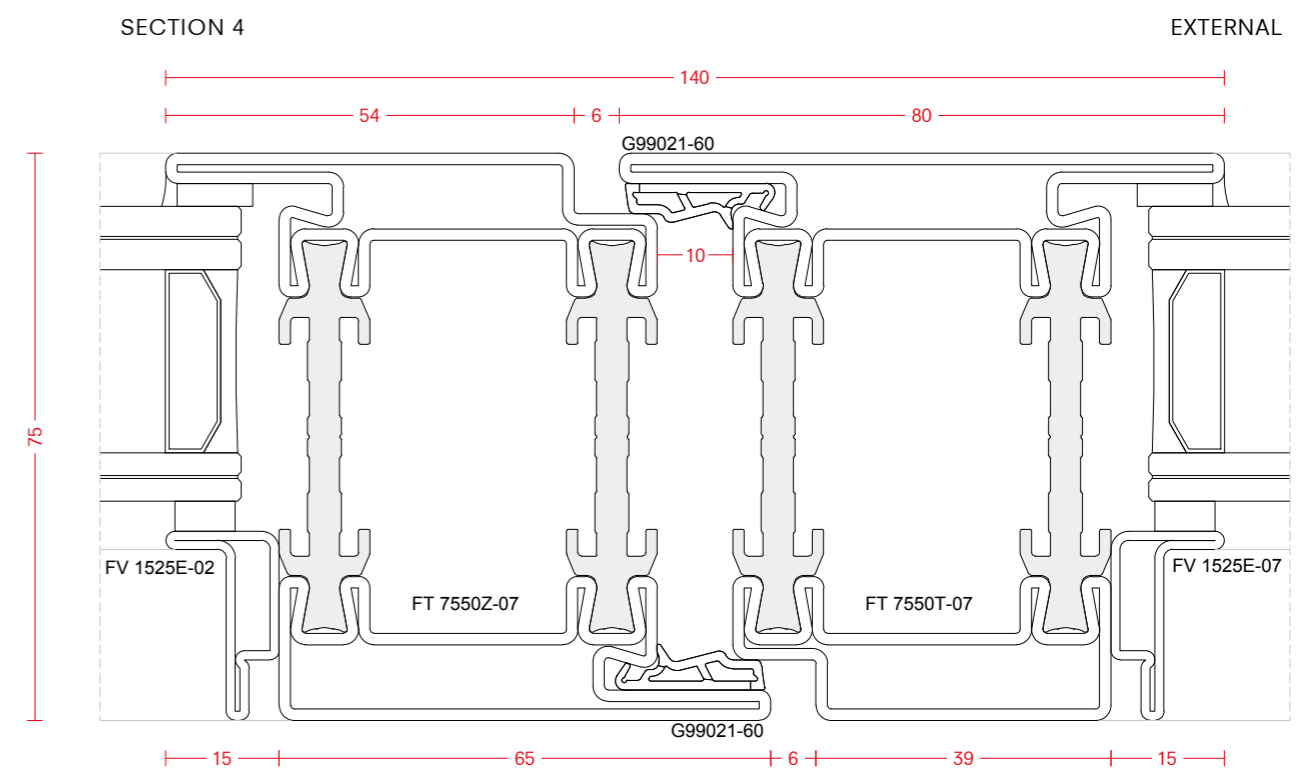
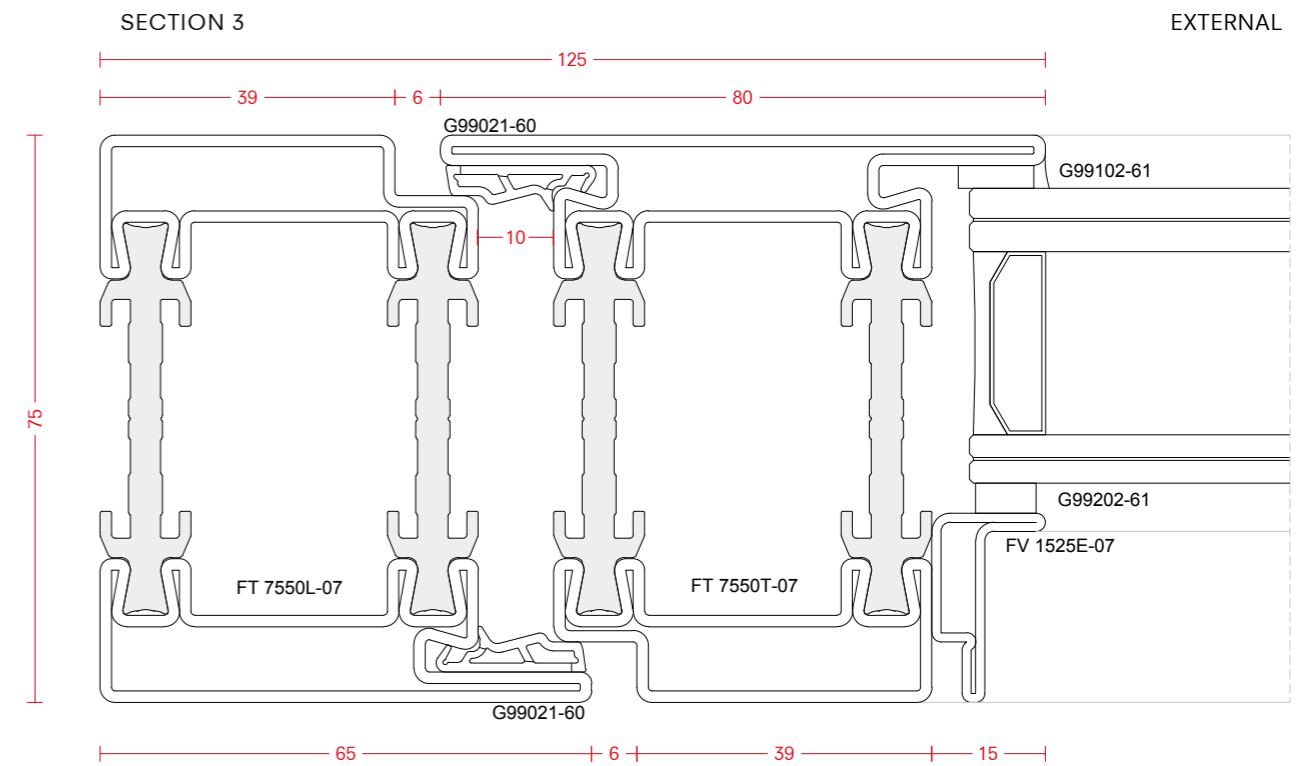
-07 Cor-Ten steel SN Satin nickel



examples - open in



examples - open out



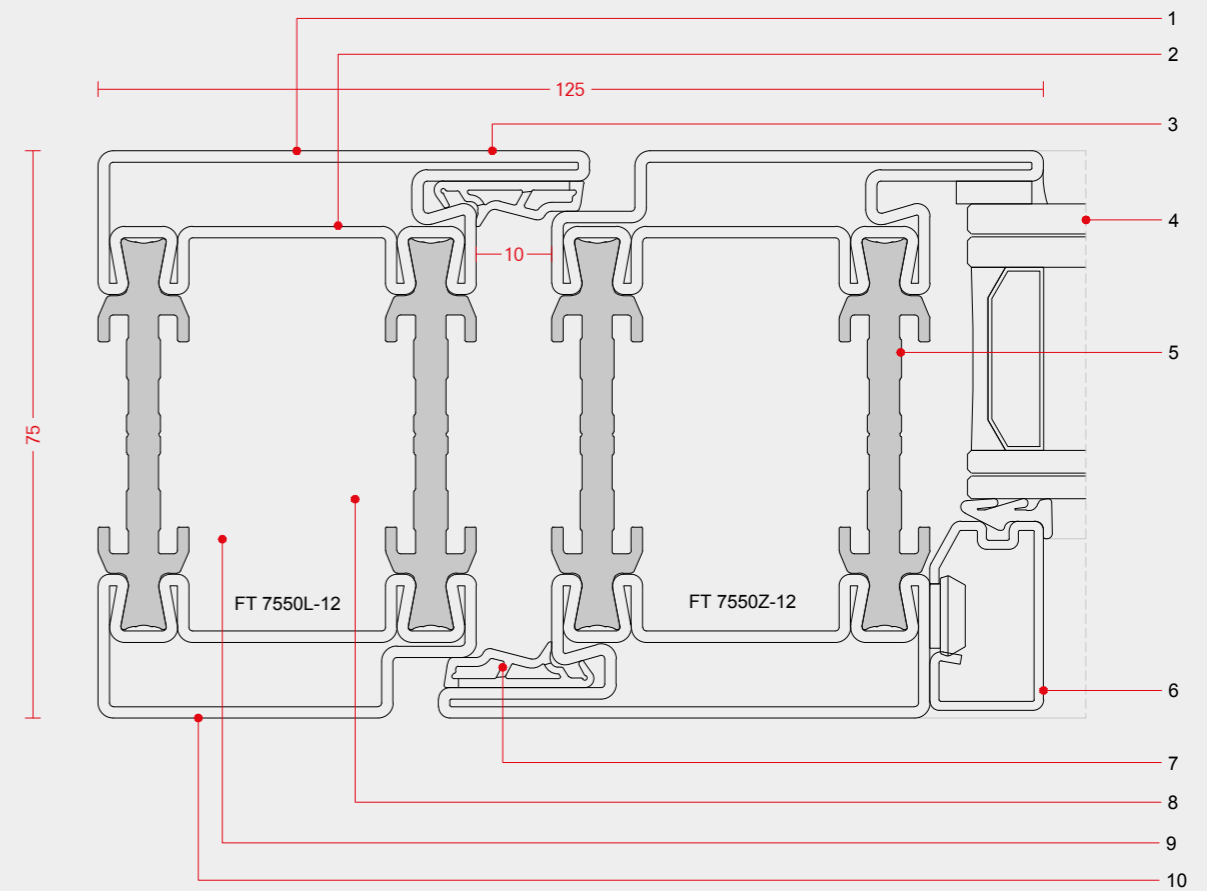
### FerroFinestra D75 TB Bright steel

In addition to galvanized steel, stainless steel and Cor-Ten steel, the D75 TB system is now also available in bright steel. It allows for all types of doors - including security and panic doors - while preserving the minimalist aesthetics that are a distinctive feature of all Ottostumm | Mogs systems. The high technology thermal barrier in glass fibre reinforced polyamide provides excellent thermal performance.



#### MAIN FEATURES

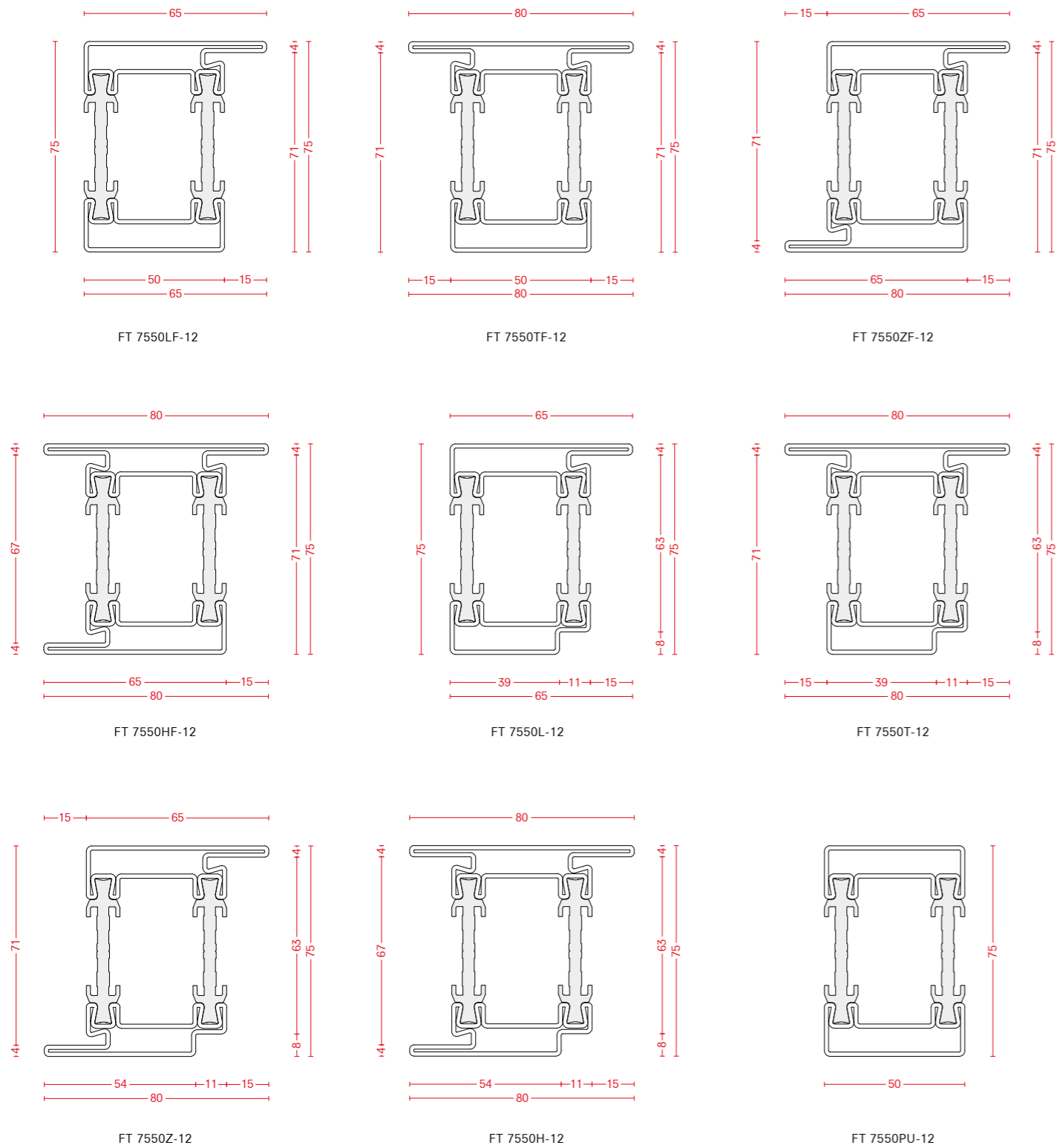
1. cold formed and sharp-edged 1,5 mm thick bright steel profiles - high precision production lines
2. continuously welded profile, high mechanical performance
3. external and internal overlapping sightlines
4. profile depth of 75 mm. compatible with high performance insulating glass
5. thermal barrier in glass-fibre reinforced polyamide
6. wide choice of glazing beads, rectangular, triangular and double "L" shape
7. EPDM co-extruded sealing gaskets
8. wide range of exclusive fittings, including visible and concealed hinges
9. inwards and outwards opening doors, single and double leaves
10. surface finishes in any RAL or customized colours



drawing scale 1:1

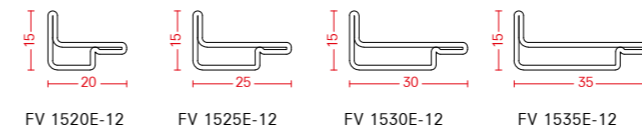
profile range – bar length 5800 mm

-12 Bright steel

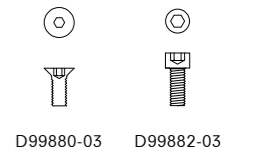


angular glazing beads – bar length 5800 mm

-03 Stainless steel AISI 304 2B -12 Bright steel

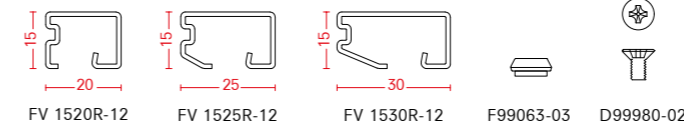


fixing screws

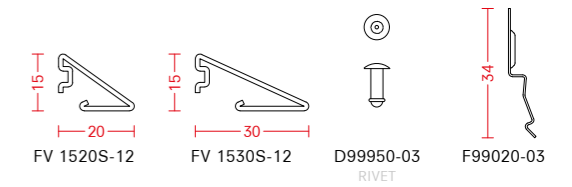


snap-on glazing beads – bar length 5800 mm

-02 Galvanized steel -03 Stainless steel AISI 304 2B -12 Bright steel

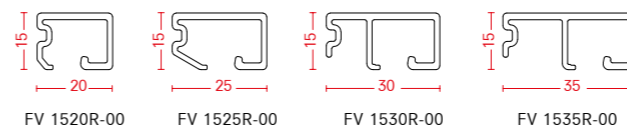


clips

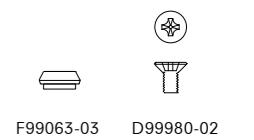


snap-on glazing beads – bar length 5800 mm

-00 Aluminum -02 Galvanized steel -03 Stainless steel AISI 304 2B



fixing screws



rebate gaskets

-60 Black EPDM -61 Neoprene -62 PVC -77 White EPDM



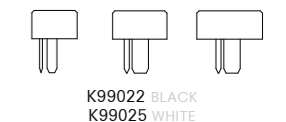
glass – external gaskets

glass – internal gaskets

-60 Black EPDM -61 Neoprene

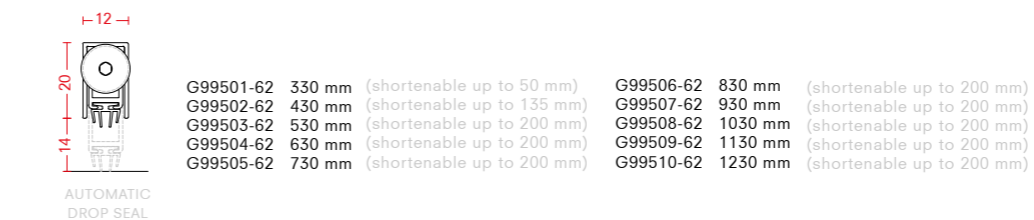


end pieces for second leaf



automatic drop seal

-35 Black -41 Grey RAL 7035 -62 PVC



fittings examples – see accessories chapter and Handles Catalogue for details

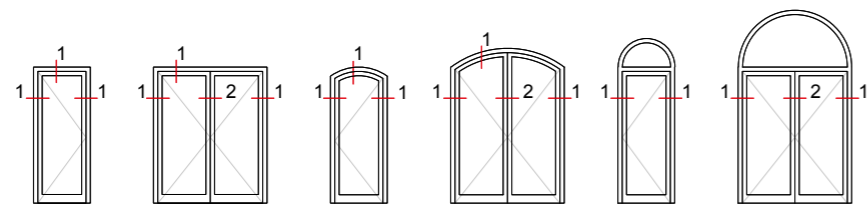
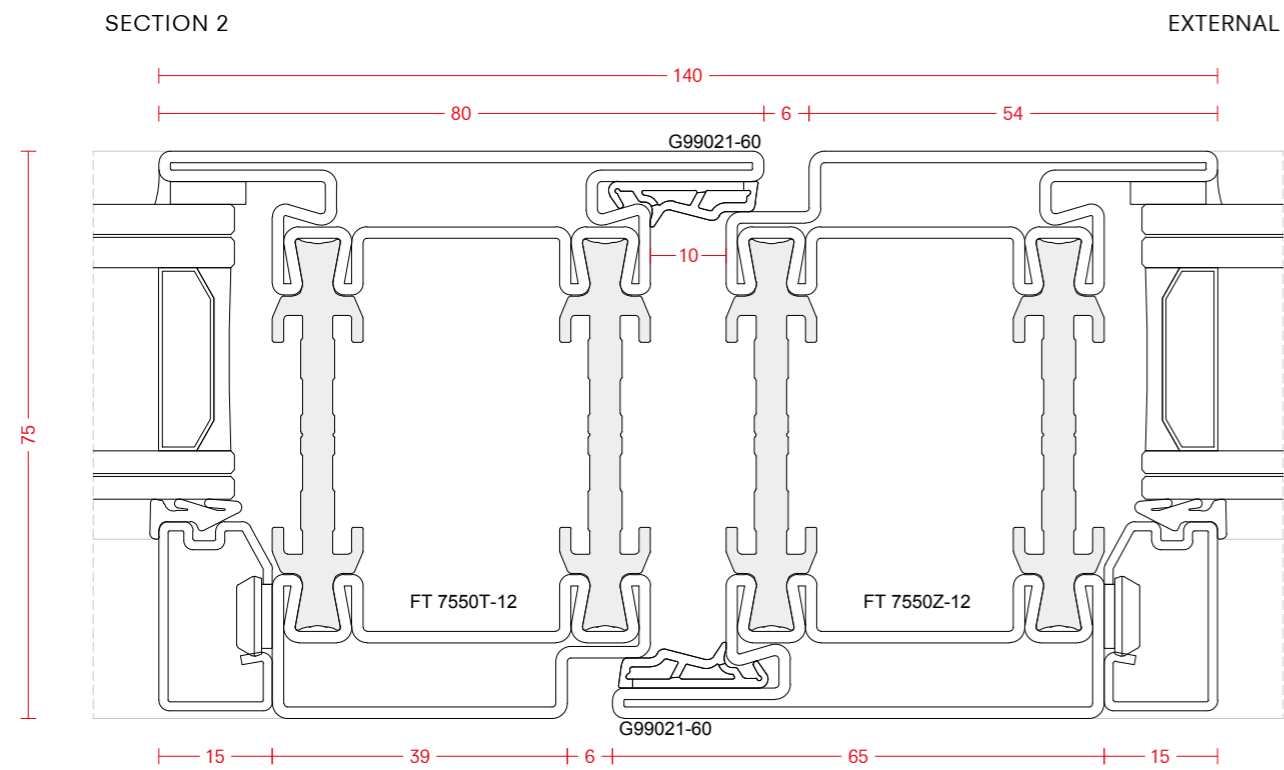
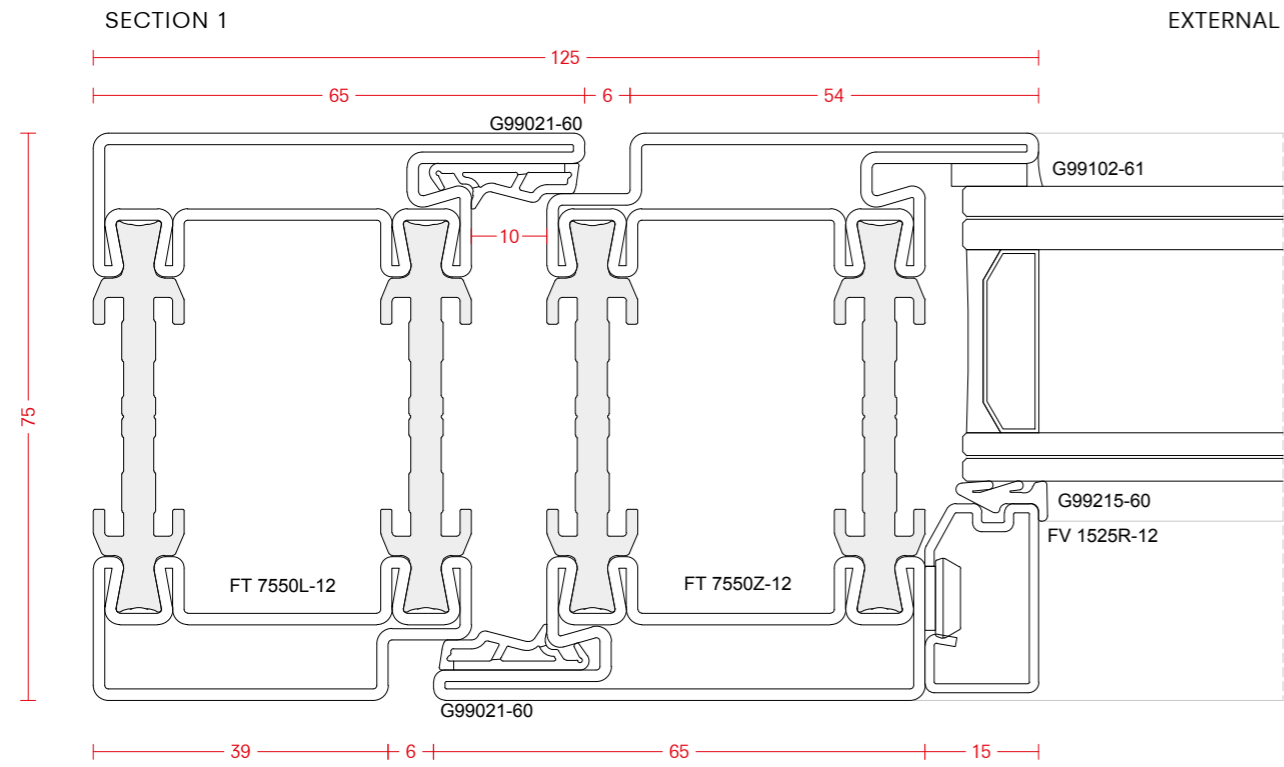
weather bars

-00 Aluminum -02 Galvanized steel SN Satin nickel

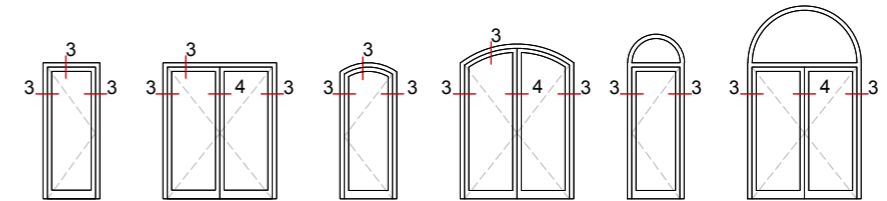
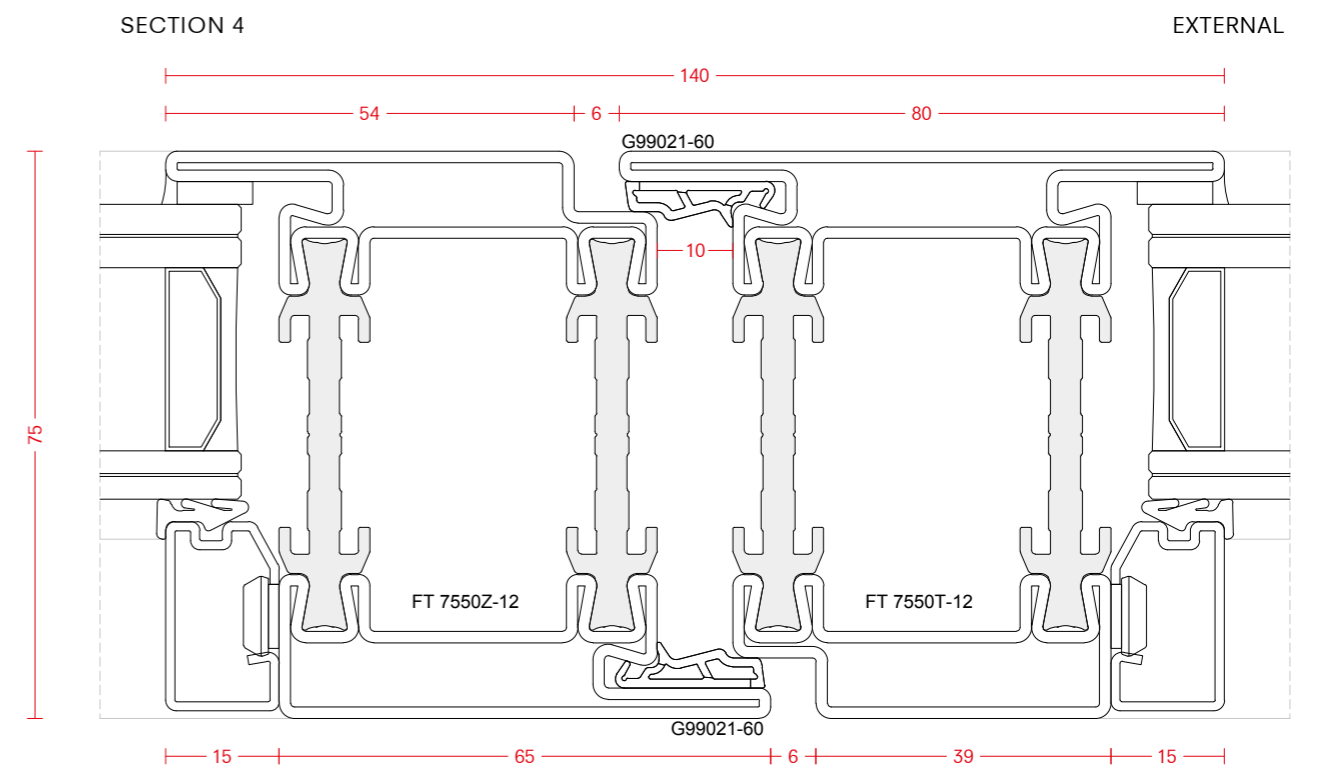
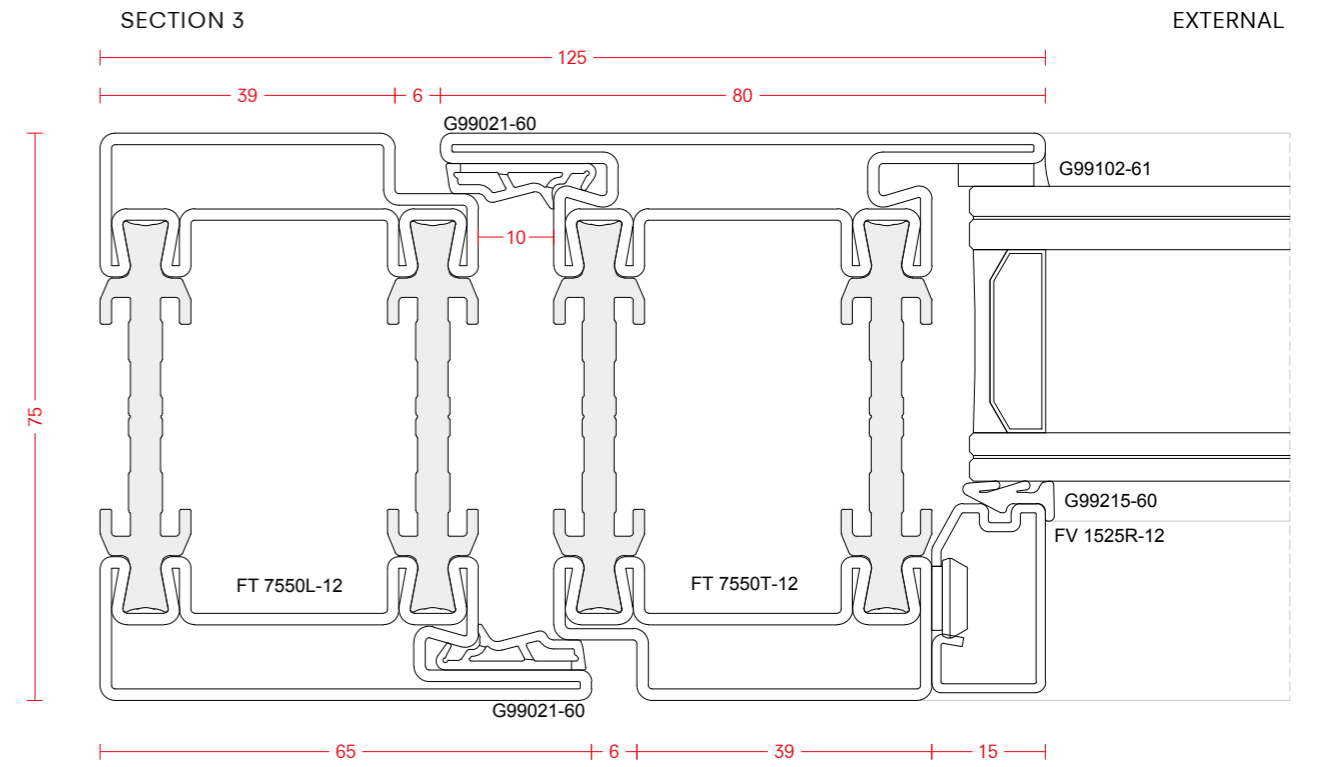




examples - open in



examples - open out



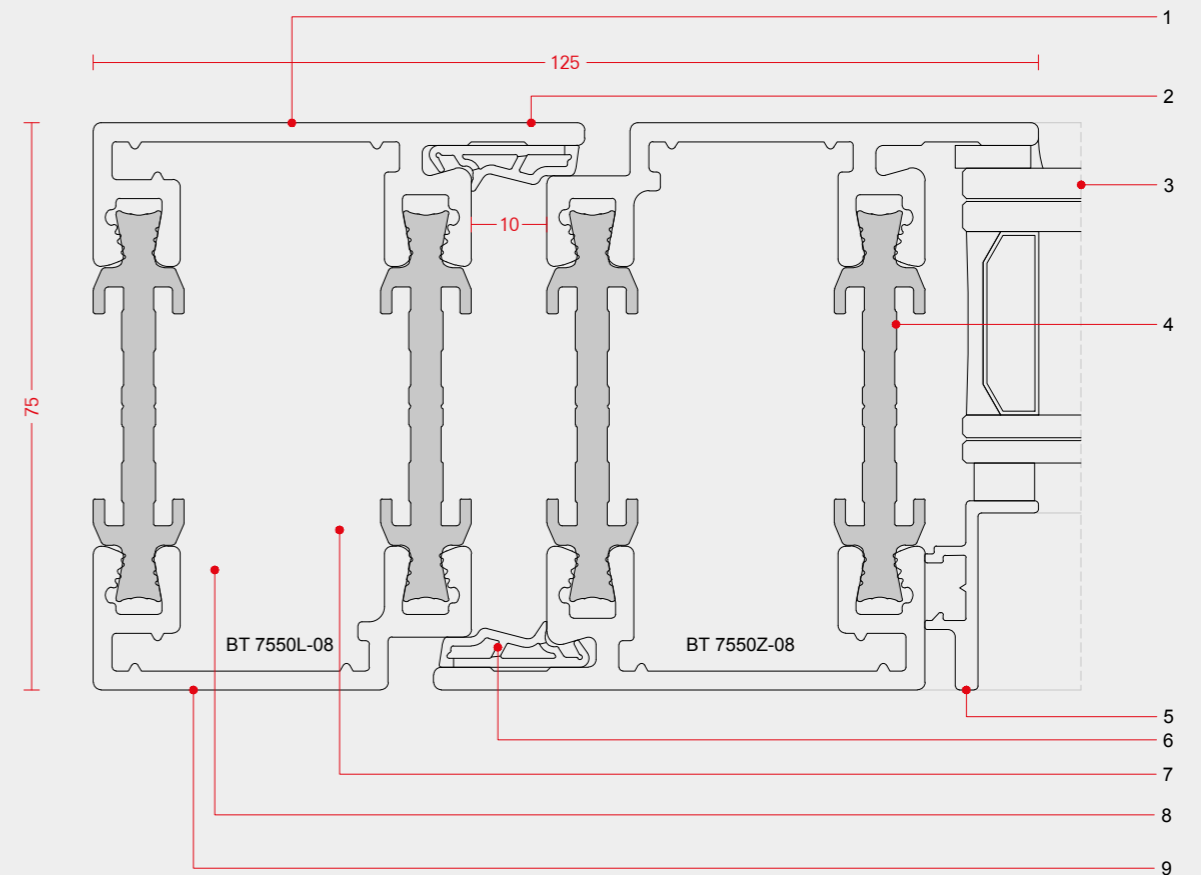
## BronzoFinestra DB75 TB

The Ottostumm | Mogs Architectural Bronze series is enriched with a range of special profiles for thermal break doors. Monolithic profiles in extruded bronze that have a significantly reduced visual impact compared to traditional doors, with extraordinary performance in terms of resistance and durability as well as energy saving. With a wide range of accessories, the DB75 TB series is intended for projects of great value, in a timeless style.



### MAIN FEATURES

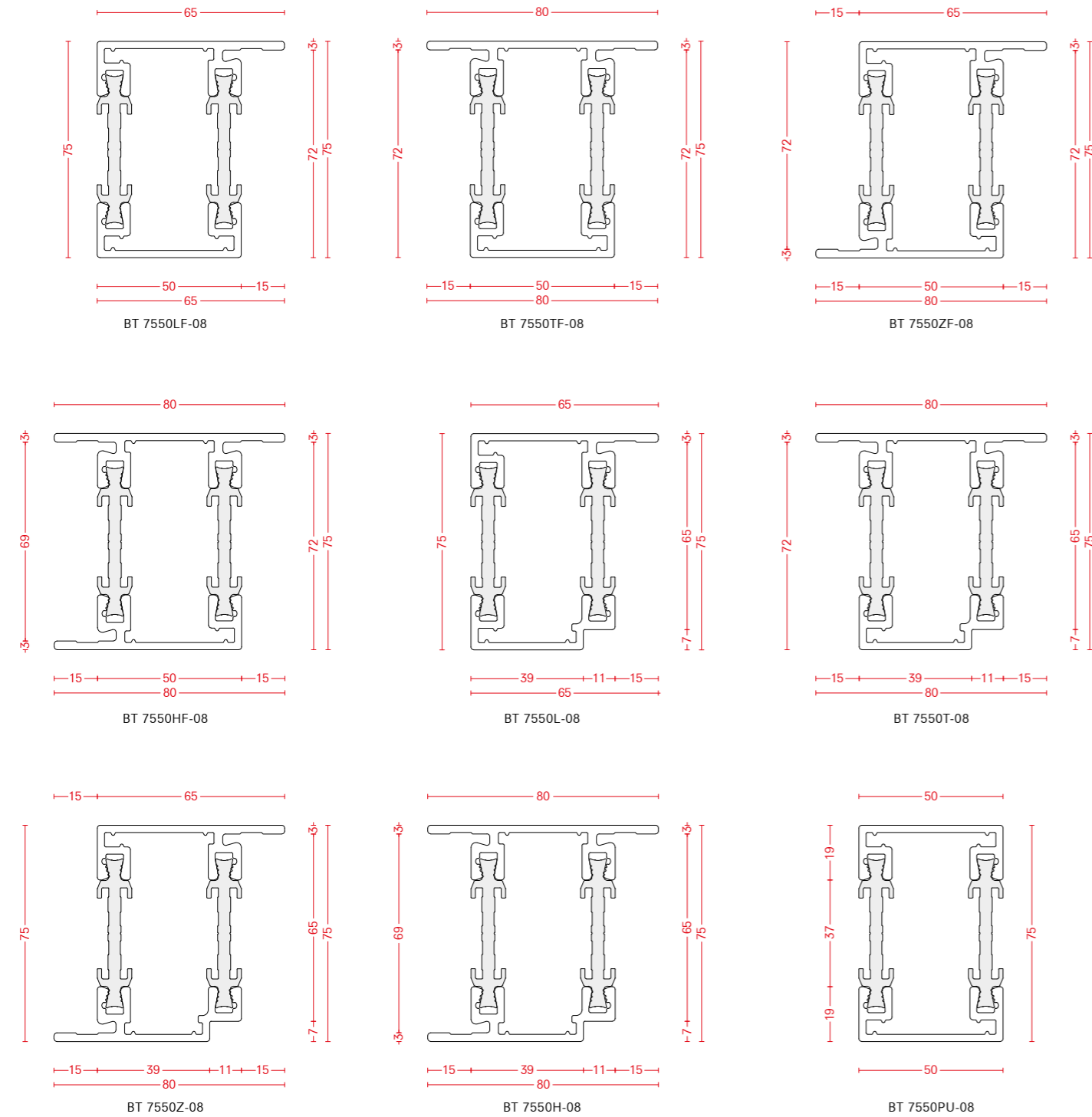
1. solid architectural bronze extruded profiles
2. external and internal overlapping sightlines
3. profile depth of 75 mm. compatible with high performance insulating glass
4. thermal barrier in glass-fibre reinforced polyamide
5. wide choice of glazing beads, rectangular, triangular and double "L" shape
6. EPDM co-extruded sealing gaskets
7. wide range of exclusive fittings, including visible and concealed hinges
8. inwards and outwards opening doors, single and double leaves
9. natural surface finish, or different shades of burnishing



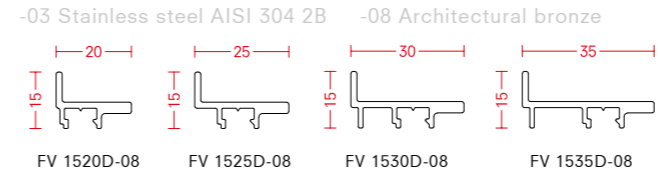
drawing scale 1:1

profile range – bar length 5800 mm

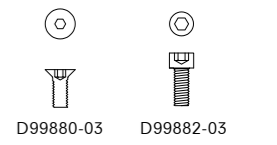
-08 Architectural bronze



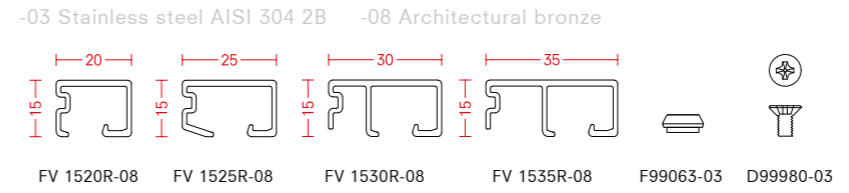
angular glazing beads – bar length 5800 mm



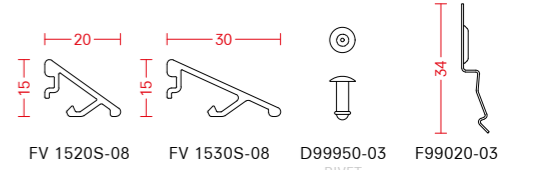
fixing screws



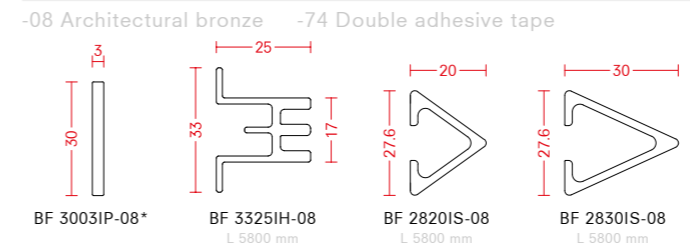
snap-on glazing beads – bar length 5800 mm



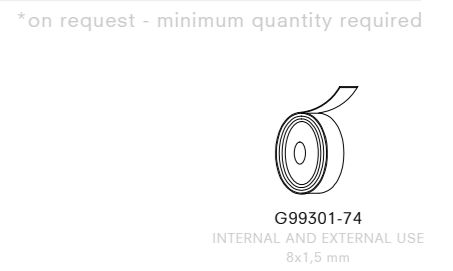
clips



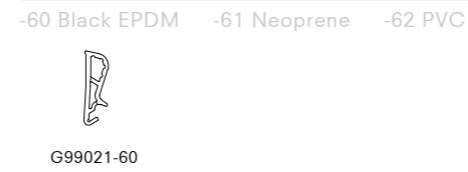
architectural bronze false muntins – bar length 3000 mm



double sided tape



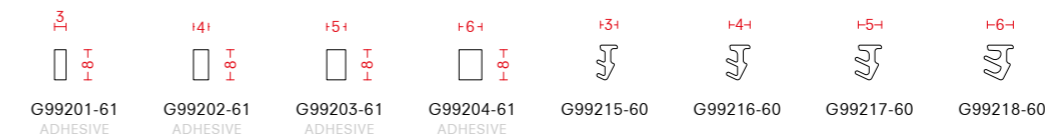
rebate gaskets



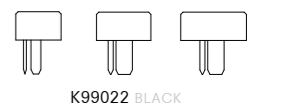
glass – external gaskets

glass – internal gaskets

-60 Black EPDM -61 Neoprene

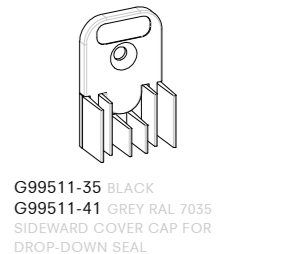


end pieces for second leaf



automatic drop seal

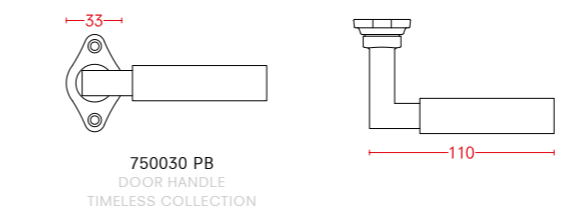
-35 Black -41 Grey RAL 7035 -62 PVC



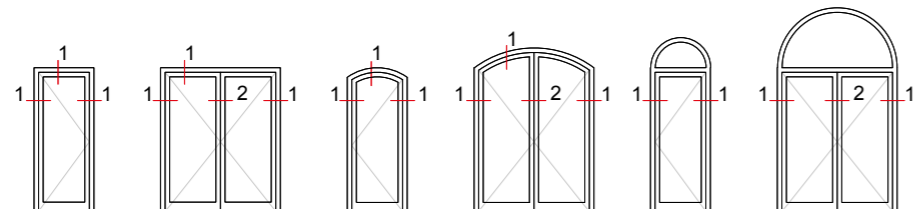
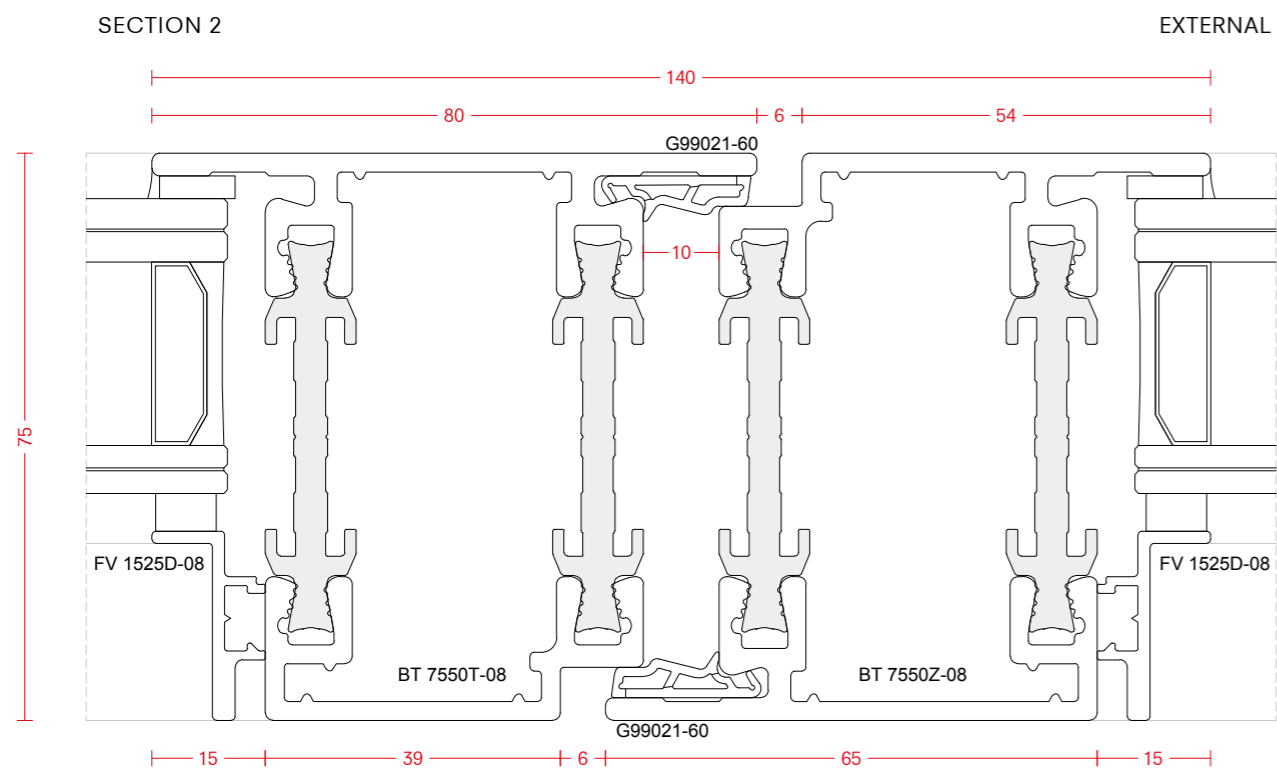
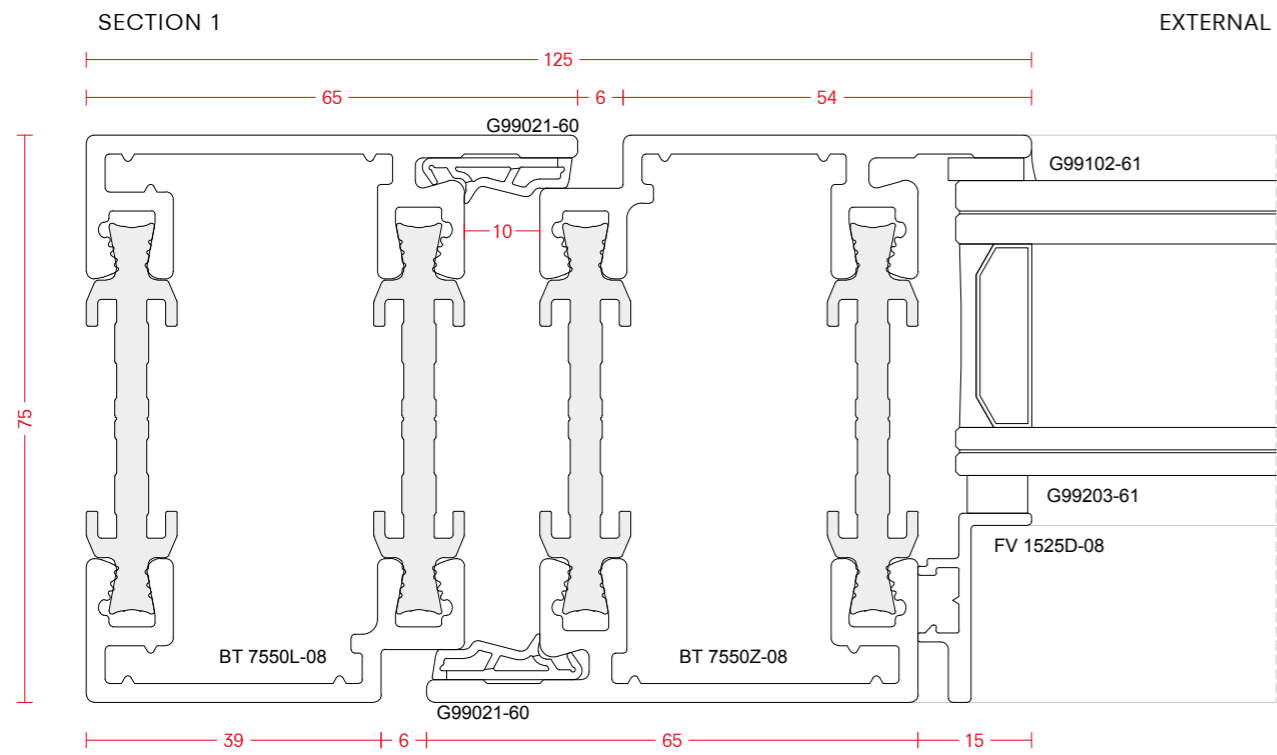
fittings examples – see accessories chapter and Handles Catalogue for details

weather bars

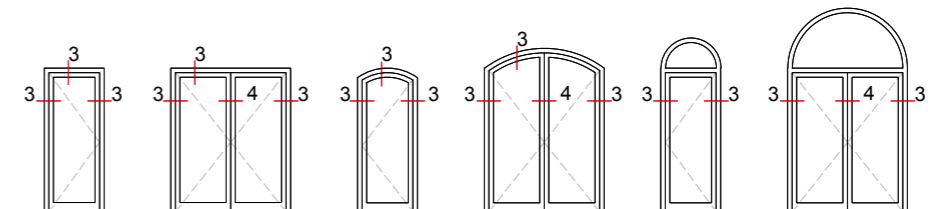
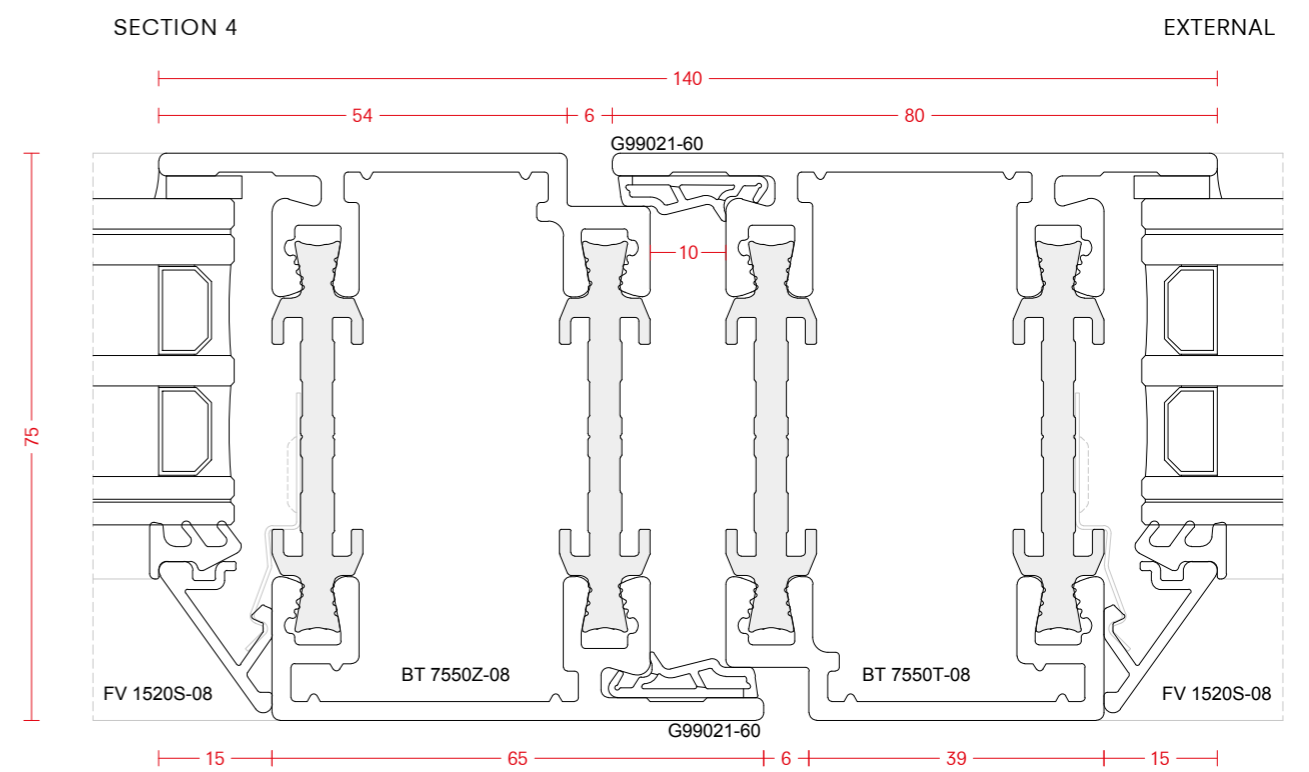
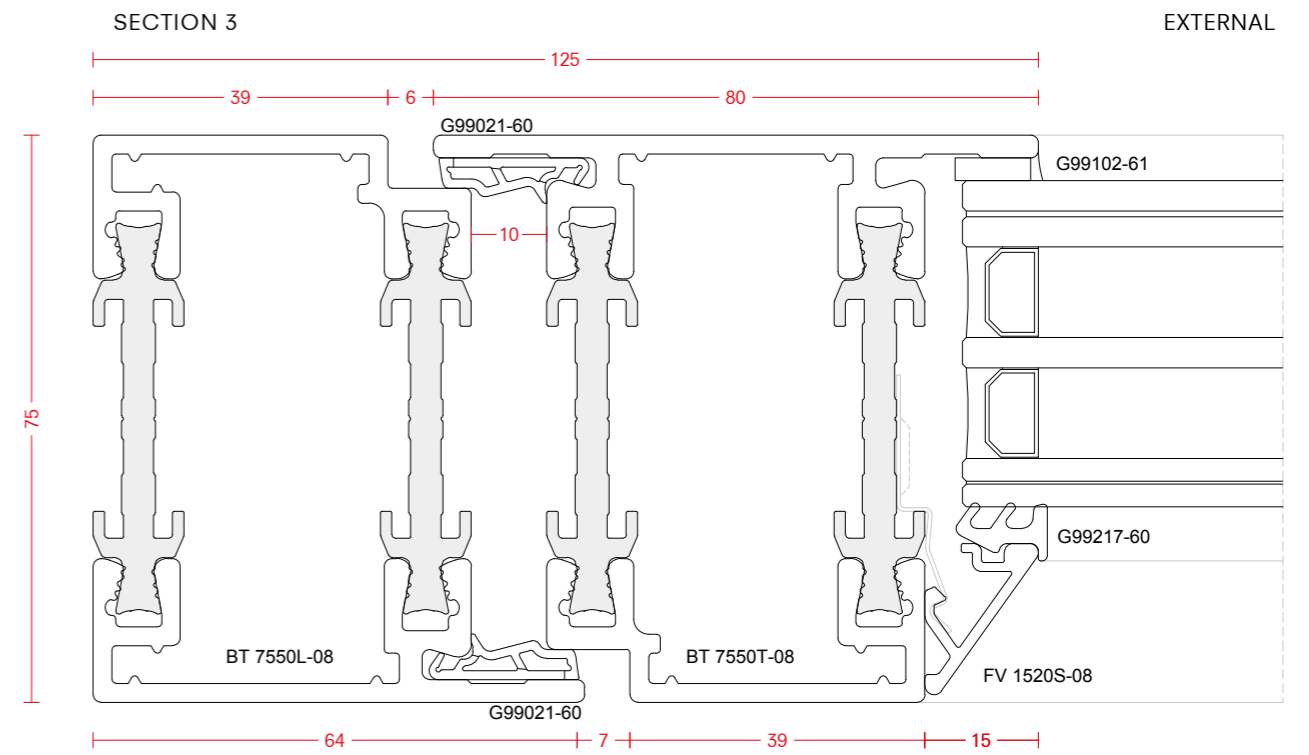
-09 Brass PB Polished brass



examples - open in



examples - open out



# LIFT & SLIDE

The Ottostumm | Mogs system for lift and slide openings is designed for doors of unexpected weights and dimensions. Available in galvanized steel, stainless steel AISI 316L and Cor-Ten steel - all with thermal break technology.

Lift&Slide MLS72 TB  
Galvanized steel – Stainless steel – Cor-Ten steel

### Lift&Slide MLS72 TB

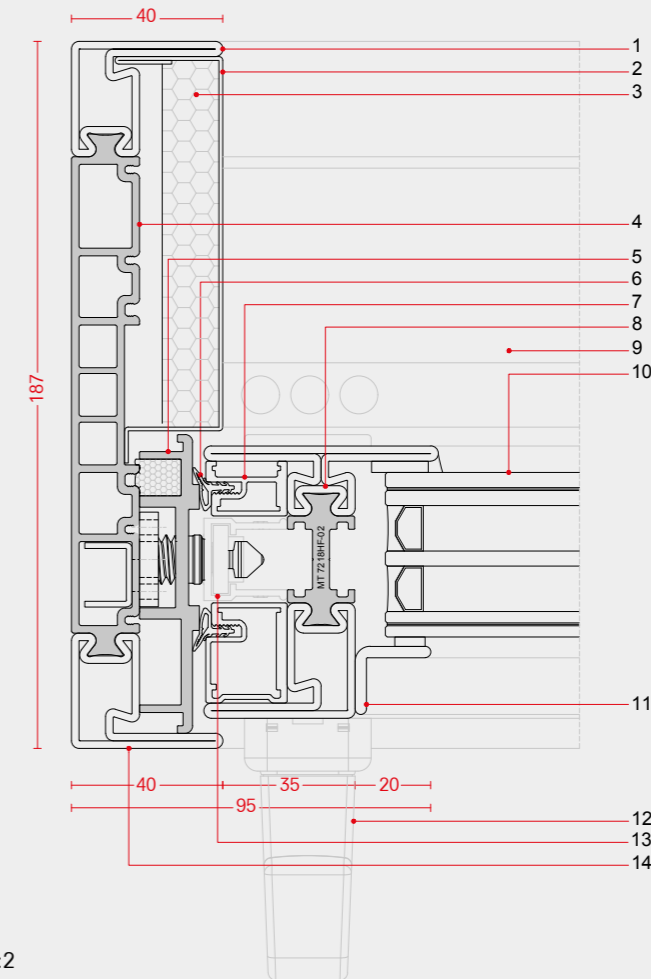
The Lift&Slide system MLS72 TB is a system for sliding openings of extraordinary weights and dimensions.

The system consists of solid steel tubular profiles, made of 2 mm thick sheet and shaped to form gasket grooves and a reinforced housing for the hardware. A slender frame (only 18 mm) with maximum resistance and the high thermal-acoustic performance of the thermal break technology in PA 6.6 polyamide. The profile depth of 72 mm allows the housing of large insulating glass panes, for door weighing up to 400 kg each leaf. MLS72 TB is available in galvanized steel which can be finished in any colour, Cor-Ten steel and stainless steel AISI 316L.



#### MAIN FEATURES

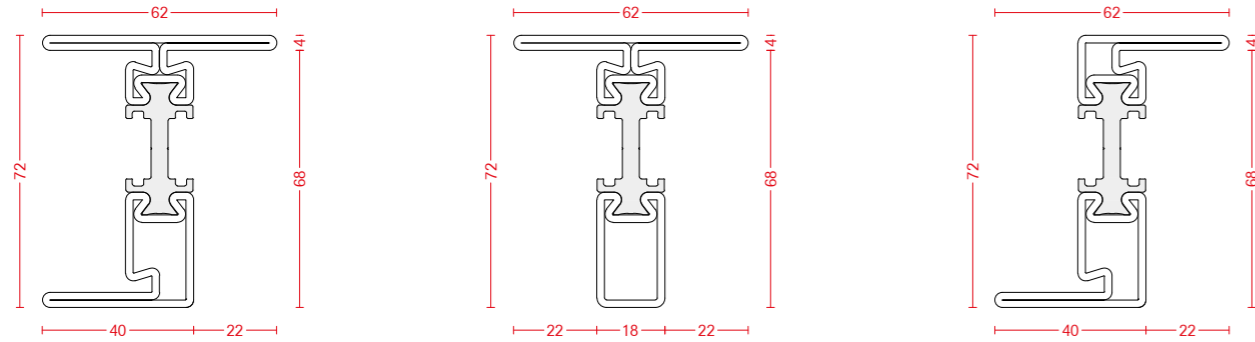
- |   |  |
|---|--|
| 1. continuously laser welded profile, thickness 2 mm                        | stainless steel AISI 316L 2B                                     |
| 2. aesthetic cover cap with insulating material                             | 9. thermally insulated stainless steel threshold                 |
| 3. insulator  | 10. compatible with insulating glazing, including security glass |
| 4. glassfibre reinforced PA 6.6 polyamide                                   | 11. tubular snap on or "L" shaped, angular glazing beads         |
| 5. insulated front strike   | 12. choice of handles with different design                      |
| 6. rebate gaskets   | 13. up to 400 kg   |
| 7. gasket groove  | 14. perimeter wall recessed frame                                |
| 8. thermal break profiles, available in galvanized steel, Cor-ten steel and |  |



drawing scale 1:2

profile range – bar length 5800 mm

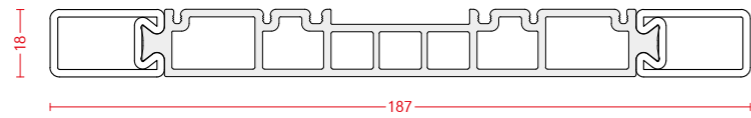
-02 Galvanized steel -05 Stainless steel AISI 316L 2B -07 Cor-Ten steel



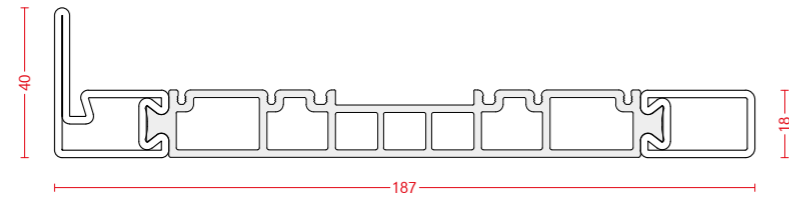
MT 7218HF-02  
MT 7218HF-05  
MT 7218HF-07

MT 7218TF-02  
MT 7218TF-05  
MT 7218TF-07

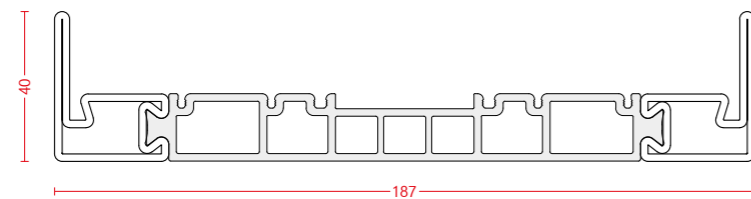
MT 7218ZF-02  
MT 7218ZF-05  
MT 7218ZF-07



MT 18718CI-05



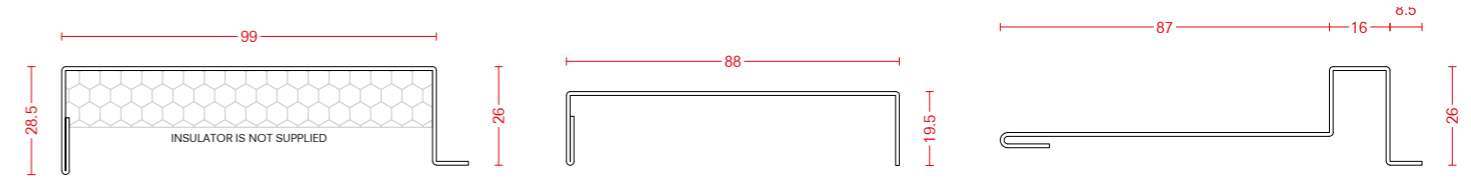
MT 18718CL-02  
MT 18718CL-05  
MT 18718CL-07



MT 18718CU-02  
MT 18718CU-05  
MT 18718CU-07

profile range

-00 Aluminum -02 Galvanized steel -05 Stainless steel AISI 316L 2B -06 Satin stainless steel AISI 316L -07 Cor-Ten steel  
-62 PVC -65 ABS



E99403-02  
E99403-06 L 3000 mm  
E99403-07

E99405-02  
E99405-06 L 3000 mm  
E99405-07

E99408-02  
E99408-06 L 3000 mm  
E99408-07

E99404-02 L 4000 mm  
E99404-06

E99406-02 L 4000 mm  
E99406-06

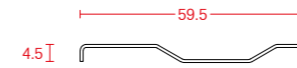
E99409-02 L 4000 mm  
E99409-06



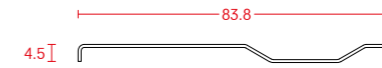
E99401-06  
L 4000 mm



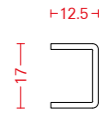
E99412-05  
L 3000 mm



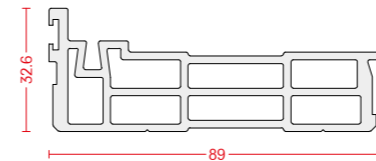
E99435-06  
L 3000 mm



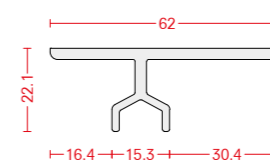
E99436-06  
L 3000 mm



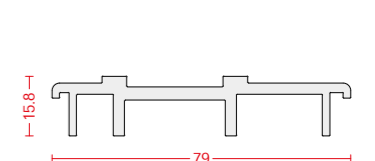
E99430-02  
L 3000 mm



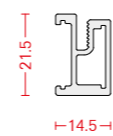
99 8933PL-62  
L 5800 mm



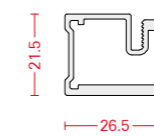
99 6222GU-65  
L 5800 mm



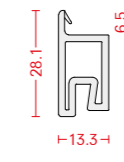
99 7916PL-62  
L 5800 mm



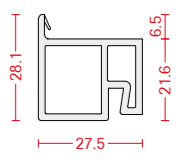
99 2215PG-00  
L 5800 mm



99 2227PG-00  
L 5800 mm



99 2813PG-62  
L 5800 mm

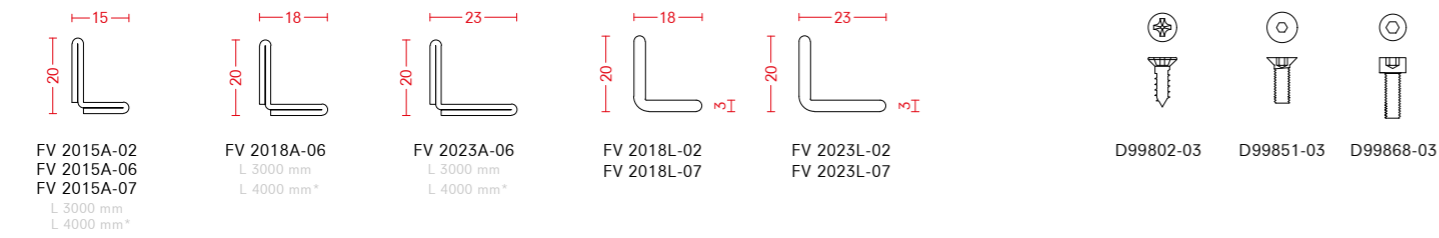


99 2828PG-62  
L 5800 mm

angular glazing beads – bar length 5800 mm

fixing screws

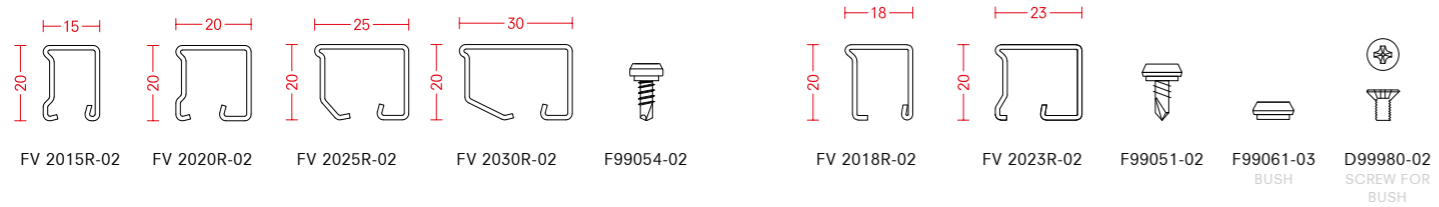
-02 Galvanized steel -03 Stainless steel AISI 304 2B -06 Satin stainless steel AISI 316L -07 Cor-Ten steel \*on request - minimum quantity required



snap-on glazing beads – bar length 6000 mm

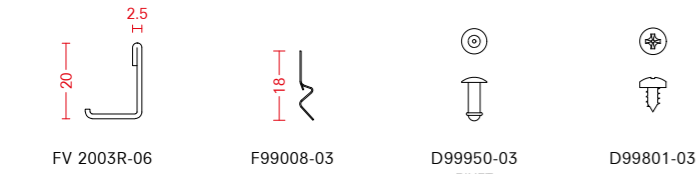
fixing screws

-02 Galvanized steel -03 Stainless steel AISI 304 2B



snap-on glazing beads – bar length 6000 mm

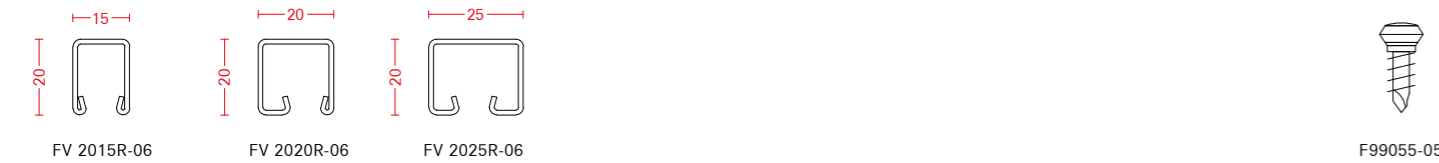
-03 Stainless steel AISI 304 2B -06 Satin stainless steel AISI 316L



snap-on glazing beads – bar length 6000 mm

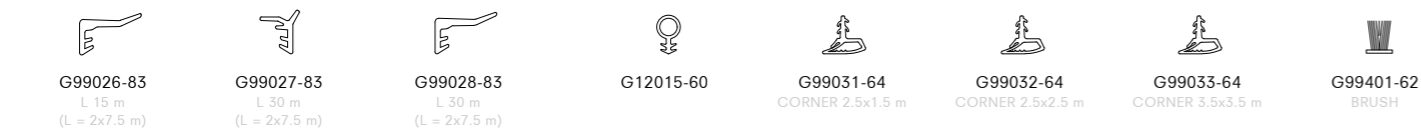
fixing screws

-05 Stainless steel AISI 316L 2B -06 Satin stainless steel AISI 316L



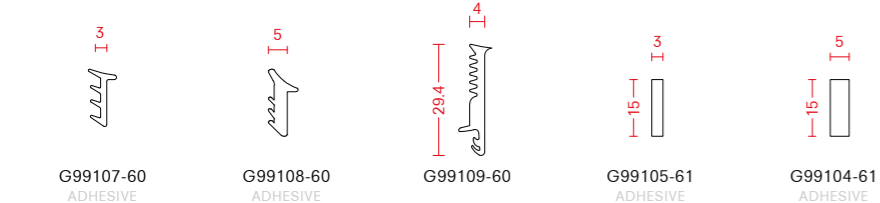
rebate gaskets

-60 Black EPDM -62 PVC -64 Silicone -83 TPE



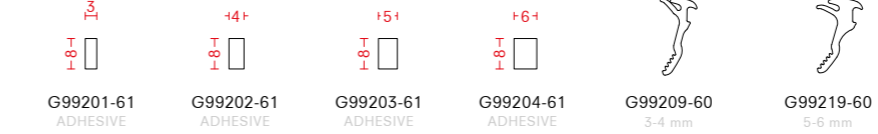
glass – external gaskets

-60 Black EPDM -61 Neoprene



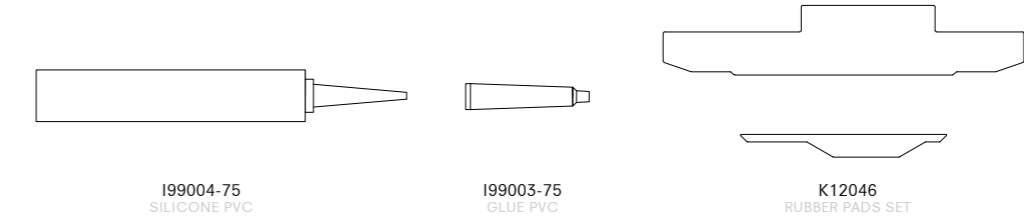
glass – internal gaskets

-60 Black EPDM -61 Neoprene



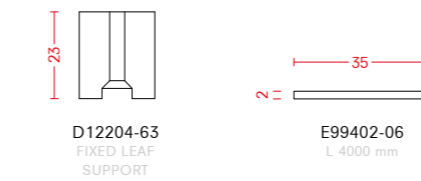
accessories

-75 Glue and silicone



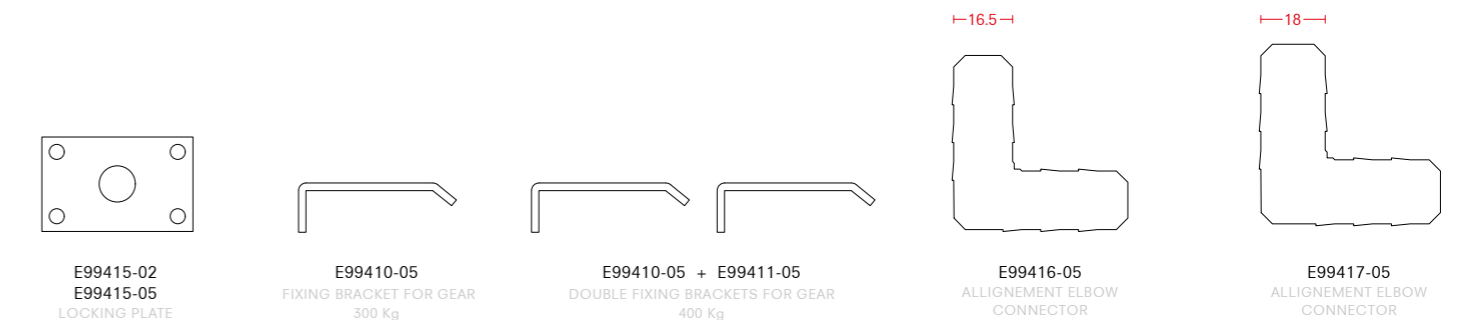
accessories for fix frame

-06 Satin stainless steel AISI 316L -63 Polyethylene



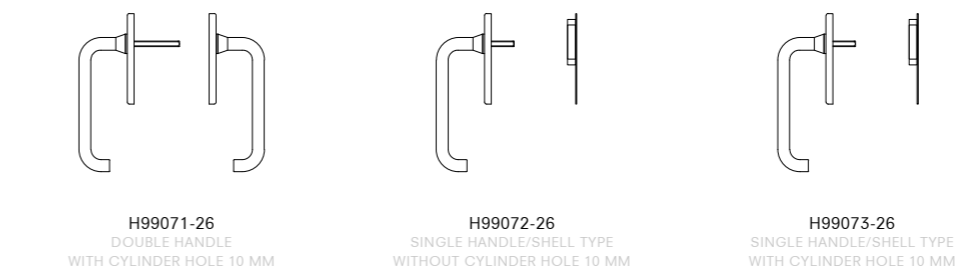
accessories for openable frame - see accessories chapter for details

-02 Galvanized steel -05 Stainless steel AISI 316L 2B -06 Satin stainless steel AISI 316L



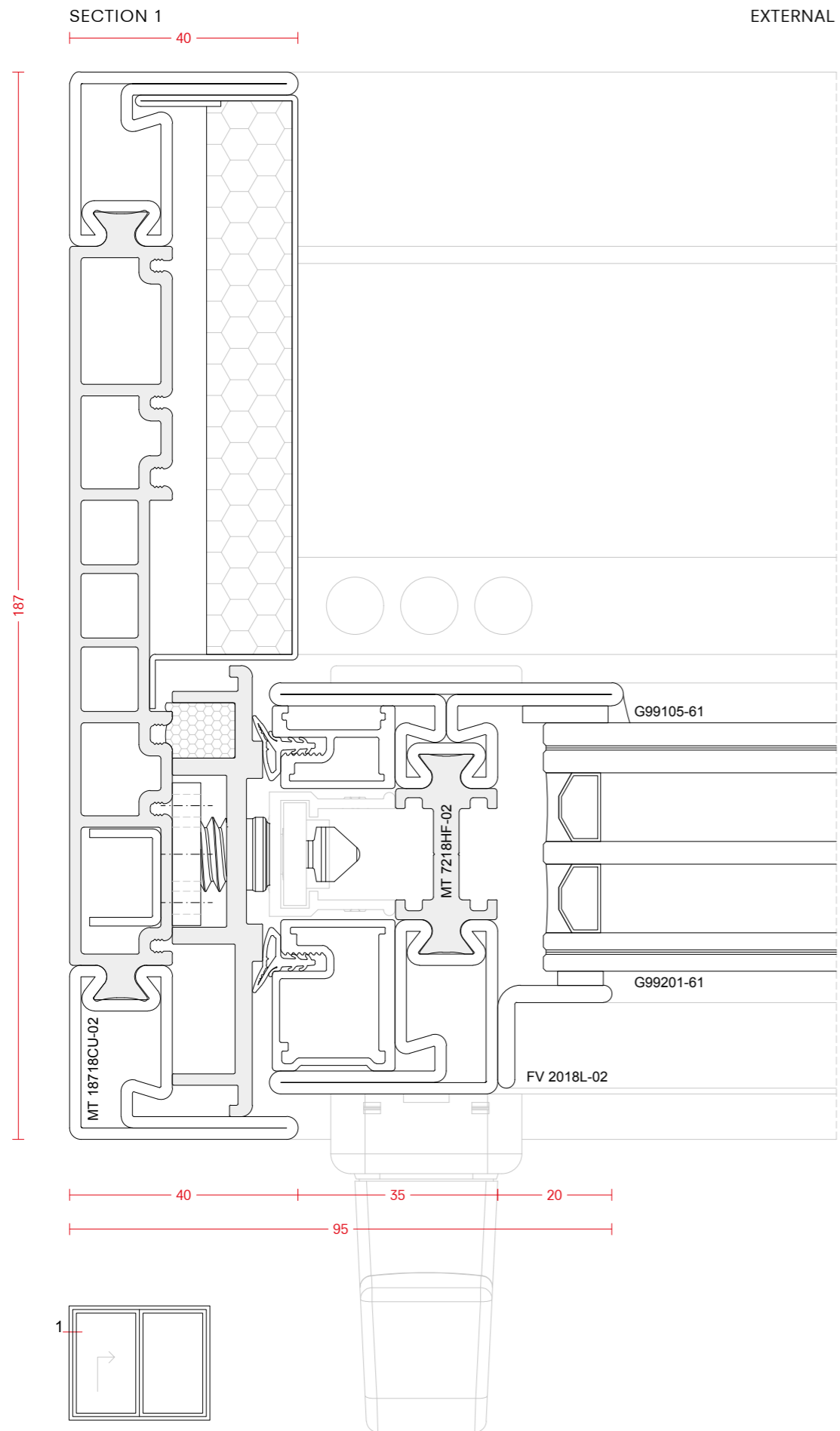
lift&slide handles – see Handles Catalogue for details

-26 Satin stainless steel

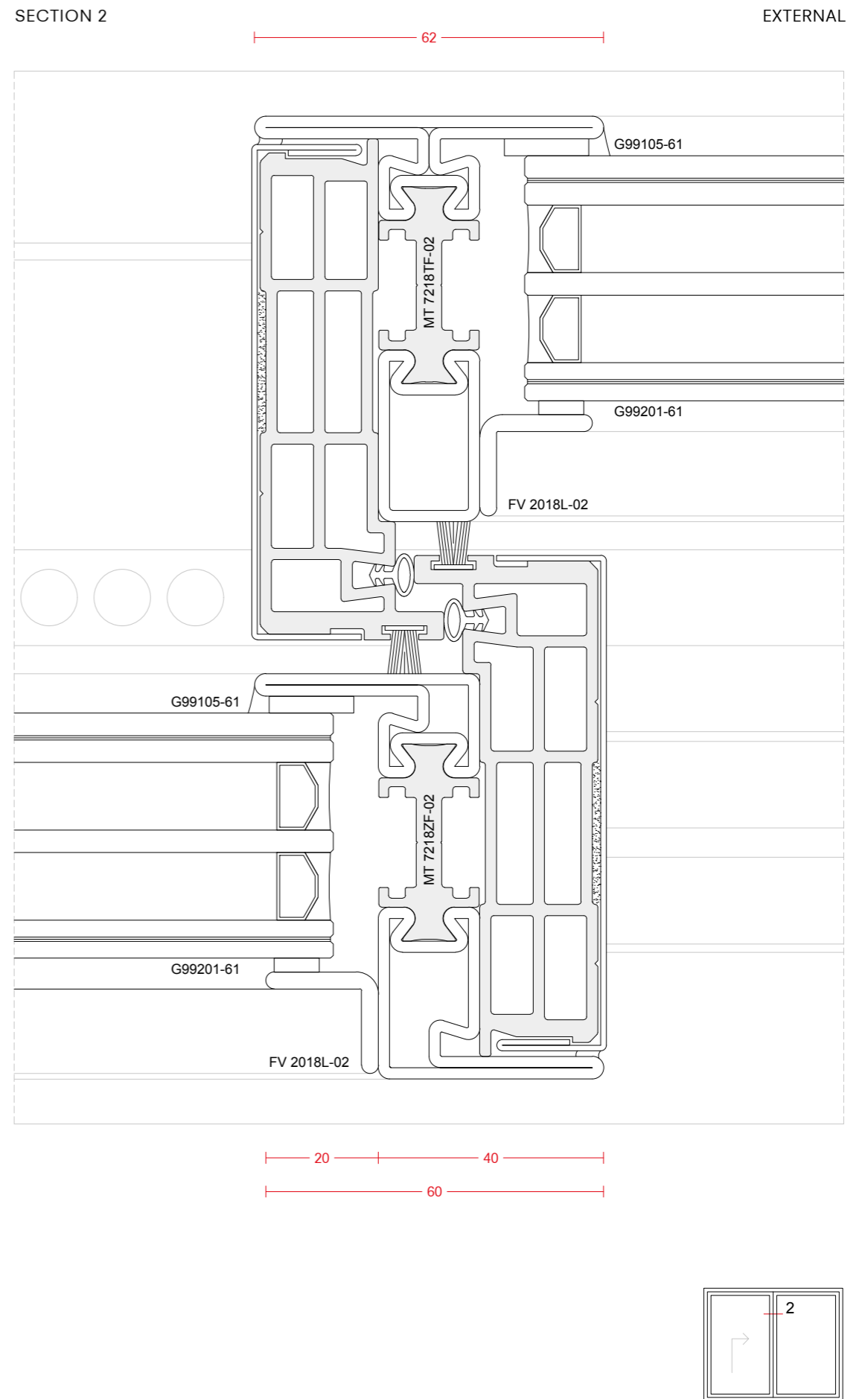




examples

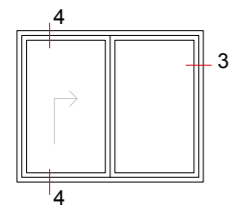
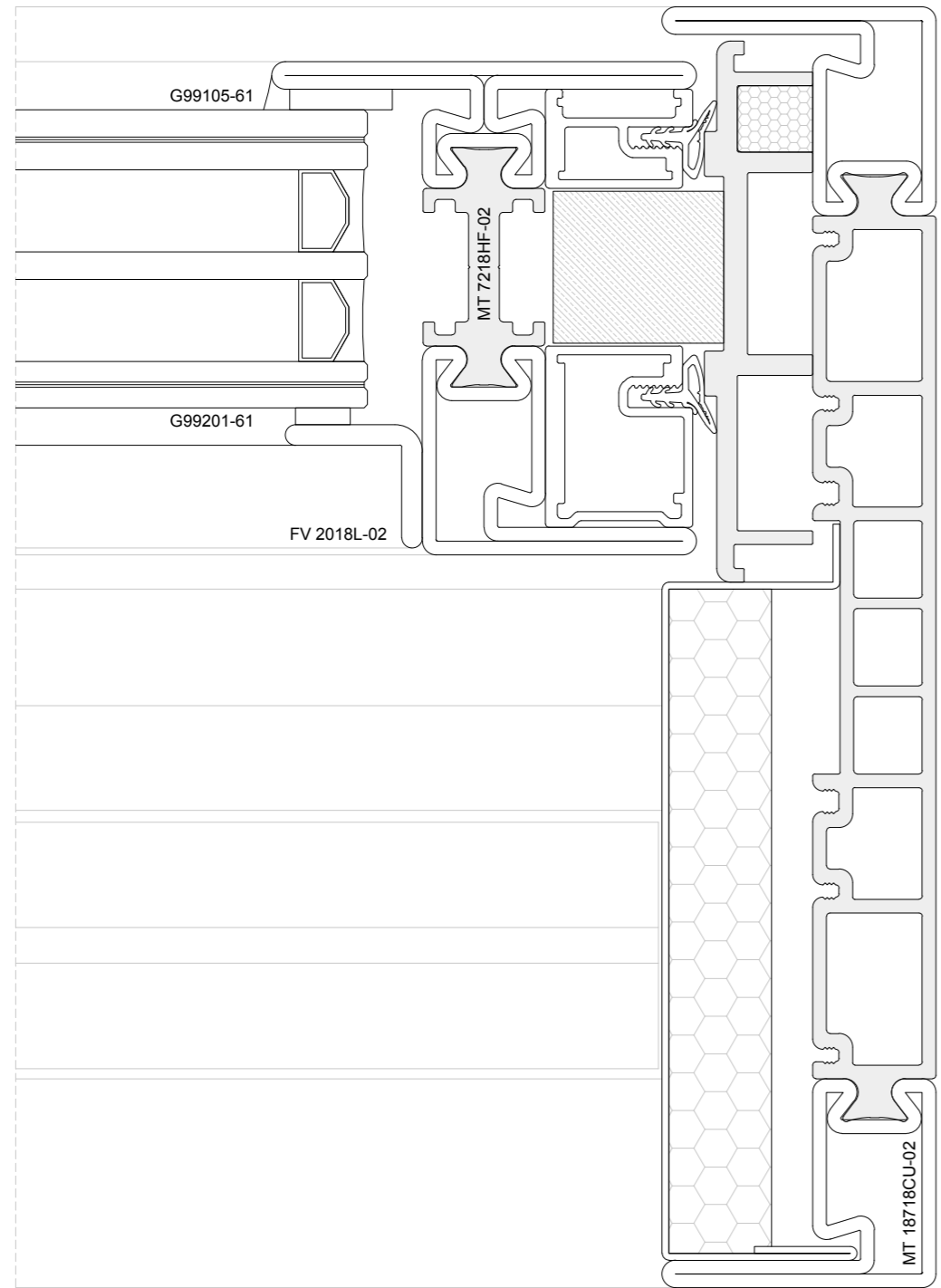


examples



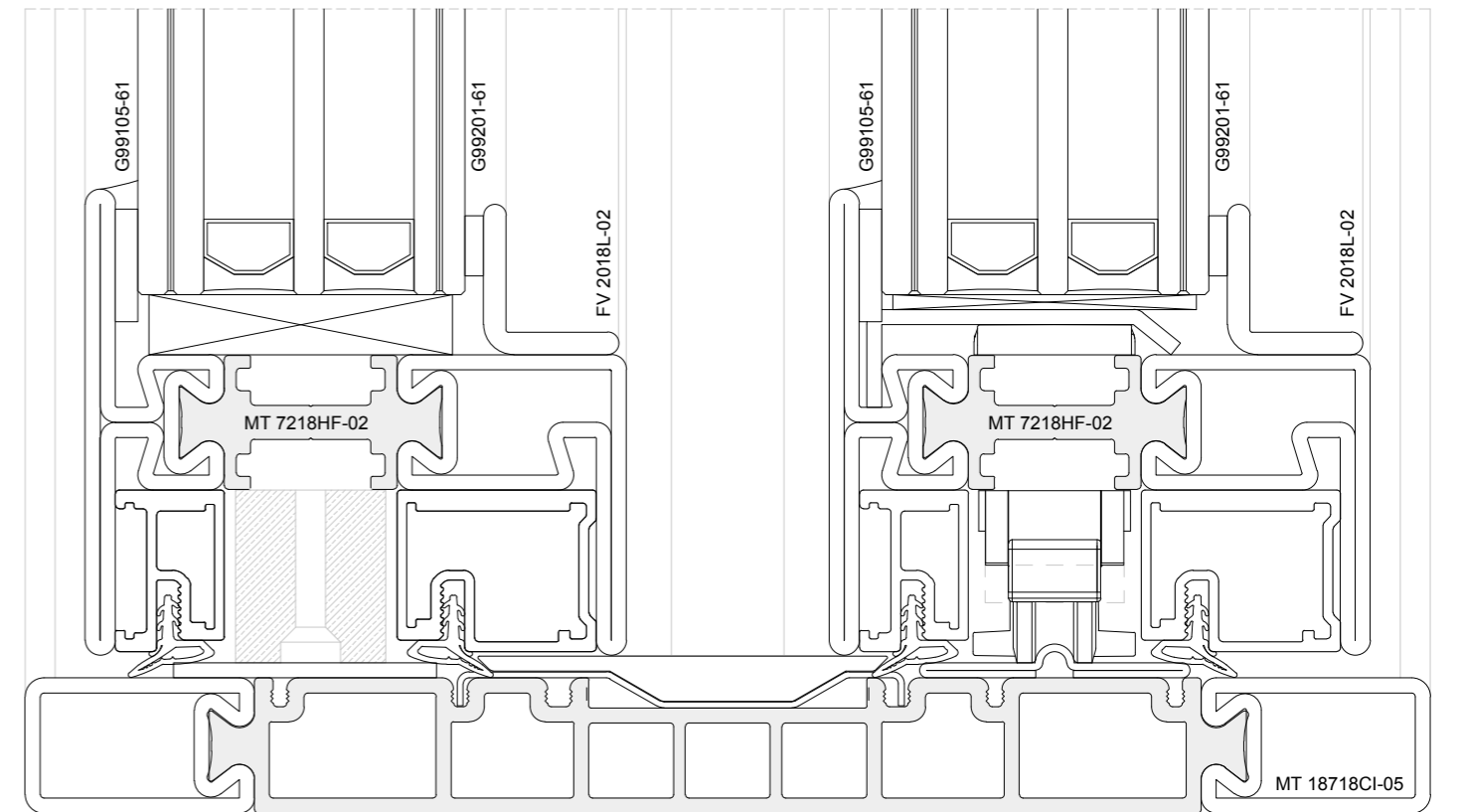
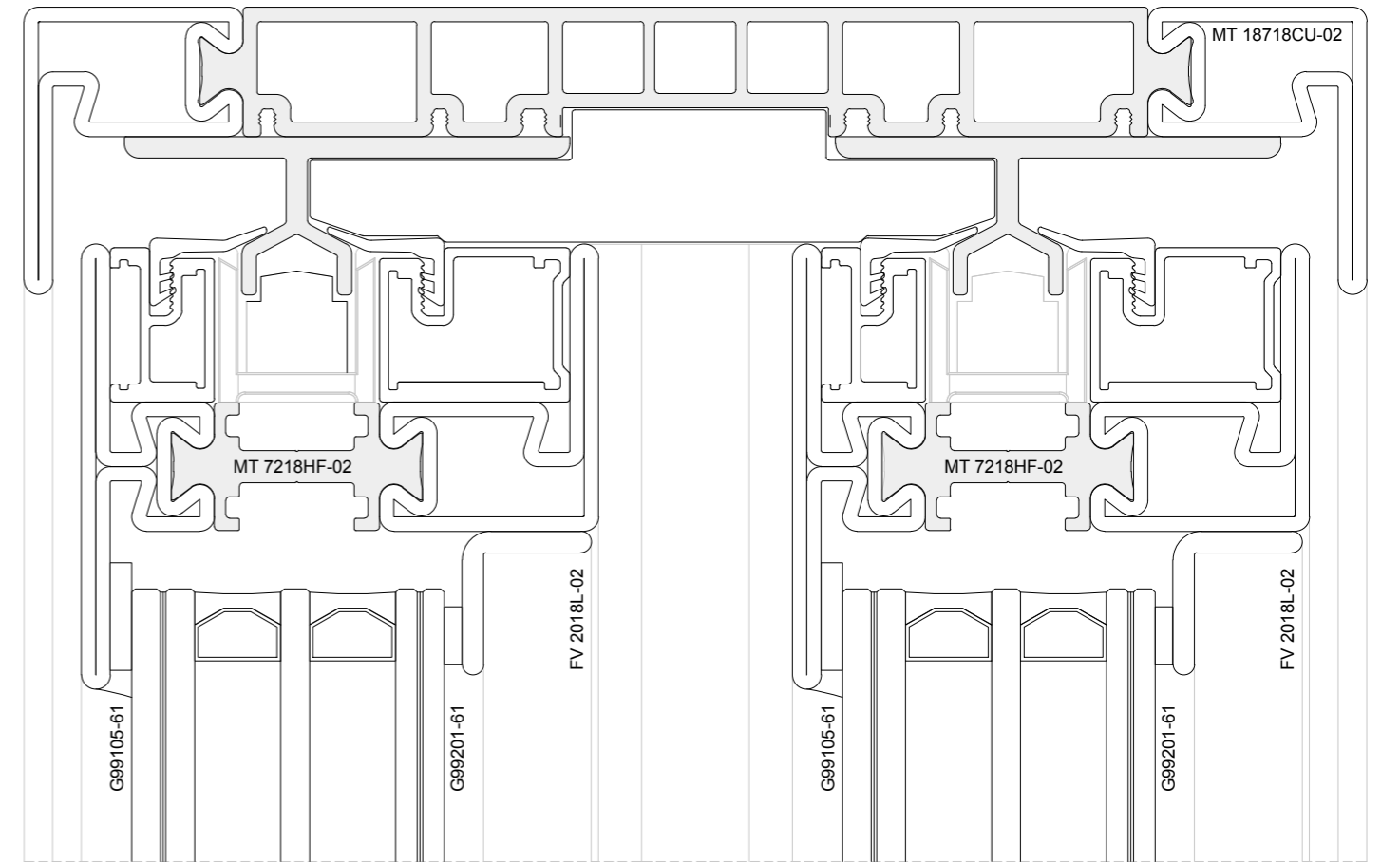
examples

SECTION 3 57 40 EXTERNAL



examples

SECTION 4 187 EXTERNAL



# CURTAIN WALLS

Ottostumm | Mogs curtain wall systems are a set of solutions for the production of large steel and glass façades. Certified at the prestigious IFT Rosenheim, they represent the highest technology of Ottostumm | Mogs for the construction of glazed facades, walls and roofs and are characterized by very high performance in tightness and insulation.

Curtain Walls OS-TEC 50-1 TB  
Curtain Walls OS-TEC 60-1 TB  
Curtain Walls OS-TEC 80-1 TB

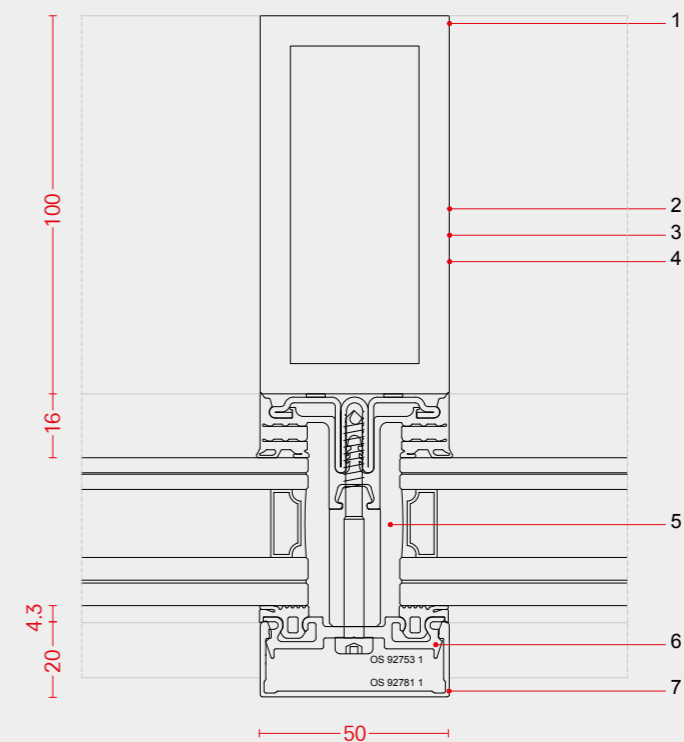
## Curtain Walls OS-TEC TB

The system, which includes fixing channels and custom-designed façade profiles, exploits the very high physical and mechanical qualities of steel. It allows much larger spans with slimmer structures, thanks to its high modulus of elasticity (three times that of aluminium) and low coefficient of thermal expansion (considerably lower than aluminium and wood, and very similar to glass indeed). With very slim section (up to 50 mm), it is possible to create transparent facades, glazed roofs and conservatories of large dimensions, with outstanding performance in terms of tightness and thermal-acoustic insulation. An advanced system for cutting-edge architecture.



### MAIN FEATURES

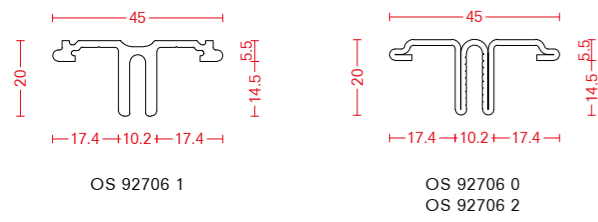
1. sharp crisp corners and clean shadow lines
2. profiles are available in bright steel and stainless steel
3. laser welded custom design profiles
4. extremely slender steel mullions and transoms
5. system adaptable to any thickness and composition of the glass pane
6. external add-on glazing system with sight lines of 50, 60 and 80 mm
7. design cover caps available in aluminum, stainless steel AISI 316L, Cor-Ten steel and architectural bronze, in different sizes



drawing scale 1:2

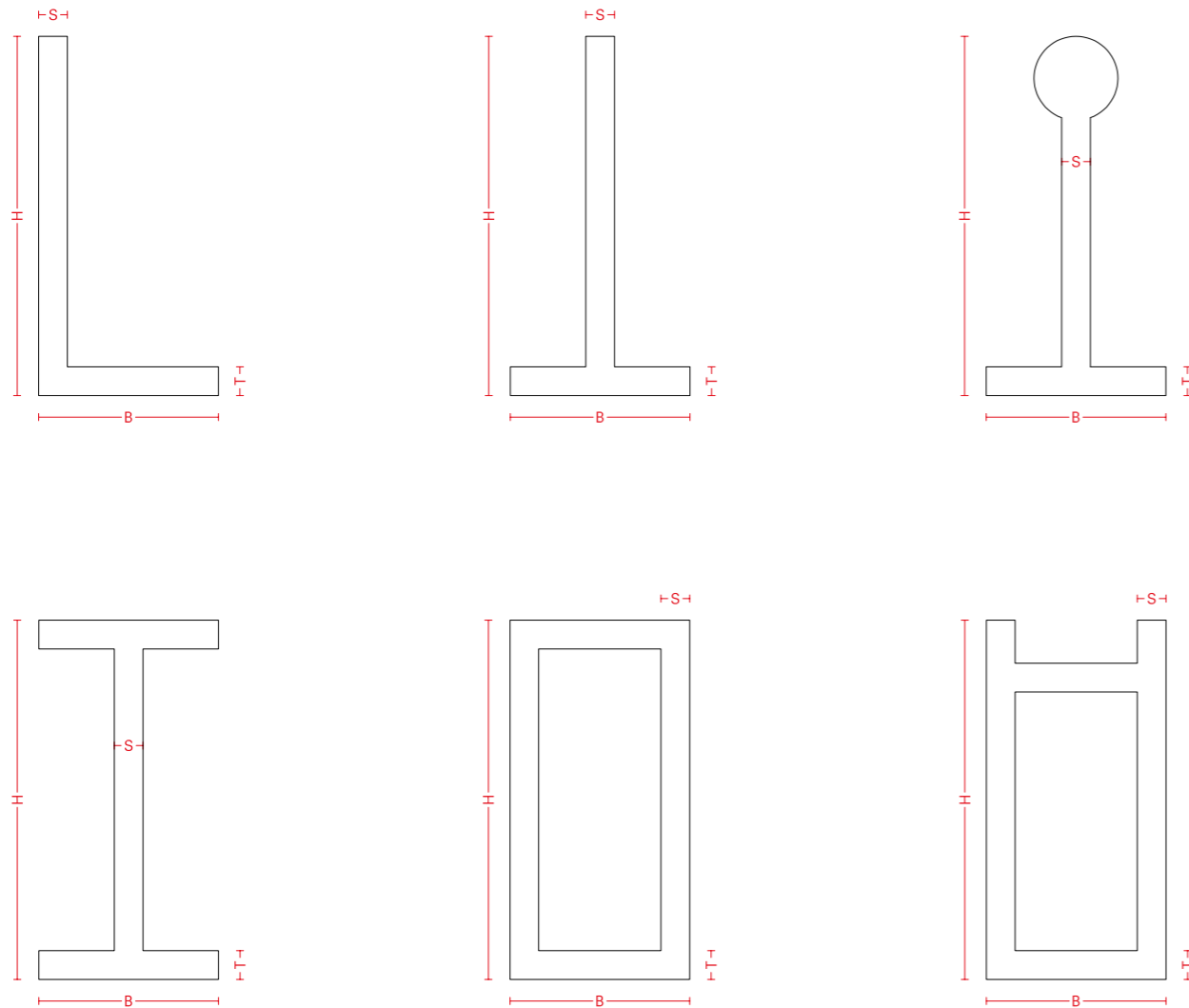
fixing channels - bar length 6000 mm

0 Bright steel 1 Aluminum 2 Galvanized steel



examples of laser welded custom profiles

-14 Laser welded and sand blasted steel -33 Laser welded and sand blasted stainless steel AISI 304L  
-34 Laser welded and sand blasted stainless steel AISI 316L

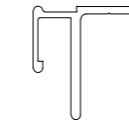


SIZE RANGE

B min	B max	H min	H max	S min	S max	T min	T max	L max
50	400	40	1000	4	30	4	50	15000

complimentary profiles – bar length 6000 mm

1 Aluminum

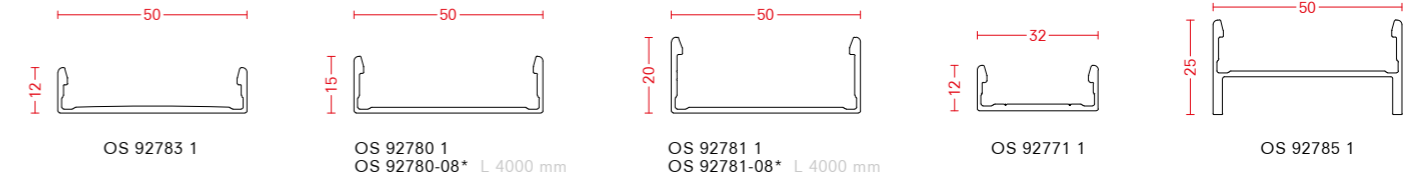


OS 92704 1  
VAPOUR BARRIER  
FIXING PROFILE

snap-on cover caps – bar length 6000 mm

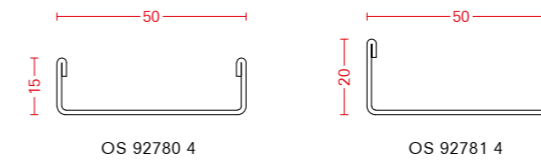
1 Aluminum -08 Architectural bronze

\*on request restrictions apply to quantities required



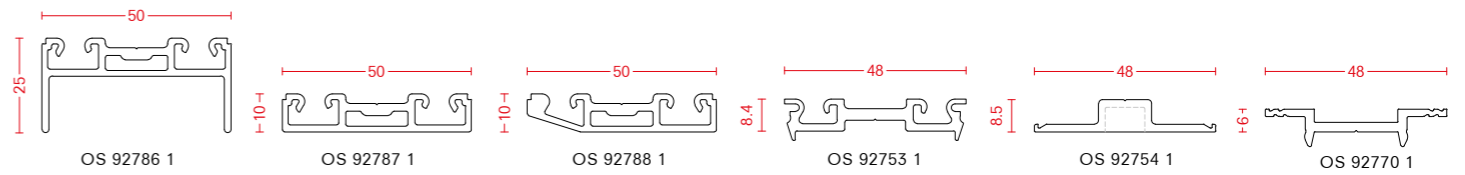
snap-on cover caps – bar length 6000 mm

4 Satin stainless steel AISI 316L

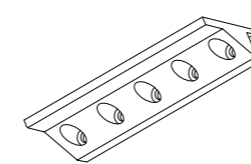


pressure plates - bar length 6000 mm

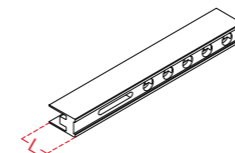
1 Aluminum



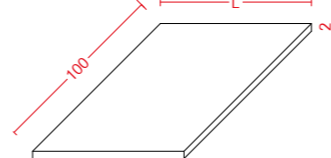
glass supports



OS 957530



OS 957290



OS 785016

COD	width	COD	width
OS 957530	20 mm	OS 957240	40 mm
OS 957531	22 mm	OS 957241	42 mm
OS 957532	24 mm	OS 957242	44 mm
OS 957533	26 mm	OS 957243	46 mm
OS 957534	28 mm	OS 957244	48 mm
OS 957535	30 mm	OS 957245	50 mm
OS 957536	32 mm	OS 957246	52 mm
OS 957537	34 mm	OS 957247	54 mm
OS 957538	36 mm	OS 957248	56 mm
OS 957539	38 mm	OS 957249	58 mm
		OS 957250	60 mm

COD	width
OS 957290	21,5 mm
OS 957291	25,5 mm
OS 957292	29,5 mm
OS 957293	33,5 mm
OS 957294	37,5 mm
OS 957295	41,5 mm
OS 957296	45,5 mm
OS 957297	49,5 mm

COD	width	COD	width
OS 785016	26 mm	OS 785032	28 mm
OS 785040	30 mm	OS 785059	32 mm
OS 785067	34 mm	OS 785075	36 mm
OS 785083	38 mm	OS 785091	40 mm
OS 785105	42 mm	OS 785113	44 mm
OS 785172	46 mm	OS 785792	48 mm
OS 785806	50 mm	OS 785814	52 mm
OS 785822	54 mm		



OS 958822  
L 22 mm

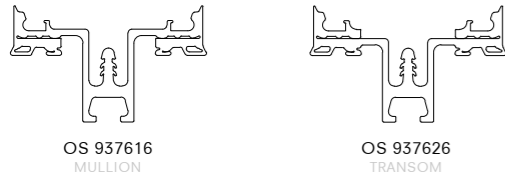


OS 958824  
L 24 mm

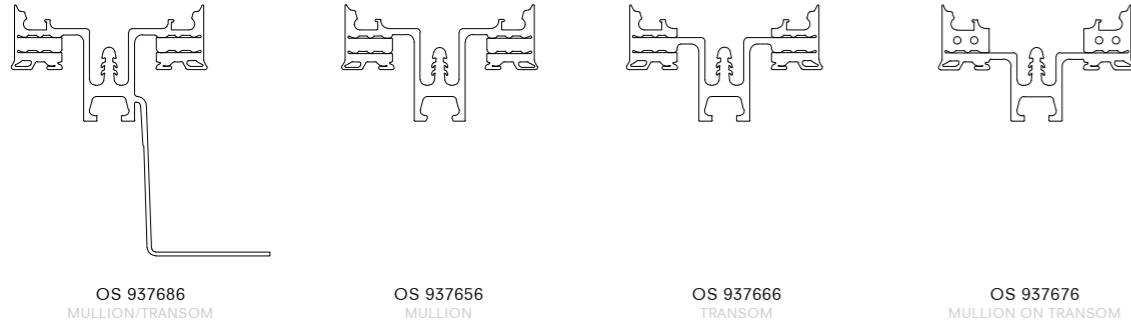


OS 957303

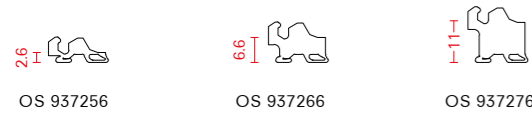
gasket for mullions and transoms - two levels



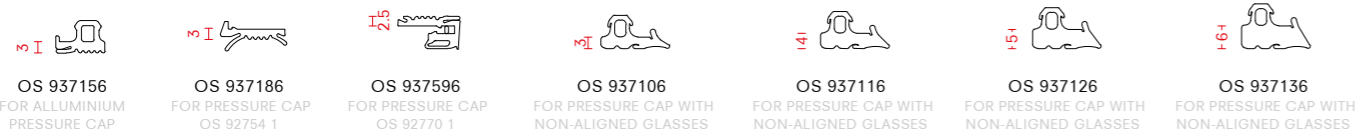
gasket for mullions and transoms - three levels



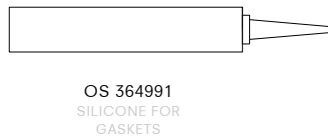
compensation of infill thickness inside



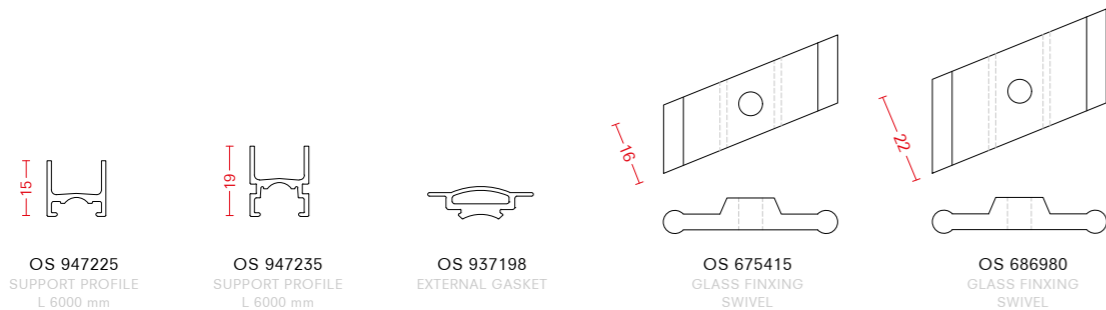
pressure caps gaskets



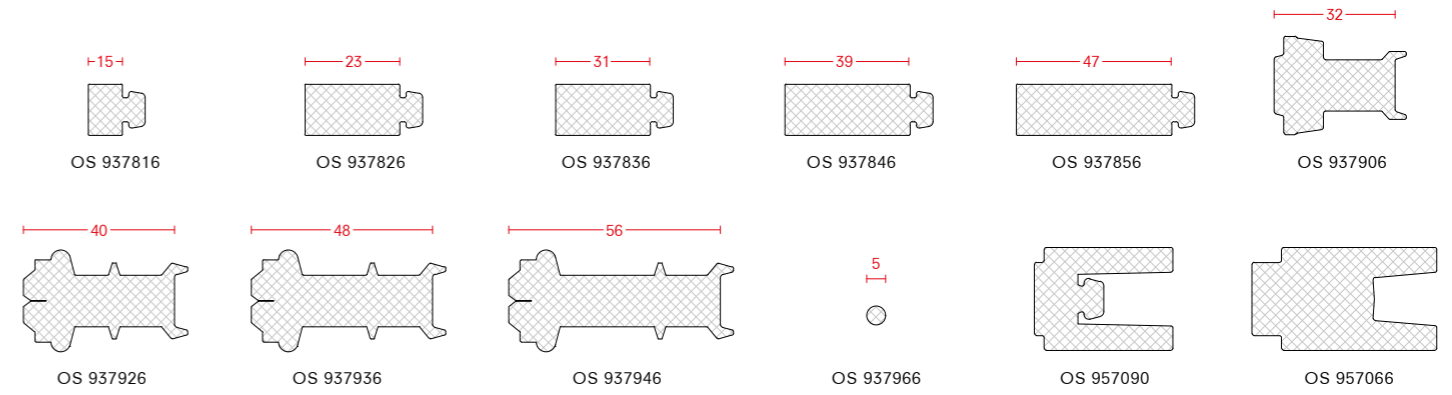
silicone



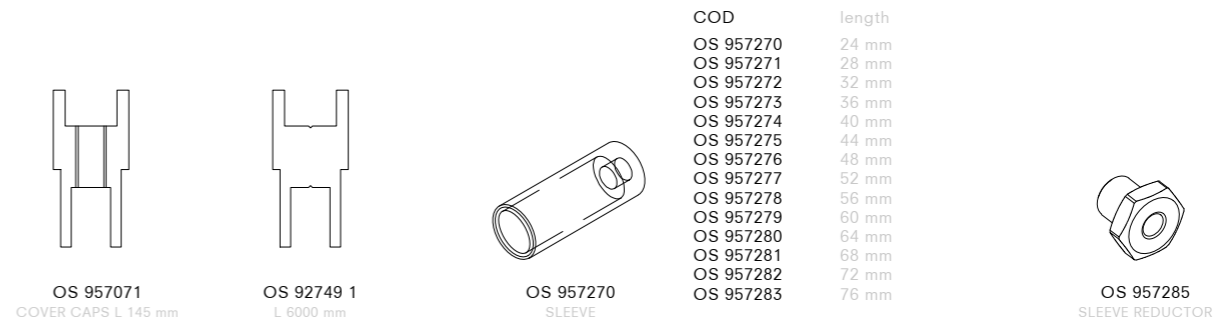
accessories for structurals glazing



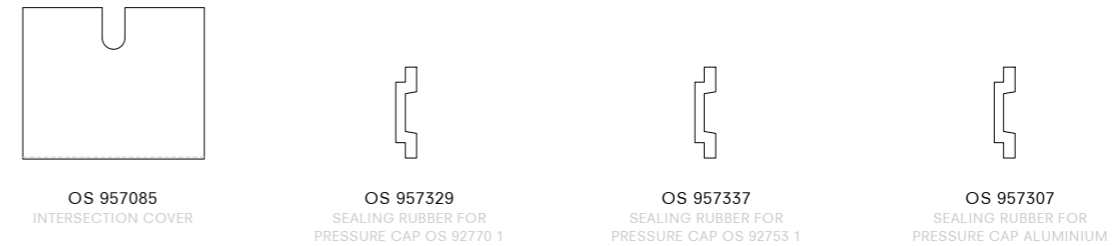
isolating foam gaskets



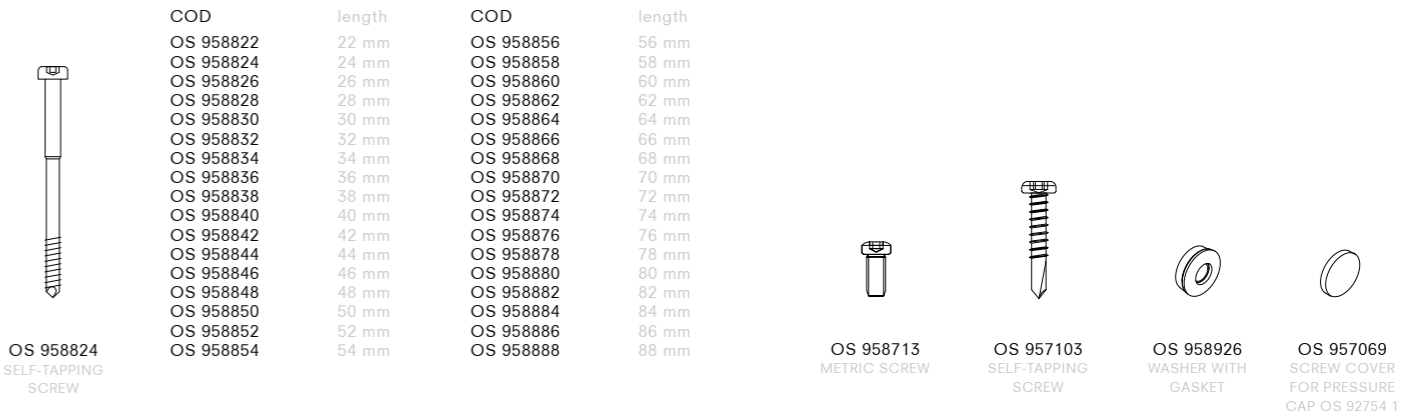
support for shading systems



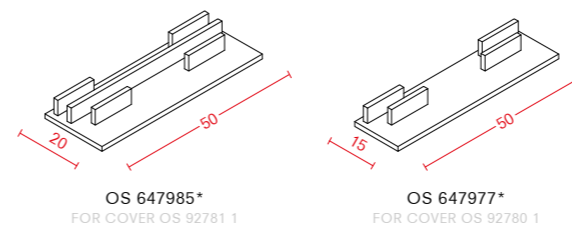
intersection cover and sealing pieces



stainless steel screws



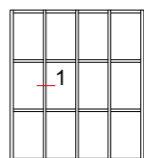
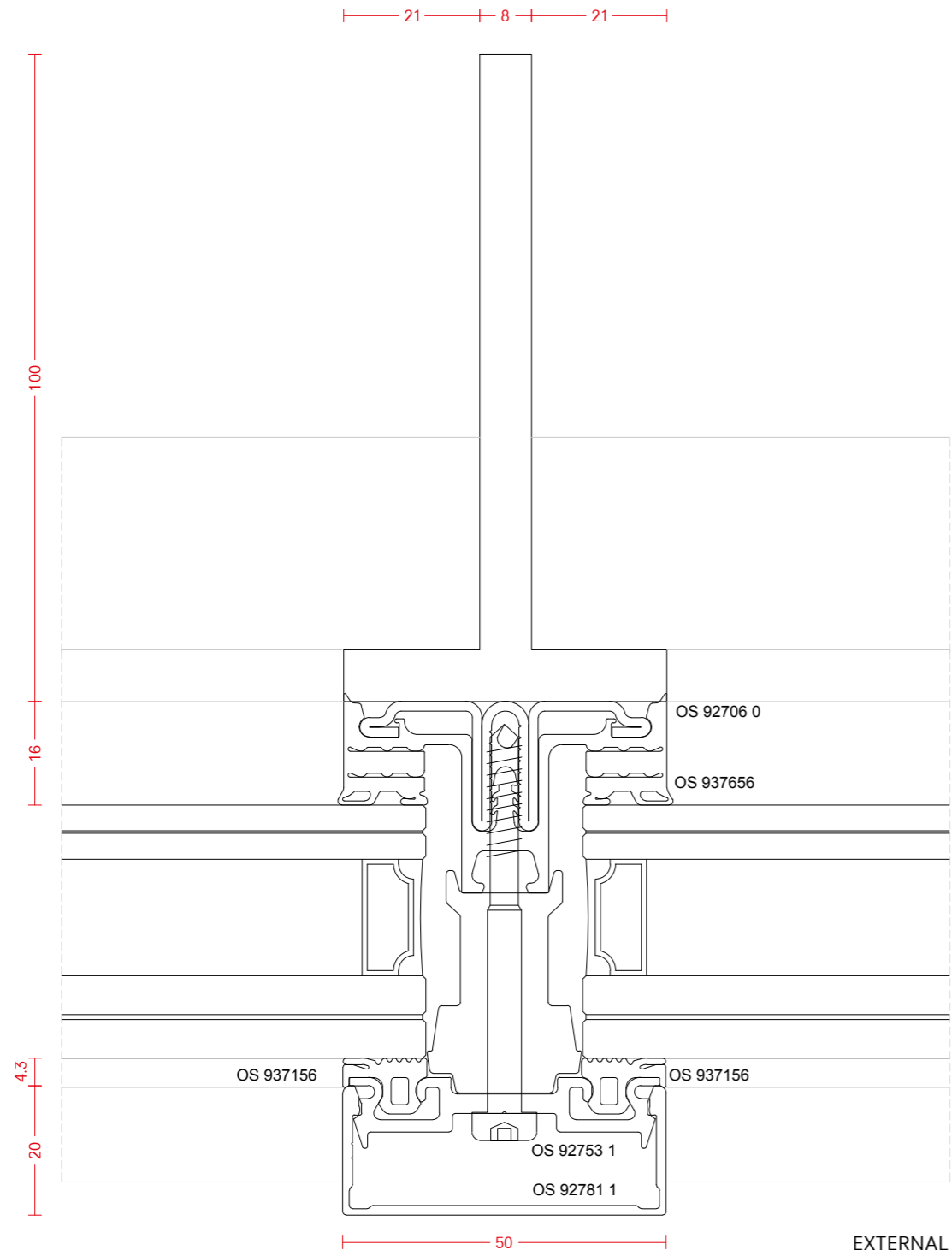
cover caps



\*on request - minimum quantity required

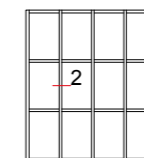
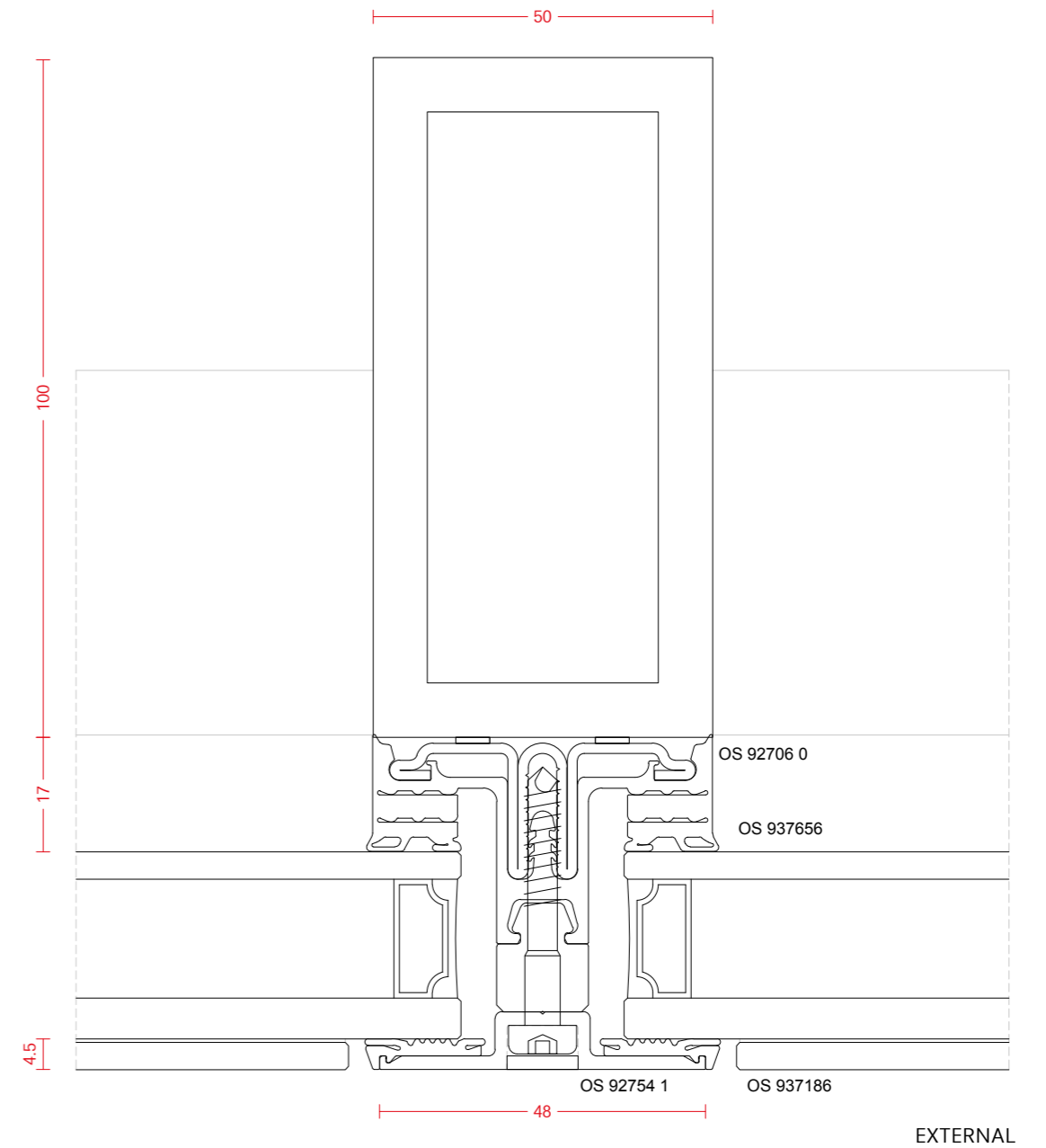
examples

SECTION 1



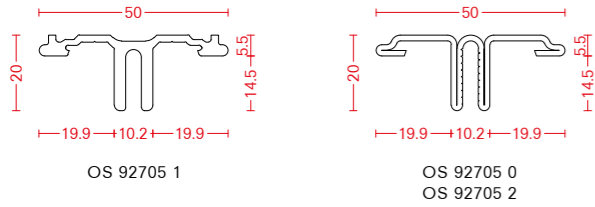
examples

SECTION 2



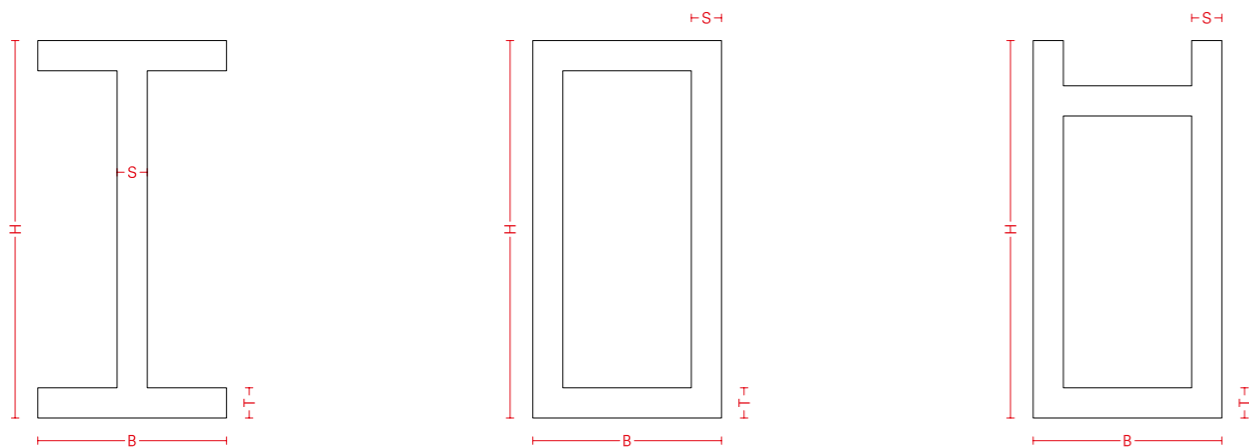
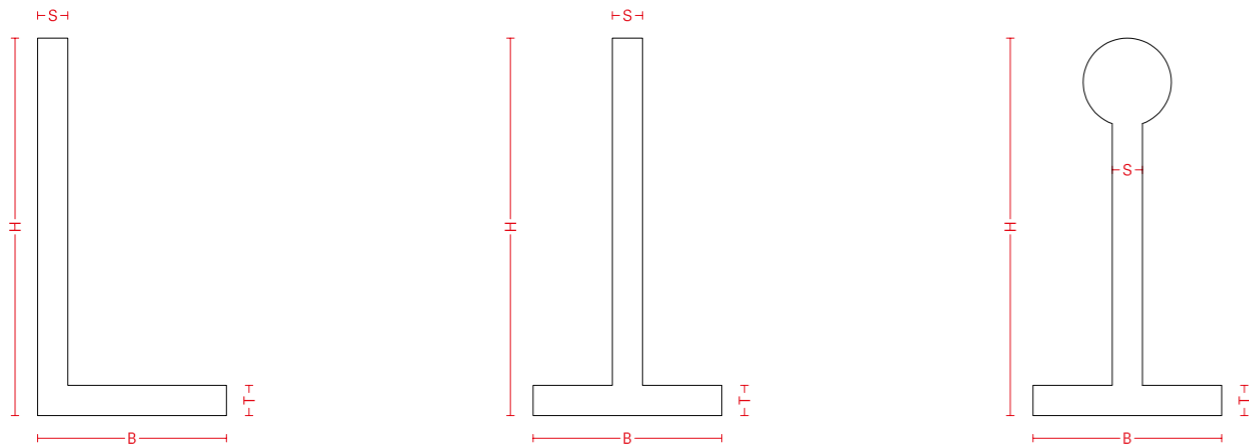
fixing channels - bar length 6000 mm

0 Bright steel 1 Aluminum 2 Galvanized steel



examples of laser welded custom profiles

-14 Laser welded and sand blasted steel -33 Laser welded and sand blasted stainless steel AISI 304L  
-34 Laser welded and sand blasted stainless steel AISI 316L



SIZE RANGE

B min	B max	H min	H max	S min	S max	T min	T max	L max
50	400	40	1000	4	30	4	50	15000

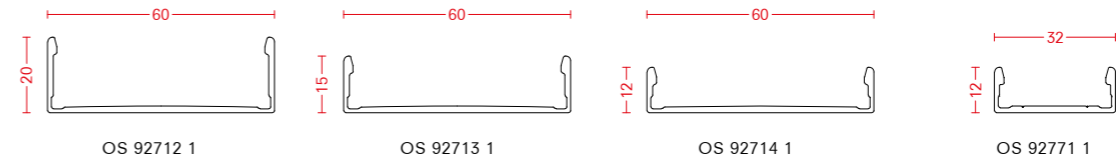
complimentary profiles – bar length 6000 mm

1 Aluminum



snap-on cover caps – bar length 6000 mm

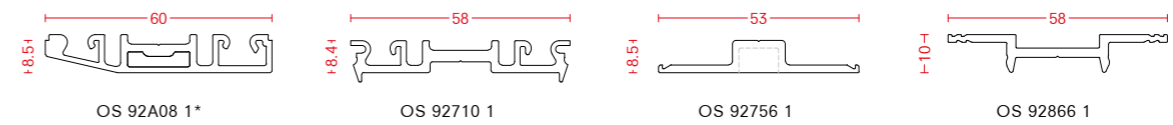
1 Aluminum



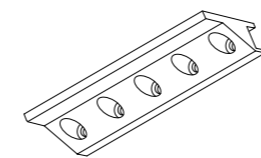
pressure plates - bar length 6000 mm

1 Aluminum

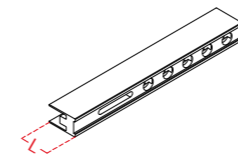
\*on request - minimum quantity required



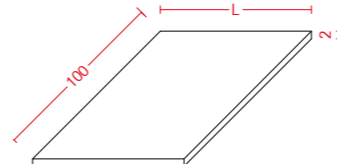
glass supports



OS 957530



OS 957290



OS 785016

COD	width	COD	width
OS 957530	20 mm	OS 957240	40 mm
OS 957531	22 mm	OS 957241	42 mm
OS 957532	24 mm	OS 957242	44 mm
OS 957533	26 mm	OS 957243	46 mm
OS 957534	28 mm	OS 957244	48 mm
OS 957535	30 mm	OS 957245	50 mm
OS 957536	32 mm	OS 957246	52 mm
OS 957537	34 mm	OS 957247	54 mm
OS 957538	36 mm	OS 957248	56 mm
OS 957539	38 mm	OS 957249	58 mm
		OS 957250	60 mm

COD	width
OS 957290	21,5 mm
OS 957291	25,5 mm
OS 957292	29,5 mm
OS 957293	33,5 mm
OS 957294	37,5 mm
OS 957295	41,5 mm
OS 957296	45,5 mm
OS 957297	49,5 mm

COD	width	COD	width
OS 785016	26 mm	OS 785032	28 mm
OS 785040	30 mm	OS 785059	32 mm
OS 785067	34 mm	OS 785075	36 mm
OS 785083	38 mm	OS 785091	40 mm
OS 785105	42 mm	OS 785113	44 mm
OS 785172	46 mm	OS 785792	48 mm
OS 785806	50 mm	OS 785814	52 mm
OS 785822	54 mm		



OS 958822  
L 22 mm



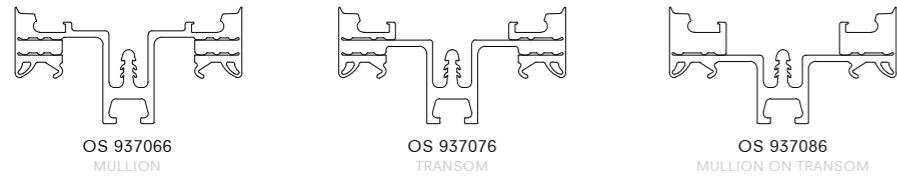
OS 958824  
L 24 mm



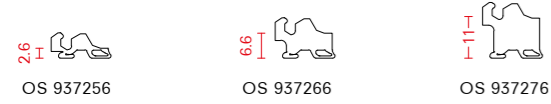
OS 957303



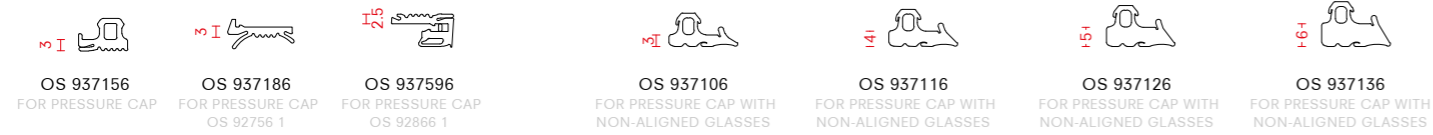
gaskets for mullions and transoms - three levels



compensation of infill thickness inside



pressure caps gaskets

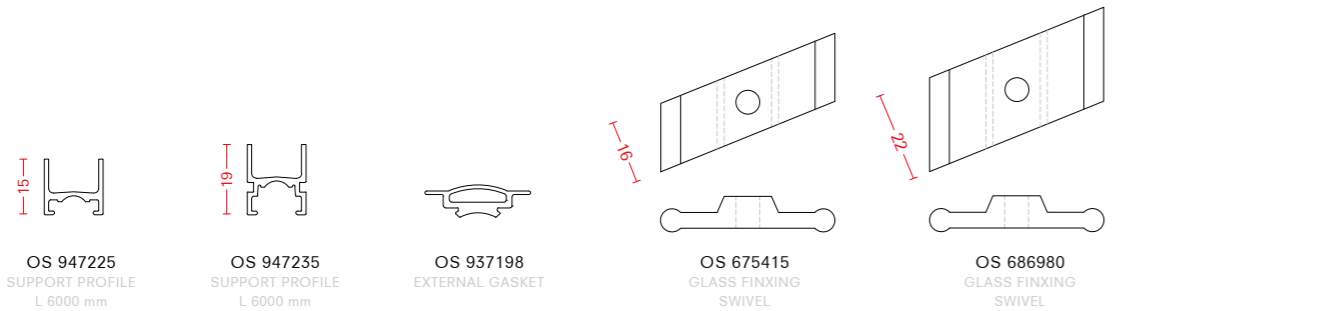


silicone

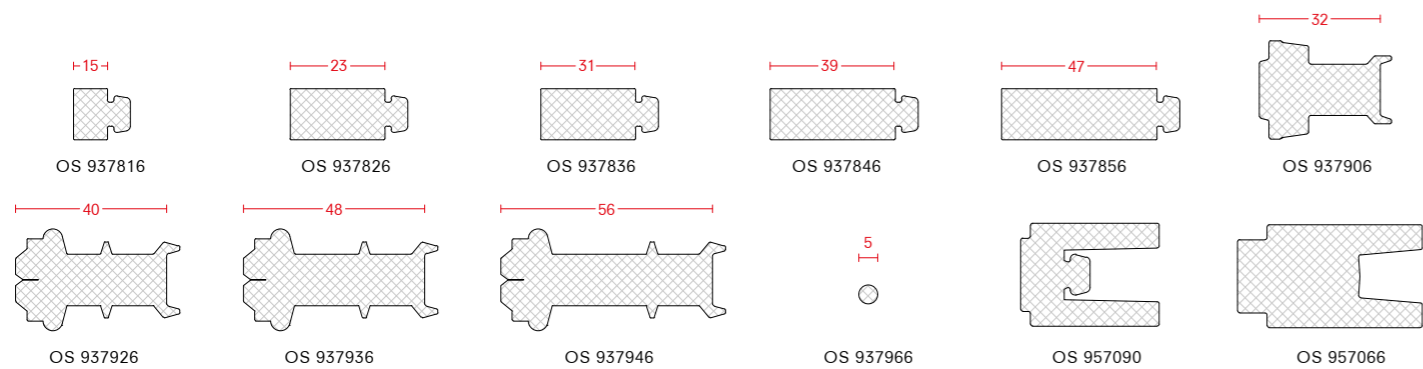


OS 364991  
SILICONE FOR GASKETS

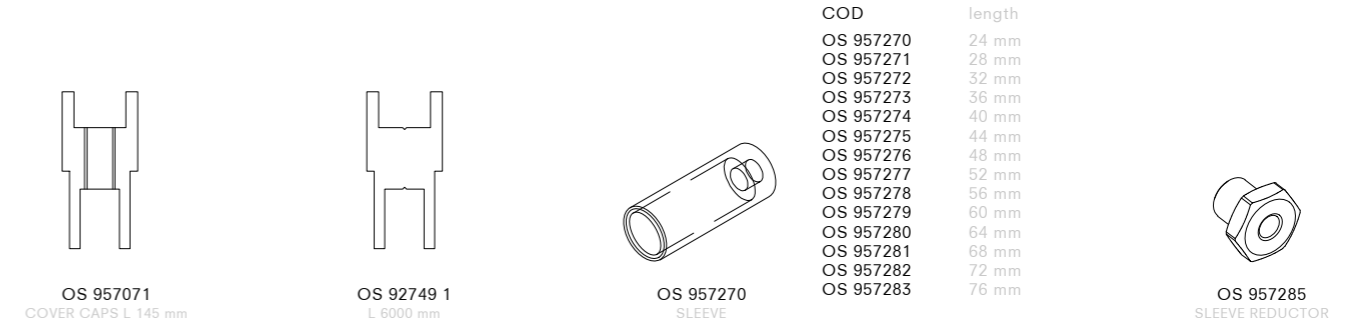
accessories for structurals glazing



isolating foam gaskets



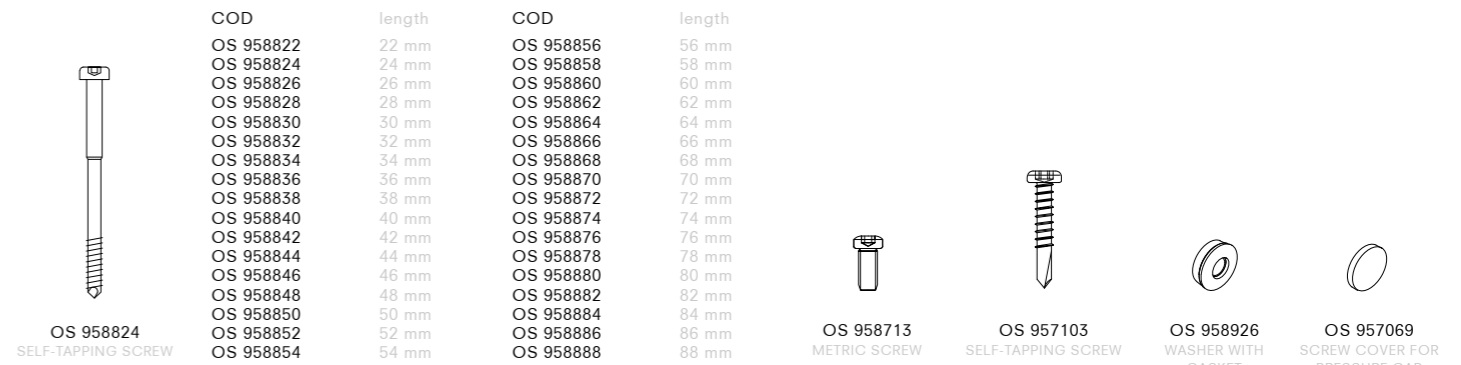
support for shading systems



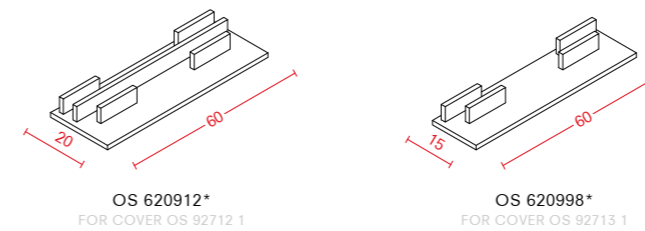
intersection cover and sealing pieces



stainless steel screws



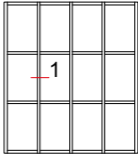
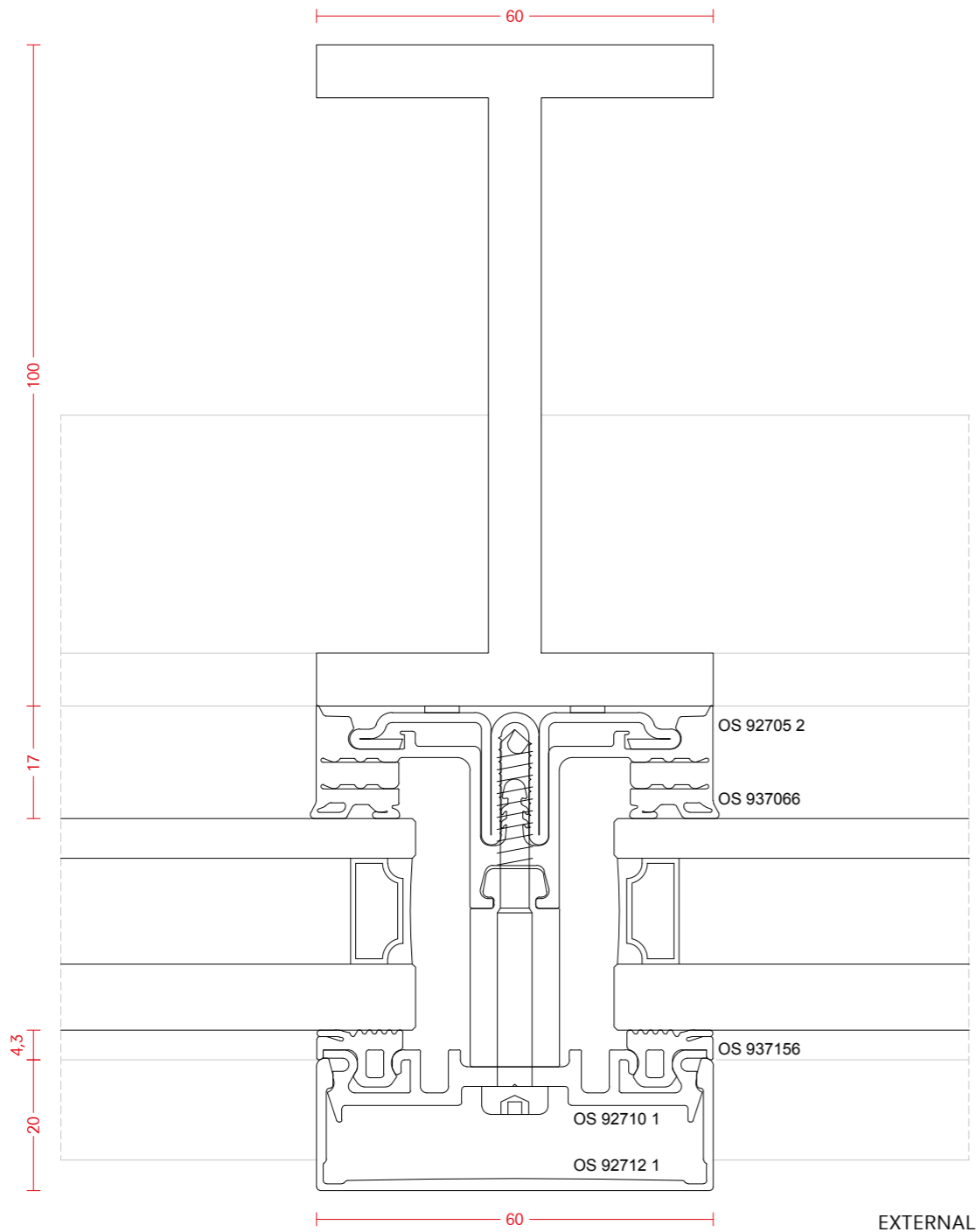
cover caps



\*on request - minimum quantity required

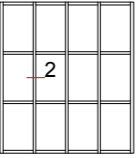
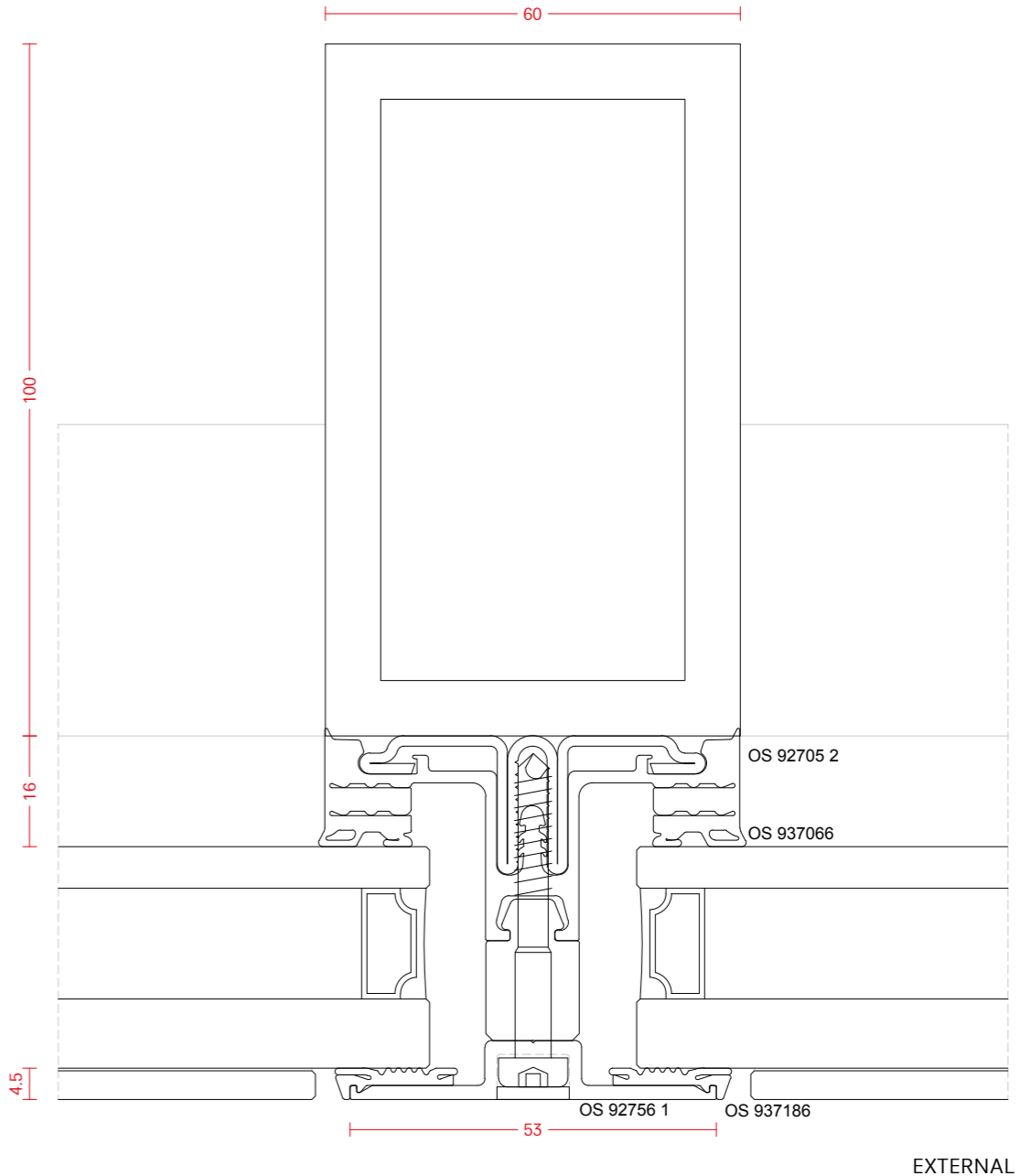
examples

SECTION 1



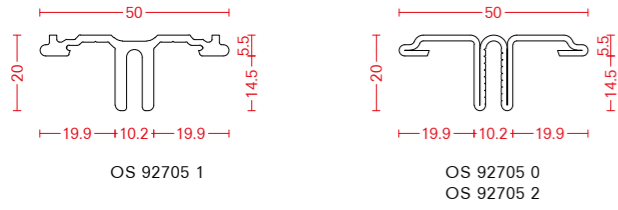
examples

SECTION 2



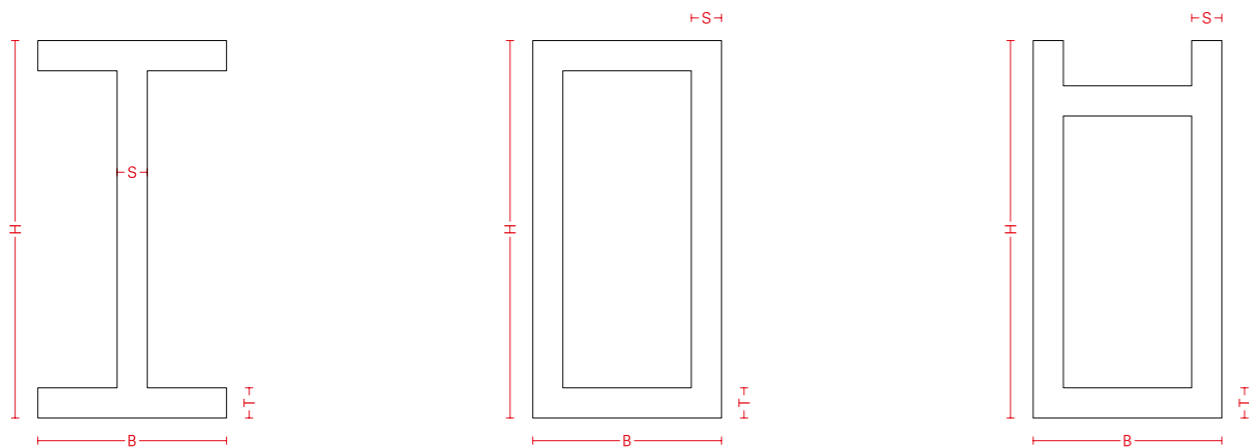
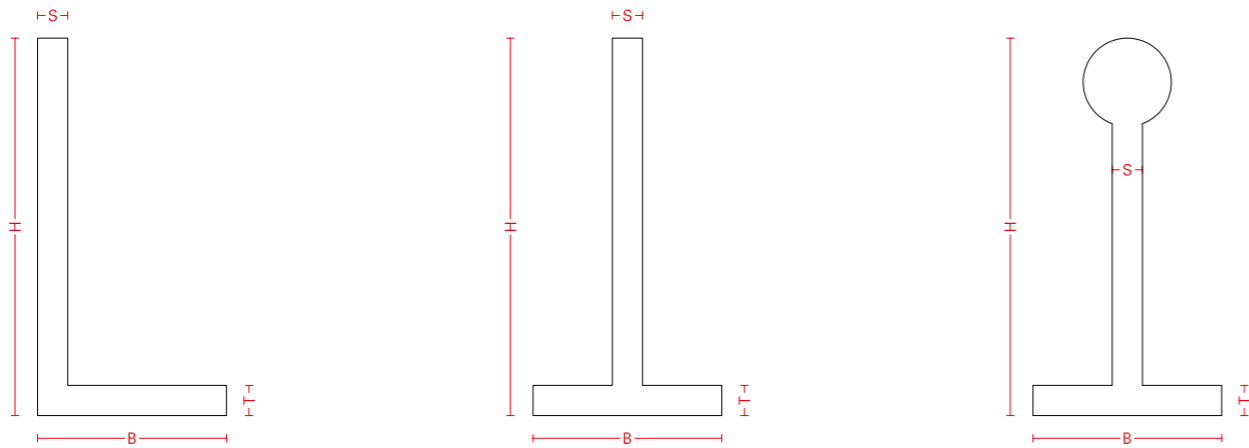
fixing channels - bar length 6000 mm

0 Bright steel 1 Aluminum 2 Galvanized steel



examples of laser welded custom profiles

-14 Laser welded and sand blasted steel -33 Laser welded and sand blasted stainless steel AISI 304L  
-34 Laser welded and sand blasted stainless steel AISI 316L

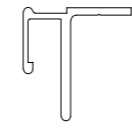


SIZE RANGE (mm)

B min	B max	H min	H max	S min	S max	T min	T max	L max
50	400	40	1000	4	30	4	50	15000

complimentary profiles – bar length 6000 mm

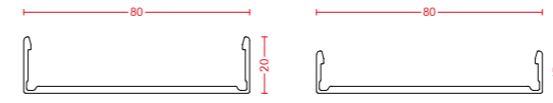
1 Aluminum



OS 92704 1  
VAPOUR BARRIER  
FIXING PROFILE

snap-on cover caps – bar length 6000 mm

1 Aluminum

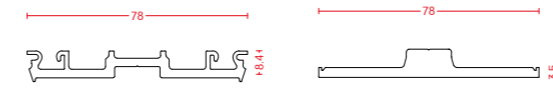


OS 92725 1

OS 92726 1

pressure plates

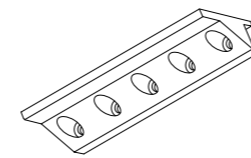
1 Aluminum



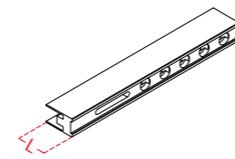
OS 92720 1

OS 92721 1

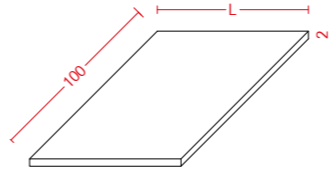
glass supports



OS 957530



OS 957290



OS 785016

COD	width	COD	width
OS 957530	20 mm	OS 957540	40 mm
OS 957531	22 mm	OS 957541	42 mm
OS 957532	24 mm	OS 957542	44 mm
OS 957533	26 mm	OS 957543	46 mm
OS 957534	28 mm	OS 957544	48 mm
OS 957535	30 mm	OS 957545	50 mm
OS 957536	32 mm	OS 957546	52 mm
OS 957537	34 mm	OS 957547	54 mm
OS 957538	36 mm	OS 957548	56 mm
OS 957539	38 mm	OS 957549	58 mm
		OS 957550	60 mm

COD	width
OS 957290	21,5 mm
OS 957291	25,5 mm
OS 957292	29,5 mm
OS 957293	33,5 mm
OS 957294	37,5 mm
OS 957295	41,5 mm
OS 957296	45,5 mm
OS 957297	49,5 mm

COD	width	COD	width
OS 785016	26 mm	OS 785105	42 mm
OS 785032	28 mm	OS 785113	44 mm
OS 785040	30 mm	OS 785172	46 mm
OS 785059	32 mm	OS 785792	48 mm
OS 785067	34 mm	OS 785806	50 mm
OS 785075	36 mm	OS 785814	52 mm
OS 785083	38 mm	OS 785822	54 mm
OS 785091	40 mm		



OS 958822  
L 22 mm

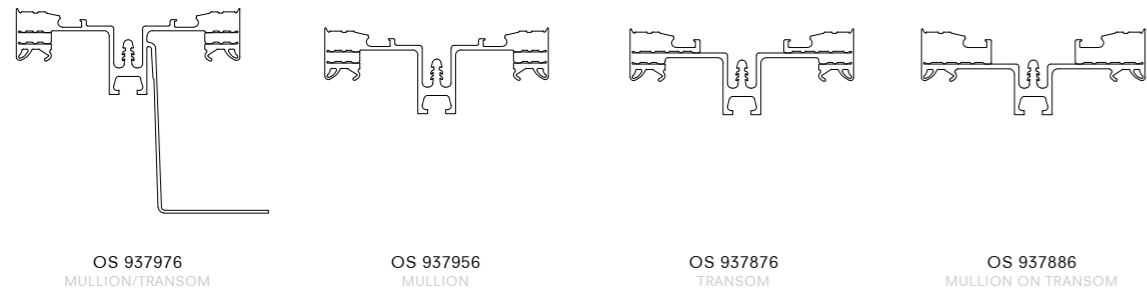


OS 958824  
L 24 mm

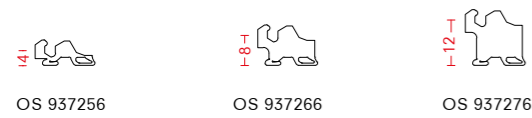


OS 957303

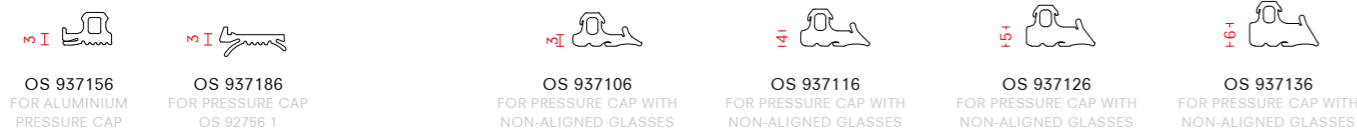
gaskets for mullions and transoms - three levels



compensation of infill thickness inside



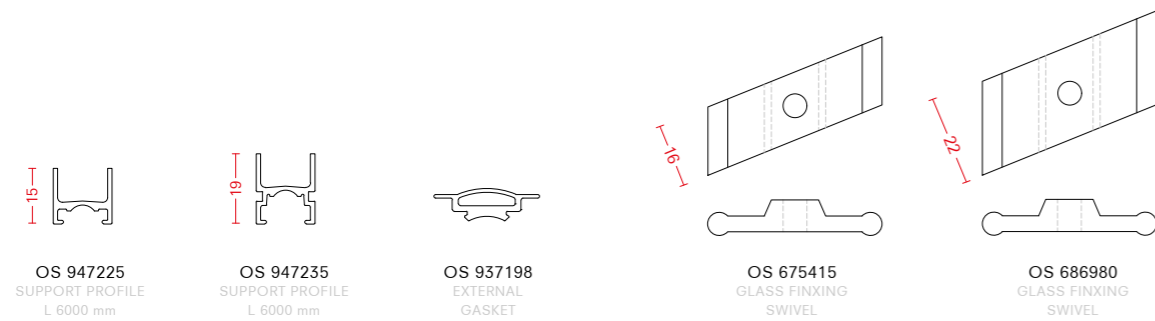
pressure caps gaskets



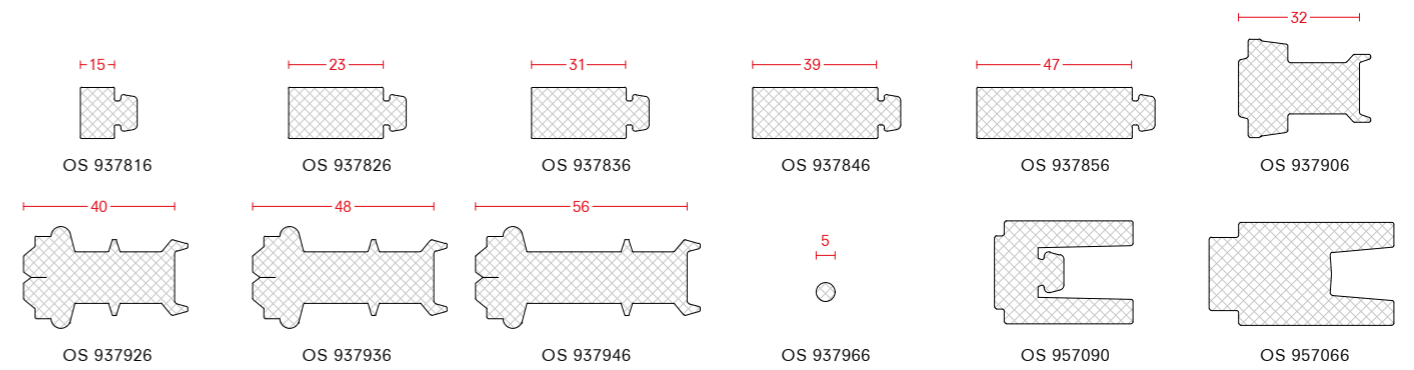
silicone



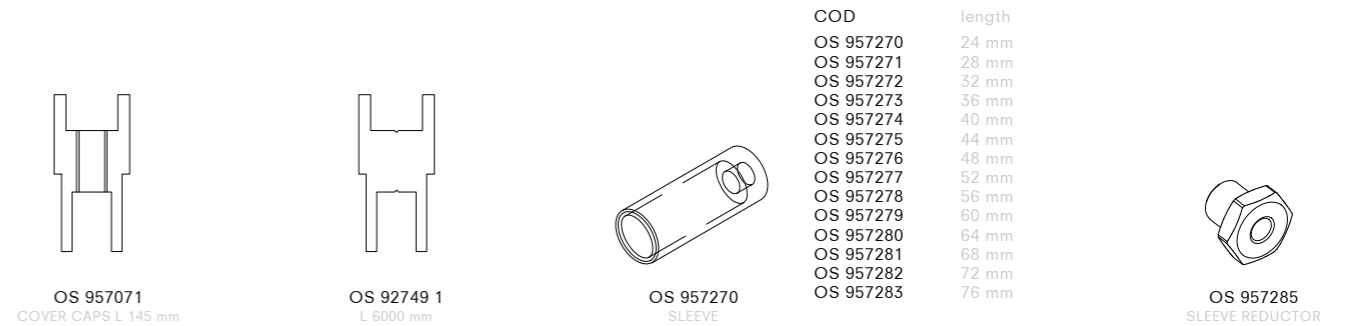
accessories for structurals glazing



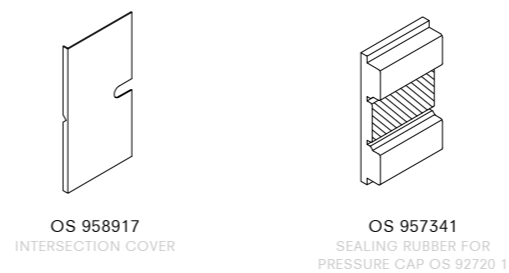
isolating foam gaskets



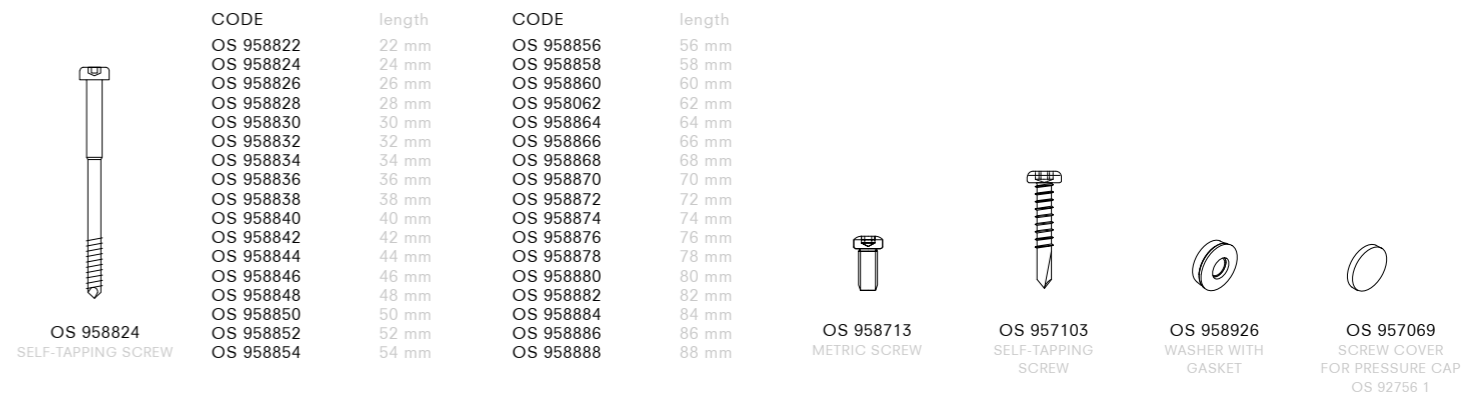
support for shading systems



intersection cover and sealing pieces

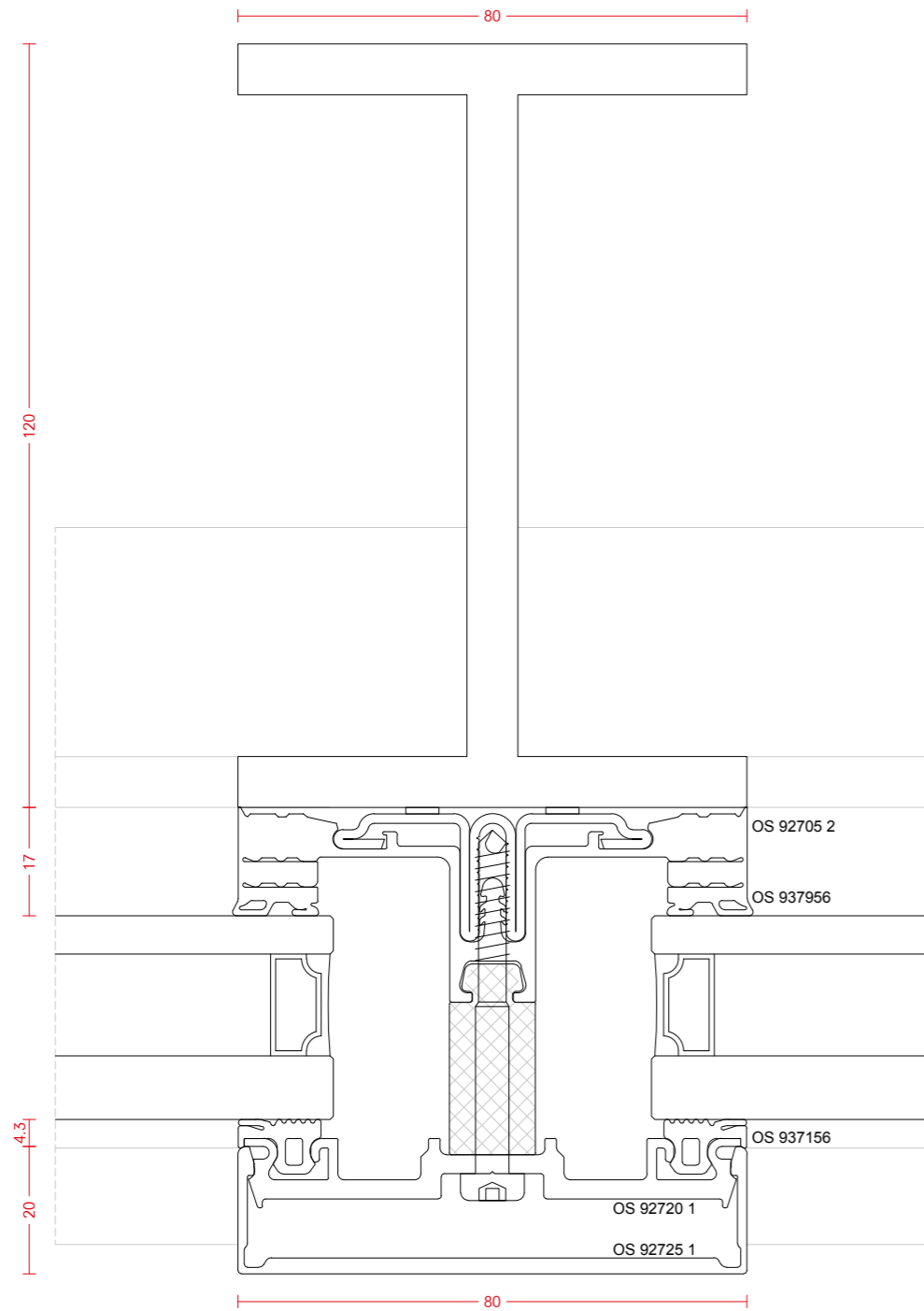


stainless steel screws

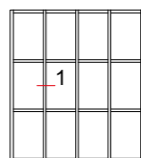


examples

SECTION 1

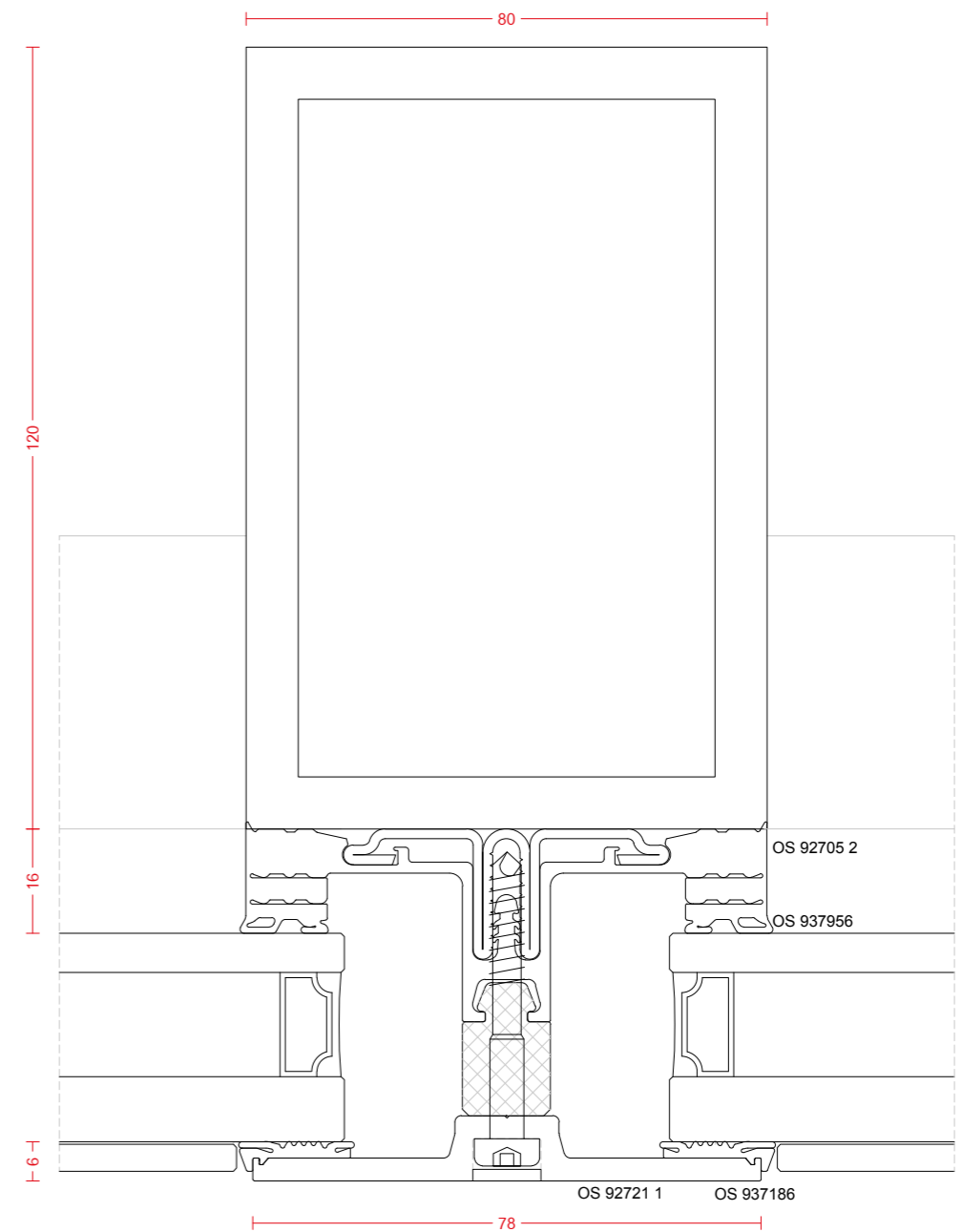


EXTERNAL

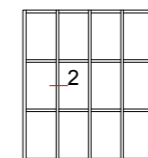


examples

SECTION 2



EXTERNAL



# ACCESSORIES

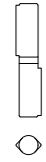


- Hinges
- Flush bolts
- Hardware
- Locks
- Handles

weld-on hinges

stated load capacity for two hinges

-02 Galvanized steel -03 Stainless steel AISI 304 2B -04 Satin stainless steel AISI 304 -12 Bright steel



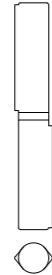
C99000-12  
L 60 mm Ø 10 mm  
CAPACITY: 38 Kg



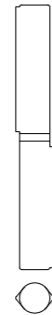
C99001-03  
C99001-12  
L 80 mm Ø 12 mm  
CAPACITY: 50 Kg



C99002-12  
L 100 mm Ø 14 mm  
CAPACITY: 80 Kg



C99003-12  
L 120 mm Ø 16 mm  
CAPACITY: 100 Kg



C99004-12  
L 140 mm Ø 16 mm  
CAPACITY: 140 Kg



C99005-02  
L 140 mm Ø 16 mm  
CAPACITY: 200 Kg



C99006-02  
C99006-03  
L 80 mm Ø 12 mm  
CAPACITY: 100 Kg



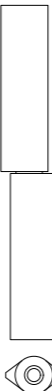
C99007-02  
L 140 mm Ø 16 mm  
CAPACITY: 230 Kg



C99008-04  
C99008-12\*  
L 122 mm Ø 16 mm  
CAPACITY: 160 Kg\*\*  
ADJUSTABILITY 3D



C99009-04  
C99009-12\*  
L 178 mm Ø 20 mm  
CAPACITY: 210 Kg\*\*  
ADJUSTABILITY 3D



C99120-12  
L 178 mm Ø 20 mm  
CAPACITY: 260 Kg  
ADJUSTABLE IN HEIGHT

COMPATIBILITY ●

\*for Cor-Ten profile (-07), please select cap -12  
\*\*stated load capacity for sash 900x2300 mm

	FerroFinestra Stucco	FerroFinestra W20	FerroFinestra W40	FerroFinestra W50 TB	FerroFinestra W75 TB galvanized	FerroFinestra W75 TB stainless	FerroFinestra W75 TB Cor-Ten	FerroFinestra W75 TB bright	BronzoFinestra B40	BronzoFinestra B75 TB	Mogs 2 mm M65 TB galvanized	Mogs 2 mm M65 TB stainless	Mogs 2 mm M65 TB Cor-Ten	Mogs 2 mm M65 TB bright	Mogs 2 mm Basic	FerroFinestra D75 TB galvanized	FerroFinestra D75 TB stainless	FerroFinestra D75 TB Cor-Ten	FerroFinestra D75 TB bright	BronzoFinestra DB75 TB	
C99000-12	●	●	●	●	●		●	●			●		●	●	●				●	●	
C99001-03		●	●	●	●	●					●										
C99001-12		●	●	●	●		●	●			●		●	●	●						
C99002-12		●	●	●	●		●	●			●		●	●	●						
C99003-12		●	●	●	●		●	●			●		●	●	●				●	●	
C99004-12		●	●	●	●		●	●			●		●	●	●				●	●	
C99005-02		●	●	●	●		●	●			●		●	●	●				●	●	
C99006-02		●	●	●	●		●	●			●		●	●	●				●	●	
C99006-03						●					●										
C99007-02		●	●	●	●		●	●			●		●	●	●				●	●	
C99008-04			●	●	●	●		●			●		●	●	●				●	●	
C99008-12			●	●	●		●	●			●		●	●	●				●	●	
C99009-04					●	●		●			●		●	●	●				●	●	
C99009-12					●		●	●			●		●	●	●				●	●	
C99120-12					●		●	●			●		●	●	●				●	●	

For other dimensional range, please refer to the technical specs

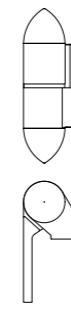
screw-on hinges

stated load capacity for two hinges

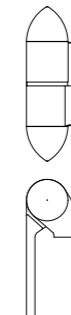
-02 Galvanized steel -06 Satin stainless steel AISI 316L -25 Natural brass



C99110-25 SX  
C99111-25 DX  
L 70 mm Ø 22 mm  
CAPACITY: 50 Kg



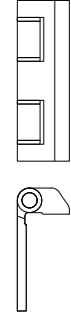
C99105-25 SX  
C99106-25 DX  
L 80 mm Ø 22 mm  
CAPACITY: 80 Kg



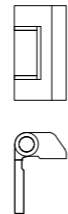
C99101-25 SX  
C99102-25 DX  
L 80 mm Ø 22 mm  
CAPACITY: 80 Kg



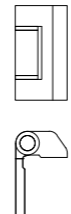
C99107-25  
L 85 mm Ø 12,5 mm  
CAPACITY: 80 Kg



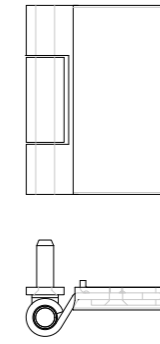
C04103-25  
L 85 mm Ø 12,5 mm  
CAPACITY: 80 Kg



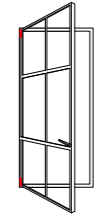
C99108-25  
L 50 mm Ø 12,5 mm  
CAPACITY: 50 Kg



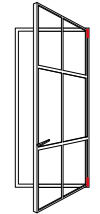
C04104-25  
L 50 mm Ø 12,5 mm  
CAPACITY: 50 Kg



C99014-02  
C99014-06  
L 100 mm Ø 20 mm  
CAPACITY: 100 Kg



SX



DX

COMPATIBILITY ●

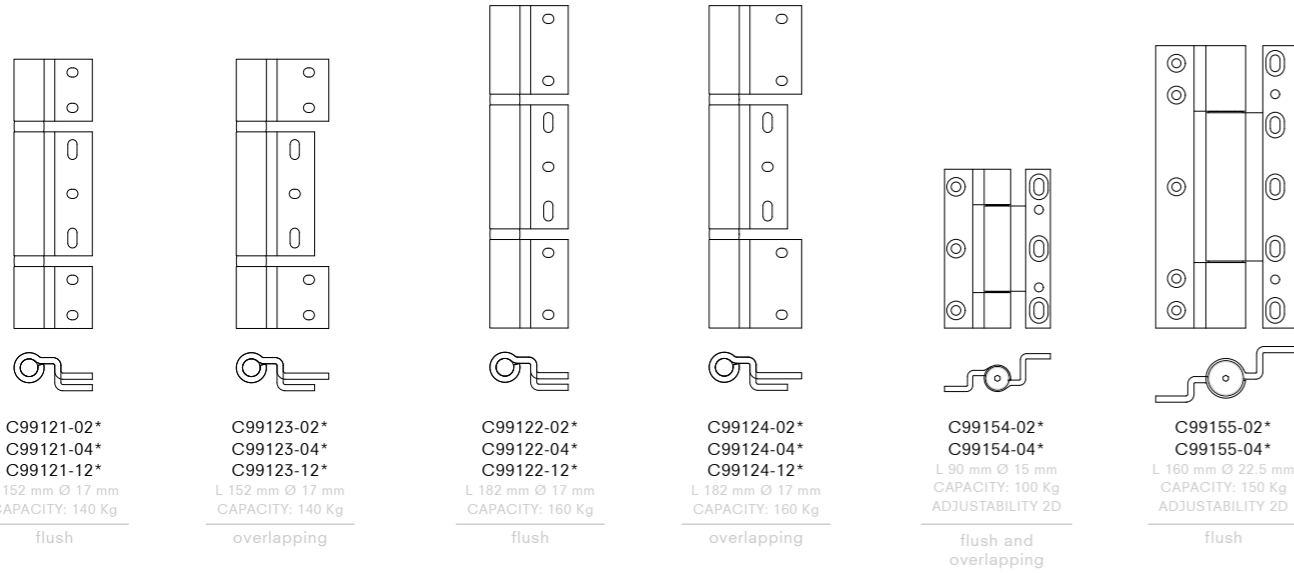
	FerroFinestra Stucco	FerroFinestra W20	FerroFinestra W40	FerroFinestra W50 TB	FerroFinestra W75 TB galvanized	FerroFinestra W75 TB stainless	FerroFinestra W75 TB Cor-Ten	FerroFinestra W75 TB bright	BronzoFinestra B40	BronzoFinestra B75 TB	Mogs 2 mm M65 TB galvanized	Mogs 2 mm M65 TB stainless	Mogs 2 mm M65 TB Cor-Ten	Mogs 2 mm M65 TB bright	Mogs 2 mm Basic	FerroFinestra D75 TB galvanized	FerroFinestra D75 TB stainless	FerroFinestra D75 TB Cor-Ten	FerroFinestra D75 TB bright	BronzoFinestra DB75 TB	
C99110-25		●	●						●												
C99111-25		●	●						●												
C99105-25		●	●						●												
C99106-25		●	●						●												
C99101-25				●																	
C99102-25				●																	
C99107-25	●	●	●						●												
C04103-25				●																	
C99108-25	●	●	●						●												
C04104-25				●																	
C99014-02															●	●				●	
C99014-06															●	●	●	●	●	●	●

For other dimensional range, please refer to the technical specs

screw-on hinges

stated load capacity for two hinges

-02 Galvanized steel -04 Satin stainless steel AISI 304 -12 Bright steel



**C99121-02\***  
C99121-04\*  
C99121-12\*  
L 152 mm Ø 17 mm  
CAPACITY: 140 Kg

**C99123-02\***  
C99123-04\*  
C99123-12\*  
L 152 mm Ø 17 mm  
CAPACITY: 140 Kg

**C99122-02\***  
C99122-04\*  
C99122-12\*  
L 182 mm Ø 17 mm  
CAPACITY: 160 Kg

**C99124-02\***  
C99124-04\*  
C99124-12\*  
L 182 mm Ø 17 mm  
CAPACITY: 160 Kg

**C99154-02\***  
C99154-04\*  
L 90 mm Ø 15 mm  
CAPACITY: 100 Kg  
ADJUSTABILITY 2D

**C99155-02\***  
C99155-04\*  
L 160 mm Ø 22.5 mm  
CAPACITY: 150 Kg  
ADJUSTABILITY 2D

COMPATIBILITY ● \*cannot be used on tilt and turn

	FerroFinestra Stucco	FerroFinestra W20	FerroFinestra W40	FerroFinestra W50 TB	FerroFinestra W75 TB galvanized	FerroFinestra W75 TB stainless	FerroFinestra W75 TB Cor-Ten	FerroFinestra W75 TB bright	BronzoFinestra B40	BronzoFinestra B75 TB	Mogs 2 mm M65 TB galvanized	Mogs 2 mm M65 TB stainless	Mogs 2 mm M65 TB Cor-Ten	Mogs 2 mm M65 TB bright	Mogs 2 mm Basic	FerroFinestra D75 TB galvanized	FerroFinestra D75 TB stainless	FerroFinestra D75 TB Cor-Ten	FerroFinestra D75 TB bright	BronzoFinestra DB75 TB	
C99121-02					●											●					
C99121-04						●				●							●				●
C99121-12							●	●										●	●		
C99122-02					●											●					
C99122-04						●				●							●				●
C99122-12							●	●										●	●		
C99123-02					●																
C99123-04						●				●							●				●
C99123-12							●	●										●	●		
C99124-02					●											●					
C99124-04						●				●							●				●
C99124-12							●	●										●	●		
C99154-02					●			●								●				●	
C99154-04						●	●			●							●	●	●		●
C99155-02																●				●	
C99155-04																	●	●			●

concealed hinge

stated load capacity for two hinges

-02 Galvanized steel -46 Black cataphoresis



**C99402-02**  
CAPACITY: 160 Kg  
OPENING ANGLE 90°  
MAX OPENING ANGLE 90°

**C99403-46**  
CAPACITY: 160 Kg  
OPENING ANGLE 90°  
MAX OPENING ANGLE 90°

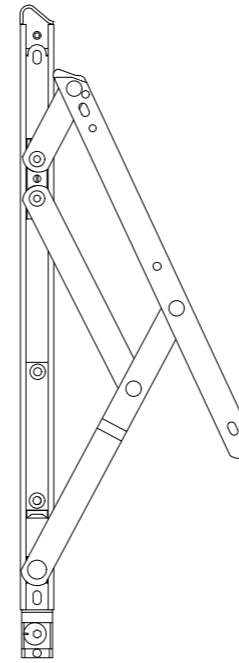
COMPATIBILITY ●

	FerroFinestra Stucco	FerroFinestra W20	FerroFinestra W40	FerroFinestra W50 TB	FerroFinestra W75 TB galvanized	FerroFinestra W75 TB stainless	FerroFinestra W75 TB Cor-Ten	FerroFinestra W75 TB bright	BronzoFinestra B40	BronzoFinestra B75 TB	Mogs 2 mm M65 TB galvanized	Mogs 2 mm M65 TB stainless	Mogs 2 mm M65 TB Cor-Ten	Mogs 2 mm M65 TB bright	Mogs 2 mm Basic	FerroFinestra D75 TB galvanized	FerroFinestra D75 TB stainless	FerroFinestra D75 TB Cor-Ten	FerroFinestra D75 TB bright	BronzoFinestra DB75 TB	
C99402-02															●						
C99403-46																●		●	●		

friction stays

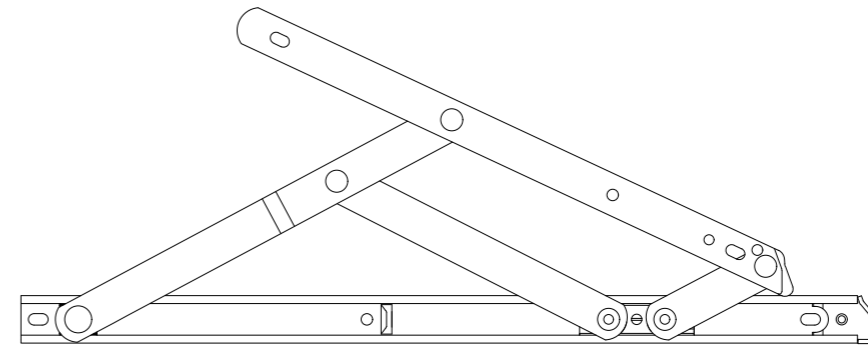
stated load capacity for two friction stays

-05 Stainless steel AISI 316L 2B



**C99201-05** CAPACITY: 40 Kg - H SASH 270+640 mm - OPENING ANGLE 50°  
**C99202-05** CAPACITY: 50 Kg - H SASH 640+800 mm - OPENING ANGLE 50°  
**C99203-05** CAPACITY: 65 Kg - H SASH 800+1100 mm - OPENING ANGLE 50°  
**C99204-05** CAPACITY: 100 Kg - H SASH 600+1100 mm - OPENING ANGLE 30°  
**C99205-05** CAPACITY: 100 Kg - H SASH 1100+1500 mm - OPENING ANGLE 45°  
**C99206-05** CAPACITY: 100 Kg - H SASH 1500+2000 mm - OPENING ANGLE 20°  
**C99207-05** CAPACITY: 180 Kg - H SASH 2000+2500 mm - OPENING ANGLE 20°

VERTICAL FRICTION STAY OPEN OUT



**C99210-05** CAPACITY: 22 Kg - L SASH 300+600 mm - OPENING ANGLE 80°  
**C99211-05** CAPACITY: 24 Kg - L SASH 400+700 mm - OPENING ANGLE 90°  
**C99212-05** CAPACITY: 38 Kg - L SASH 300+660 mm - OPENING ANGLE 85°  
**C99213-05** CAPACITY: 55 Kg - L SASH 450+840 mm - OPENING ANGLE 60°

HORIZONTAL FRICTION STAY OPEN IN AND OUT

COMPATIBILITY ●

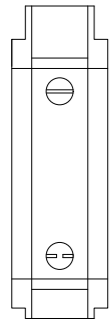
	FerroFinestra Stucco	FerroFinestra W20	FerroFinestra W40	FerroFinestra W50 TB	FerroFinestra W75 TB galvanized	FerroFinestra W75 TB stainless	FerroFinestra W75 TB Cor-Ten	FerroFinestra W75 TB bright	BronzoFinestra B40	BronzoFinestra B75 TB	Mogs 2 mm M65 TB galvanized	Mogs 2 mm M65 TB stainless	Mogs 2 mm M65 TB Cor-Ten	Mogs 2 mm M65 TB bright	Mogs 2 mm Basic	FerroFinestra D75 TB galvanized	FerroFinestra D75 TB stainless	FerroFinestra D75 TB Cor-Ten	FerroFinestra D75 TB bright	BronzoFinestra DB75 TB	
FRICTION STAY		●	●	●	●	●	●	●	●	●	●	●	●	●	●						



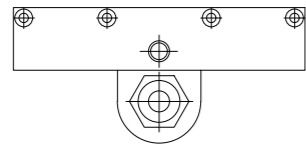
pivot hinges

-00 Aluminum -02 Galvanized steel -05 Stainless steel AISI 316L 2B -06 Satin stainless steel AISI 316L -12 Bright steel  
-25 Natural brass -40 Light grey

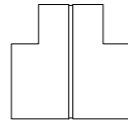
stated load capacity per pair/set



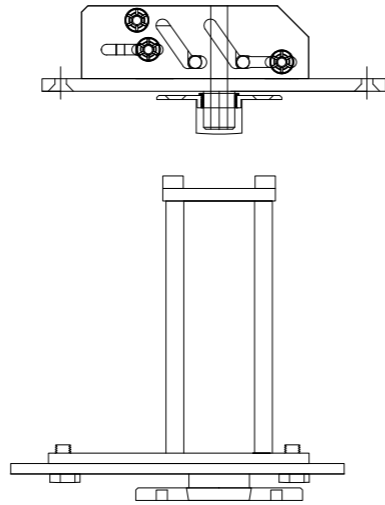
C99341-40  
PAIR  
HORIZONTAL - CAPACITY: 300 Kg



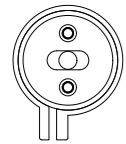
C99342-40  
PAIR  
VERTICAL - CAPACITY: 175 Kg



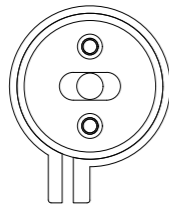
C99320-00  
PAIR  
VERTICAL - CAPACITY: 80 Kg  
HORIZONTAL - CAPACITY: 120 Kg



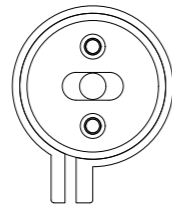
C99330-06  
PIVOTING MECHANISM FOR DOORS  
VERTICAL - CAPACITY: 350 Kg



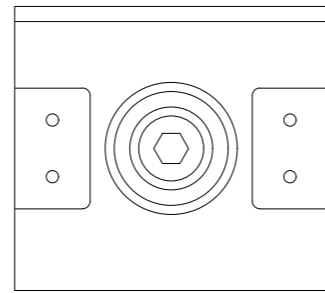
C99326-25\*  
PAIR  
HORIZONTAL - CAPACITY: 100 Kg



C99325-25\*  
PAIR  
HORIZONTAL - CAPACITY: 100 Kg



C99324-25\*  
PAIR  
HORIZONTAL - CAPACITY: 100 Kg

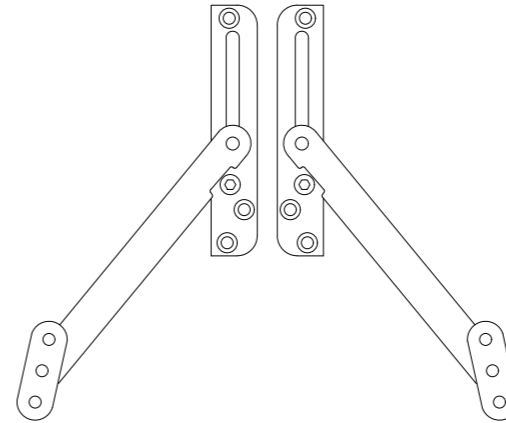


C99327-05  
C99327-12  
C99327-25\*\*  
SINGLE  
VERTICAL - CAPACITY: 300 Kg  
HORIZONTAL - CAPACITY: 200 Kg  
W75 TB / B75 TB

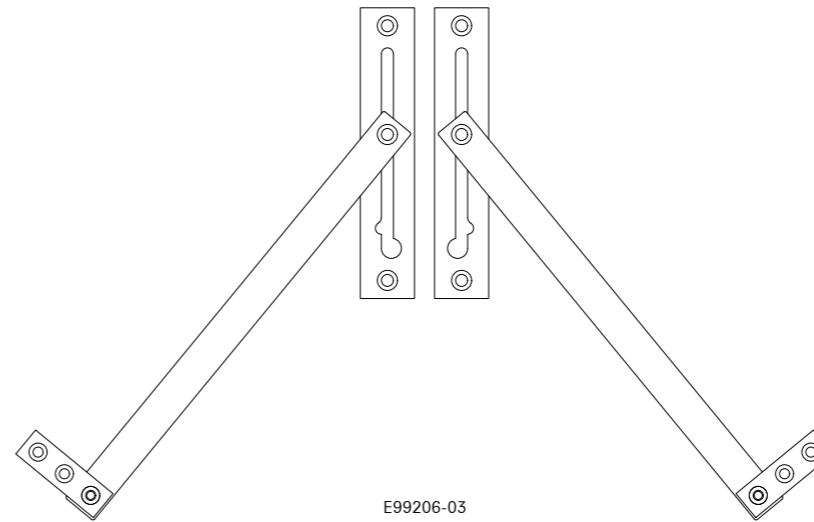
opening restrictors

-02 Galvanized steel -03 Stainless steel AISI 304 2B -05 Stainless steel AISI 316L 2B

stated load capacity per pair/set



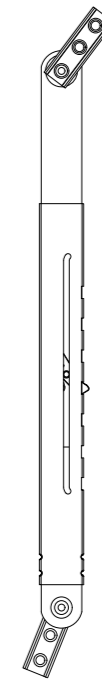
E99201-02  
OPENING RESTRICTOR PAIR



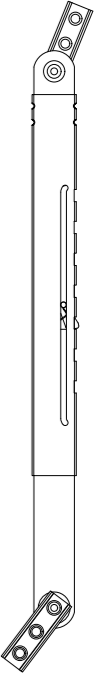
E99206-03  
OPENING RESTRICTOR PAIR



E99204-02  
OPENING RESTRICTOR FOR PROFILE  
WITH GASKET GROOVE



E99203-05\*  
OPENING RESTRICTOR PAIR  
WITH LATCH FOR TOP HUNG  
CAPACITY: 110 Kg



E99205-05\*  
OPENING RESTRICTOR PAIR WITH  
LATCH FOR BOTTOM HUNG  
CAPACITY: 110 Kg

COMPATIBILITY ●

\*only available for specific countries  
\*\*KIT K99087 needed

	FerroFinestra Stucco	FerroFinestra W20	FerroFinestra W40	FerroFinestra W50 TB	FerroFinestra W75 TB galvanized	FerroFinestra W75 TB stainless	FerroFinestra W75 TB Cor-Ten	FerroFinestra W75 TB bright	BronzoFinestra B40	BronzoFinestra B75 TB	Mogs 2 mm M65 TB galvanized	Mogs 2 mm M65 TB stainless	Mogs 2 mm M65 TB Cor-Ten	Mogs 2 mm M65 TB bright	Mogs 2 mm Basic	FerroFinestra D75 TB galvanized	FerroFinestra D75 TB stainless	FerroFinestra D75 TB Cor-Ten	FerroFinestra D75 TB bright	BronzoFinestra DB75 TB	
C99341-40											●	●	●	●	●						
C99342-40											●	●	●	●	●						
C99320-00				●							●	●	●	●	●						
C99330-06											●	●	●	●	●	●	●	●	●	●	
C99326-25		●																			
C99325-25			●																		
C99324-25				●																	
C99327-05						●															
C99327-12							●	●													
C99327-25										●											

COMPATIBILITY ●

\*H sash min. 450 mm

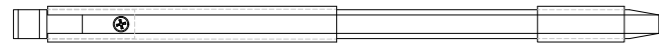
	FerroFinestra Stucco	FerroFinestra W20	FerroFinestra W40	FerroFinestra W50 TB	FerroFinestra W75 TB galvanized	FerroFinestra W75 TB stainless	FerroFinestra W75 TB Cor-Ten	FerroFinestra W75 TB bright	BronzoFinestra B40	BronzoFinestra B75 TB	Mogs 2 mm M65 TB galvanized	Mogs 2 mm M65 TB stainless	Mogs 2 mm M65 TB Cor-Ten	Mogs 2 mm M65 TB bright	Mogs 2 mm Basic	FerroFinestra D75 TB galvanized	FerroFinestra D75 TB stainless	FerroFinestra D75 TB Cor-Ten	FerroFinestra D75 TB bright	BronzoFinestra DB75 TB	
E99201-02					●	●	●	●			●	●	●	●	●						
E99203-05		●	●	●	●	●	●	●	●	●	●	●	●	●	●						
E99204-02					●	●	●	●			●	●	●	●	●						
E99205-05		●	●	●	●	●	●	●	●	●	●	●	●	●	●						
E99206-03		●	●								●	●	●	●	●						

flush bolts

-15 Satin chrome -17 Dark bronze -18 Oil rubbed bronze -42 Gun metal -43 Matt black



E99001-nn  
L 150 mm B 18,5 mm



E99002-nn  
L 300 mm B 18,5 mm



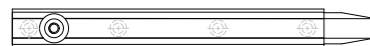
E99003-nn  
L 450 mm B 18,5 mm



E99004-nn  
EXTENSION  
L 425 mm B 20 mm

flush bolts - front installation

-15 Satin chrome -17 Dark bronze -18 Oil rubbed bronze -42 Gun metal -43 Matt black



E99005-nn  
L 150 mm B 18,5 mm  
FRONT INSTALLATION



E99006-nn  
L 300 mm B 18,5 mm  
FRONT INSTALLATION



E99007-nn  
L 450 mm B 18,5 mm  
FRONT INSTALLATION

COMPATIBILITY ●

	FerroFinestra Stucco	FerroFinestra W20	FerroFinestra W40	FerroFinestra W50 TB	FerroFinestra W75 TB galvanized	FerroFinestra W75 TB stainless	FerroFinestra W75 TB Cor-Ten	FerroFinestra W75 TB bright	BronzoFinestra B40	BronzoFinestra B75 TB	Mogs 2 mm M65 TB galvanized	Mogs 2 mm M65 TB stainless	Mogs 2 mm M65 TB Cor-Ten	Mogs 2 mm M65 TB bright	Mogs 2 mm Basic	FerroFinestra D75 TB galvanized	FerroFinestra D75 TB stainless	FerroFinestra D75 TB Cor-Ten	FerroFinestra D75 TB bright	BronzoFinestra DB75 TB	
E99001/2/3-nn		●	●	●	●	●	●	●	●	●	●	●	●	●							
E99004-nn		●	●	●	●	●	●	●	●	●	●	●	●	●							
E99005/6/7-nn		●	●	●	●	●	●	●	●	●	●	●	●	●	●						

flush bolts with lever

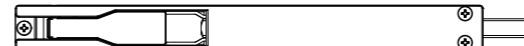
-02 Galvanized steel -05 Stainless steel AISI 316L 2B -11 Zamak -35 Black



E99030-02\*\*  
PAIR OF FLUSH BOLTS FOR SECOND LEAF



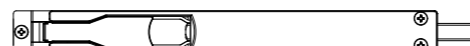
E99010-35  
L 140 mm B 22 mm



E99011-35  
L 225 mm B 22 mm



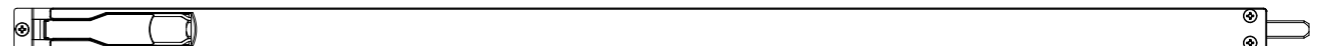
E99021-35  
L 140 mm B 24 mm



E99022-35  
L 220 mm B 24 mm



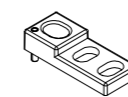
E99023-35  
L 450 mm B 24 mm



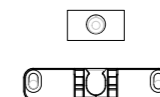
E99024-35  
L 650 mm B 24 mm



E99013-05  
FLOOR RECESS STRIKE



E99012-11  
UPPER STRIKE



K88201\*  
ROLLER SNAP CATCH SET

COMPATIBILITY ●

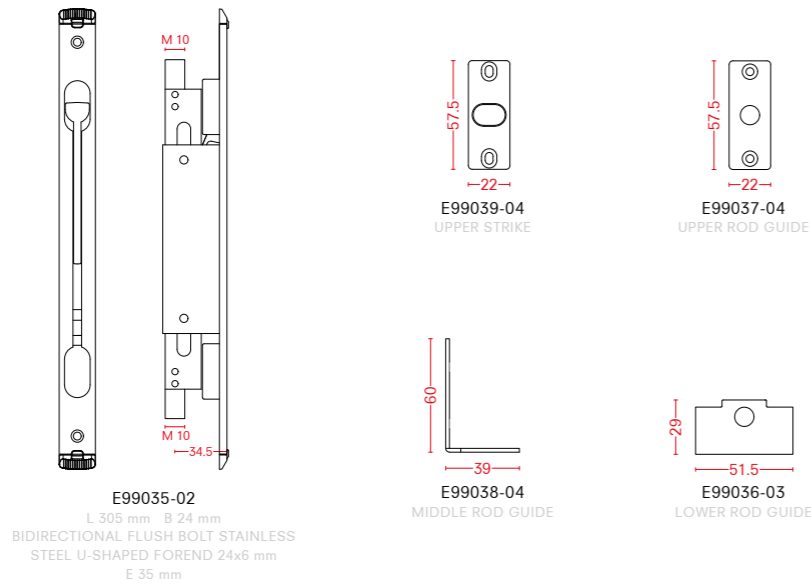
	FerroFinestra Stucco	FerroFinestra W20	FerroFinestra W40	FerroFinestra W50 TB	FerroFinestra W75 TB galvanized	FerroFinestra W75 TB stainless	FerroFinestra W75 TB Cor-Ten	FerroFinestra W75 TB bright	BronzoFinestra B40	BronzoFinestra B75 TB	Mogs 2 mm M65 TB galvanized	Mogs 2 mm M65 TB stainless	Mogs 2 mm M65 TB Cor-Ten	Mogs 2 mm M65 TB bright	Mogs 2 mm Basic	FerroFinestra D75 TB galvanized	FerroFinestra D75 TB stainless	FerroFinestra D75 TB Cor-Ten	FerroFinestra D75 TB bright	BronzoFinestra DB75 TB	
E9901X-nn		●	●	●	●	●	●	●	●	●	●	●	●	●	●	●	●	●	●	●	●
E9902X-nn			●	●	●	●	●	●	●	●	●	●	●	●	●	●	●	●	●	●	●
E99030-nn					●	●	●	●	●	●	●	●	●	●	●	●	●	●	●	●	●
K88201					●	●	●	●	●	●	●	●	●	●	●	●	●	●	●	●	●

\*can be used only on profile with gasket groove

\*\*can be used only on second leaf profiles without gasket groove

flush bolt for door

-02 Galvanized steel -03 Stainless steel AISI 304 2B -04 Satin stainless steel AISI 304



COMPATIBILITY ●

	FerroFinestra Stucco	FerroFinestra W20	FerroFinestra W40	FerroFinestra W50 TB	FerroFinestra W75 TB galvanized	FerroFinestra W75 TB stainless	FerroFinestra W75 TB Cor-Ten	FerroFinestra W75 TB bright	BronzoFinestra B40	BronzoFinestra B75 TB	Mogs 2 mm M65 TB galvanized	Mogs 2 mm M65 TB stainless	Mogs 2 mm M65 TB Cor-Ten	Mogs 2 mm M65 TB bright	Mogs 2 mm Basic	FerroFinestra D75 TB galvanized	FerroFinestra D75 TB stainless	FerroFinestra D75 TB Cor-Ten	FerroFinestra D75 TB bright	BronzoFinestra DB75 TB
E99035-02																●	●	●	●	●

multipoint hardware - please see the Technical Catalogue of the specific series for details

		FerroFinestra W40	FerroFinestra W50 TB	FerroFinestra W75 TB galvanized	FerroFinestra W75 TB stainless	FerroFinestra W75 TB Cor-Ten	FerroFinestra W75 TB bright	BronzoFinestra B75 TB	Mogs 2 mm M65 TB galvanized	Mogs 2 mm M65 TB stainless	Mogs 2 mm M65 TB Cor-Ten	Mogs 2 mm M65 TB bright
	side hung single leaf open in	●	●	●	●	●	●	●				
	side hung double leaves open in	●	●	●	●	●	●	●				
	side hung single leaf open out	●	●	●	●	●	●	●	●	●	●	●
	side hung double leaves open out	●	●	●	●	●	●	●				
	bottom hung	●	●	●	●	●	●	●				
	top hung	●	●	●	●	●	●	●	●	●	●	●

For dimensional range, capacity and orders, please refer to Technical Catalogue of the specific series

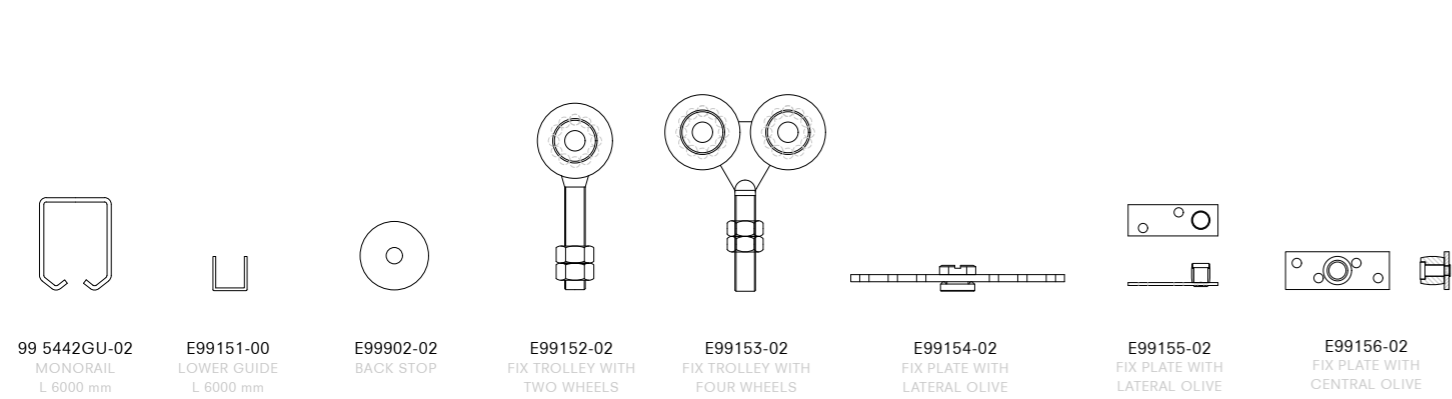
concealed multipoint and tilt and turn fittings - please see the Technical Catalogue of the specific series for details

		FerroFinestra W40	FerroFinestra W75 TB galvanized	FerroFinestra W75 TB stainless	FerroFinestra W75 TB Cor-Ten	FerroFinestra W75 TB bright	BronzoFinestra B75 TB	Mogs 2 mm M65 TB galvanized	Mogs 2 mm M65 TB stainless	Mogs 2 mm M65 TB Cor-Ten	Mogs 2 mm M65 TB bright	Mogs 2 mm Basic
	side hung single leaf without hinges	●	●	●	●	●	●	●	●	●	●	●
	side hung single leaf with visible hinges							●	●	●	●	●
	side hung single leaf with concealed hinges	●	●	●	●	●	●	●	●	●	●	●
	side hung double leaves without hinges	●	●	●	●	●	●	●	●	●	●	●
	side hung double leaves with visible hinges							●	●	●	●	●
	side hung double leaves with concealed hinges	●	●	●	●	●	●	●	●	●	●	●
	tilt and side hung single leaf with visible hinges							●	●	●	●	●
	tilt and side hung single leaf with concealed hinges	●	●	●	●	●	●	●	●	●	●	●
	tilt and turn double leaves with visible hinges							●	●	●	●	●
	tilt and side hung double leaves with concealed hinges	●	●	●	●	●	●	●	●	●	●	●
	bottom hung with visible hinges							●	●	●	●	●
	bottom hung with concealed hinges		●	●	●	●	●	●	●	●	●	●

For dimensional range, capacity and orders, please refer to Technical Catalogue of the specific series

sliding set - please see the Technical Catalogue of the specific series for details

-00 Aluminum -02 Galvanized steel



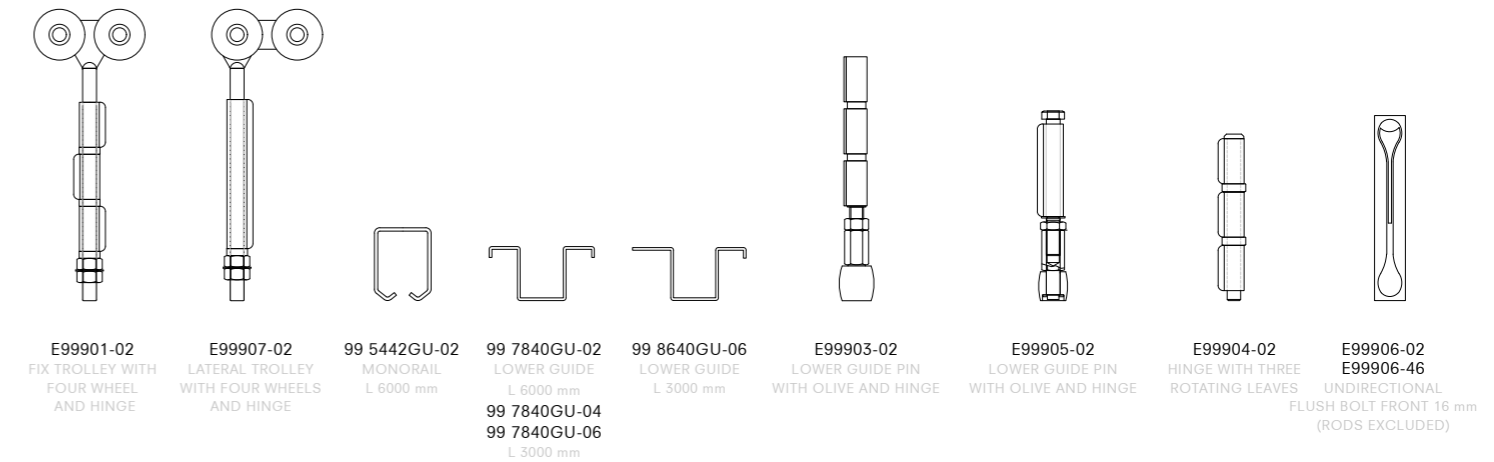
99 5442GU-02 MONORAIL L 6000 mm  
 E99151-00 LOWER GUIDE L 6000 mm  
 E99902-02 BACK STOP  
 E99152-02 FIX TROLLEY WITH TWO WHEELS  
 E99153-02 FIX TROLLEY WITH FOUR WHEELS  
 E99154-02 FIX PLATE WITH LATERAL OLIVE  
 E99155-02 FIX PLATE WITH LATERAL OLIVE  
 E99156-02 FIX PLATE WITH CENTRAL OLIVE

COMPATIBILITY ●

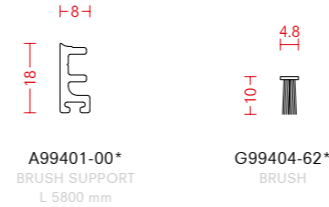
	FerroFinestra Stucco	FerroFinestra W20	FerroFinestra W40	FerroFinestra W50 TB	FerroFinestra W75 TB galvanized	FerroFinestra W75 TB stainless	FerroFinestra W75 TB Cor-Ten	FerroFinestra W75 TB bright	BronzoFinestra B40	BronzoFinestra B75 TB	Mogs 2 mm M65 TB galvanized	Mogs 2 mm M65 TB stainless	Mogs 2 mm M65 TB Cor-Ten	Mogs 2 mm M65 TB bright	Mogs 2 mm Basic	FerroFinestra D75 TB galvanized	FerroFinestra D75 TB stainless	FerroFinestra D75 TB Cor-Ten	FerroFinestra D75 TB bright	BronzoFinestra DB75 TB	
LIFT AND SLIDE			●	●	●		●	●			●		●	●	●						

bifolding - please see the Technical Catalogue of the specific series for details

-00 Aluminum -02 Galvanized steel -04 Satin stainless steel AISI 304 -06 Satin stainless steel AISI 316L -46 Black cataphoresis -62 PVC



E99901-02 FIX TROLLEY WITH FOUR WHEEL AND HINGE  
 E99907-02 LATERAL TROLLEY WITH FOUR WHEELS AND HINGE  
 99 5442GU-02 MONORAIL L 6000 mm  
 99 7840GU-02 LOWER GUIDE L 6000 mm  
 99 8640GU-06 LOWER GUIDE L 3000 mm  
 E99903-02 LOWER GUIDE PIN WITH OLIVE AND HINGE  
 E99905-02 LOWER GUIDE PIN WITH OLIVE AND HINGE  
 E99904-02 HINGE WITH THREE ROTATING LEAVES  
 E99906-46 UNIDIRECTIONAL FLUSH BOLT FRONT 16 mm (RODS EXCLUDED)



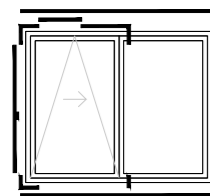
A99401-00\* BRUSH SUPPORT L 5800 mm  
 G99404-62\* BRUSH

COMPATIBILITY ●

\*with profiles M65 TB: see the Technical Catalogue

	FerroFinestra Stucco	FerroFinestra W20	FerroFinestra W40	FerroFinestra W50 TB	FerroFinestra W75 TB galvanized	FerroFinestra W75 TB stainless	FerroFinestra W75 TB Cor-Ten	FerroFinestra W75 TB bright	BronzoFinestra B40	BronzoFinestra B75 TB	Mogs 2 mm M65 TB galvanized	Mogs 2 mm M65 TB stainless	Mogs 2 mm M65 TB Cor-Ten	Mogs 2 mm M65 TB bright	Mogs 2 mm Basic	FerroFinestra D75 TB galvanized	FerroFinestra D75 TB stainless	FerroFinestra D75 TB Cor-Ten	FerroFinestra D75 TB bright	BronzoFinestra DB75 TB	
BIFOLDING			●	●	●						●			●	●						

parallel opening and sliding set - please see the Technical Catalogue of the specific series for details



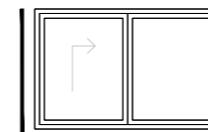
FITTING FOR PARALLEL OPENING AND SLIDING DOORS

CAPACITY UP TO 200 Kg

COMPATIBILITY ●

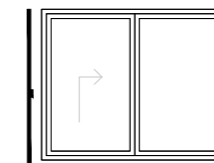
	FerroFinestra Stucco	FerroFinestra W20	FerroFinestra W40	FerroFinestra W50 TB	FerroFinestra W75 TB galvanized	FerroFinestra W75 TB stainless	FerroFinestra W75 TB Cor-Ten	FerroFinestra W75 TB bright	BronzoFinestra B40	BronzoFinestra B75 TB	Mogs 2 mm M65 TB galvanized	Mogs 2 mm M65 TB stainless	Mogs 2 mm M65 TB Cor-Ten	Mogs 2 mm M65 TB bright	Mogs 2 mm Basic	FerroFinestra D75 TB galvanized	FerroFinestra D75 TB stainless	FerroFinestra D75 TB Cor-Ten	FerroFinestra D75 TB bright	BronzoFinestra DB75 TB	
PARALLEL SLIDE					●	●	●	●		●	●	●	●	●							

lift and slide - please see the Technical Catalogue of the specific series for details



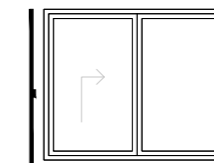
FITTINGS FOR LIFT AND SLIDE

CAPACITY 300 Kg  
HANDLE HEIGHT 410 mm



FITTINGS FOR LIFT AND SLIDE

CAPACITY 300 Kg  
HANDLE HEIGHT 1010 mm

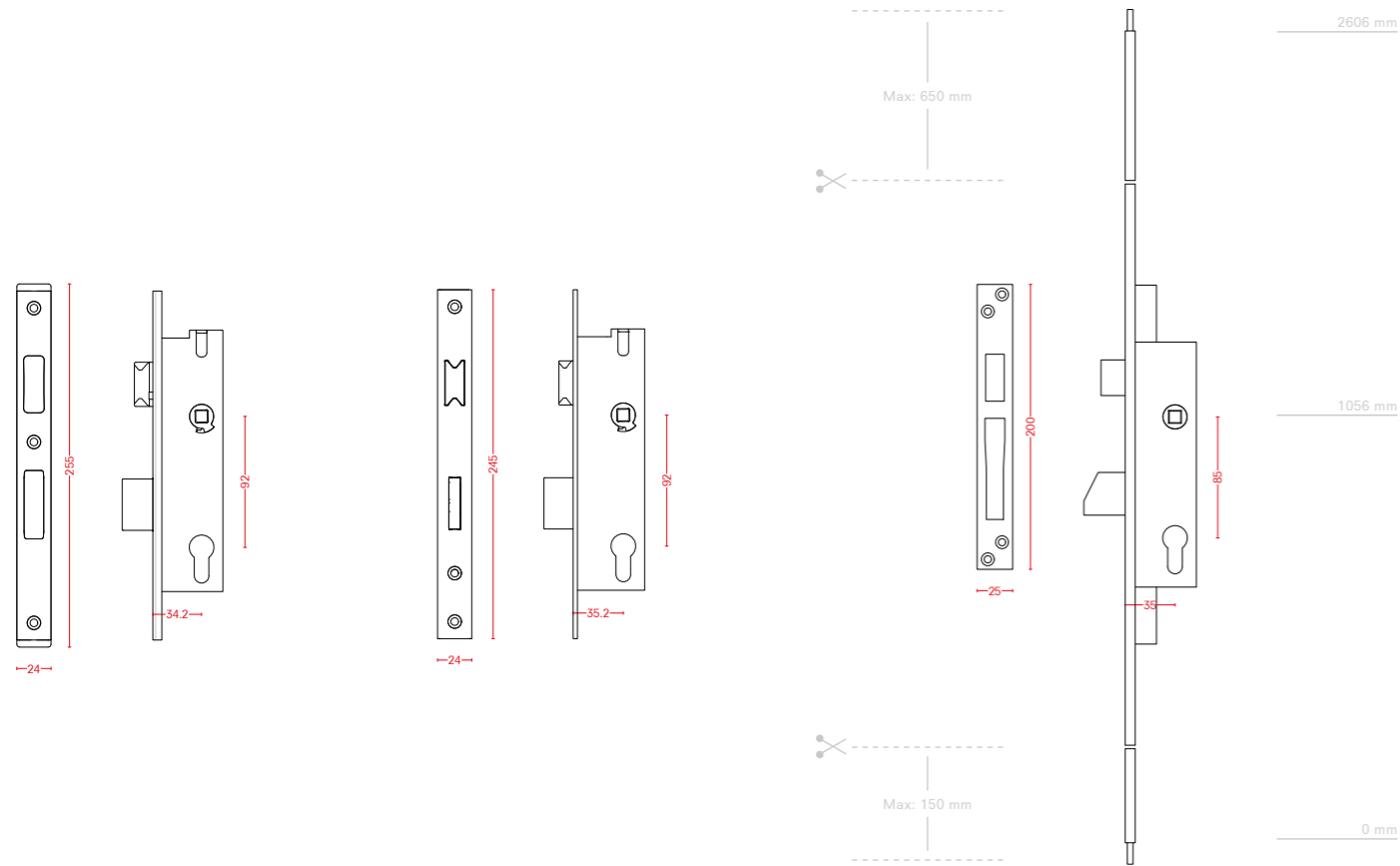


FITTINGS FOR LIFT AND SLIDE

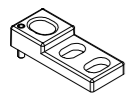
CAPACITY 400 Kg  
HANDLE HEIGHT 1010 mm

lock/multipoint lock for locking box

-02 Galvanized steel -05 Stainless steel AISI 316L 2B -11 Zamak



**B99005-02**  
LOCK STAINLESS STEEL  
U-SHAPED FOREND 24x6 mm  
BACKSET 35 mm



**E99012-11**  
UPPER STRIKE FOR  
LOCK B99101-02

**B99006-02**  
LOCK STAINLESS STEEL  
FOREND 24x3 mm  
BACKSET 35 mm



**E99013-05**  
FLOOR RECESS STRIKE FOR  
LOCK B99101-02

**B99101-02\***  
LOCK 3-LOCKING POINTS  
U-SHAPED BLACK FOREND 24x7mm  
MAXIMUM H LEAF: 2600 mm  
BACKSET 35 mm

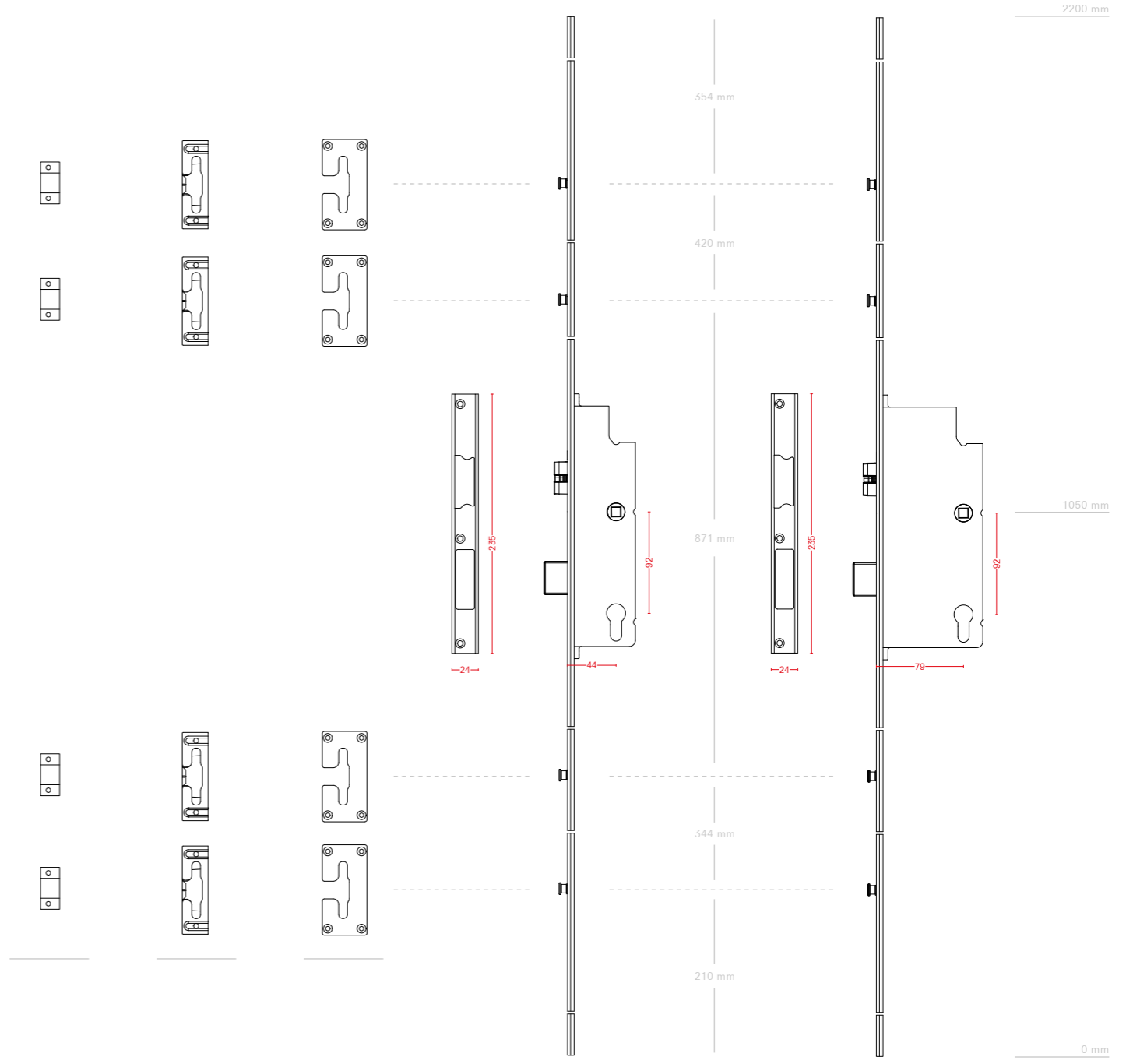
COMPATIBILITY ●

\*can be used only for single or for double leaves with specular lock

	FerroFinestra Stucco	FerroFinestra W20	FerroFinestra W40	FerroFinestra W50 TB	FerroFinestra W75 TB galvanized	FerroFinestra W75 TB stainless	FerroFinestra W75 TB Cor-Ten	FerroFinestra W75 TB bright	BronzoFinestra B40	BronzoFinestra B75 TB	Mogs 2 mm M65 TB galvanized	Mogs 2 mm M65 TB stainless	Mogs 2 mm M65 TB Cor-Ten	Mogs 2 mm M65 TB bright	Mogs 2 mm Basic	FerroFinestra D75 TB galvanized	FerroFinestra D75 TB stainless	FerroFinestra D75 TB Cor-Ten	FerroFinestra D75 TB bright	BronzoFinestra DB75 TB
B99005-02		●	●	●	●	●	●	●	●	●						●	●	●	●	●
B99006-02											●	●	●	●	●	●	●	●	●	●
B99101-02			●	●	●	●	●	●	●	●						●	●	●	●	●

multipoint lock for locking box

-02 Galvanized steel -04 Satin stainless steel AISI 304 -11 Zamak



**E99134-04**  
COVERING ACCESSORY  
FOR MUSHROOM  
4 PIECES

**Q99182-11**  
STRIKE  
1 PIECE

**Q99183-04**  
STRIKE  
1 PIECE

**B99154-02**  
MULTIPOINT LOCK, STAINLESS STEEL  
U-SHAPED FOREND 24x6 mm  
MINIMUM H LEAF: 1950 mm  
BACKSET 45 mm

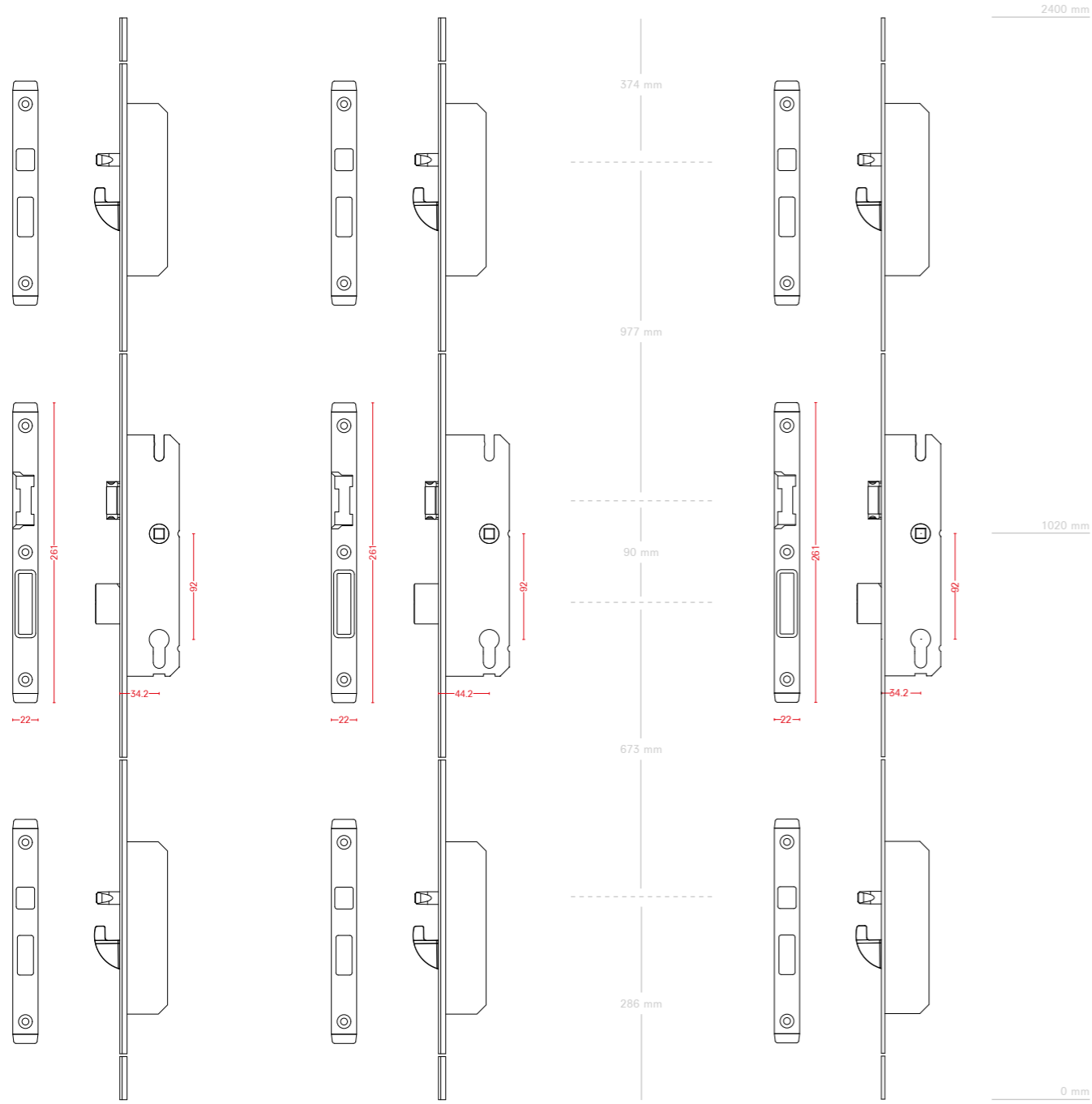
**B99155-02**  
MULTIPOINT LOCK  
STAINLESS STEEL U-SHAPED FORENDA 24x6 mm  
MINIMUM H LEAF: 1950 mm  
BACKSET 80 mm

COMPATIBILITY ●

	FerroFinestra Stucco	FerroFinestra W20	FerroFinestra W40	FerroFinestra W50 TB	FerroFinestra W75 TB galvanized	FerroFinestra W75 TB stainless	FerroFinestra W75 TB Cor-Ten	FerroFinestra W75 TB bright	BronzoFinestra B40	BronzoFinestra B75 TB	Mogs 2 mm M65 TB galvanized	Mogs 2 mm M65 TB stainless	Mogs 2 mm M65 TB Cor-Ten	Mogs 2 mm M65 TB bright	Mogs 2 mm Basic	FerroFinestra D75 TB galvanized	FerroFinestra D75 TB stainless	FerroFinestra D75 TB Cor-Ten	FerroFinestra D75 TB bright	BronzoFinestra DB75 TB
B99154-02			●	●	●	●	●	●	●	●										
B99155-02			●	●	●	●	●	●	●	●										
E99134-04					●	●	●	●	●	●										
Q99182-11			●		●	●	●	●	●	●										
Q99183-04			●																	

multipoint locks

-02 Galvanized steel



**B99158-02\***  
MULTIPOINT LOCK,  
STAINLESS STEEL U-SHAPED FOREND 24x6 mm  
MINIMUM H LEAF: 1950 mm  
BACKSET: 35 mm

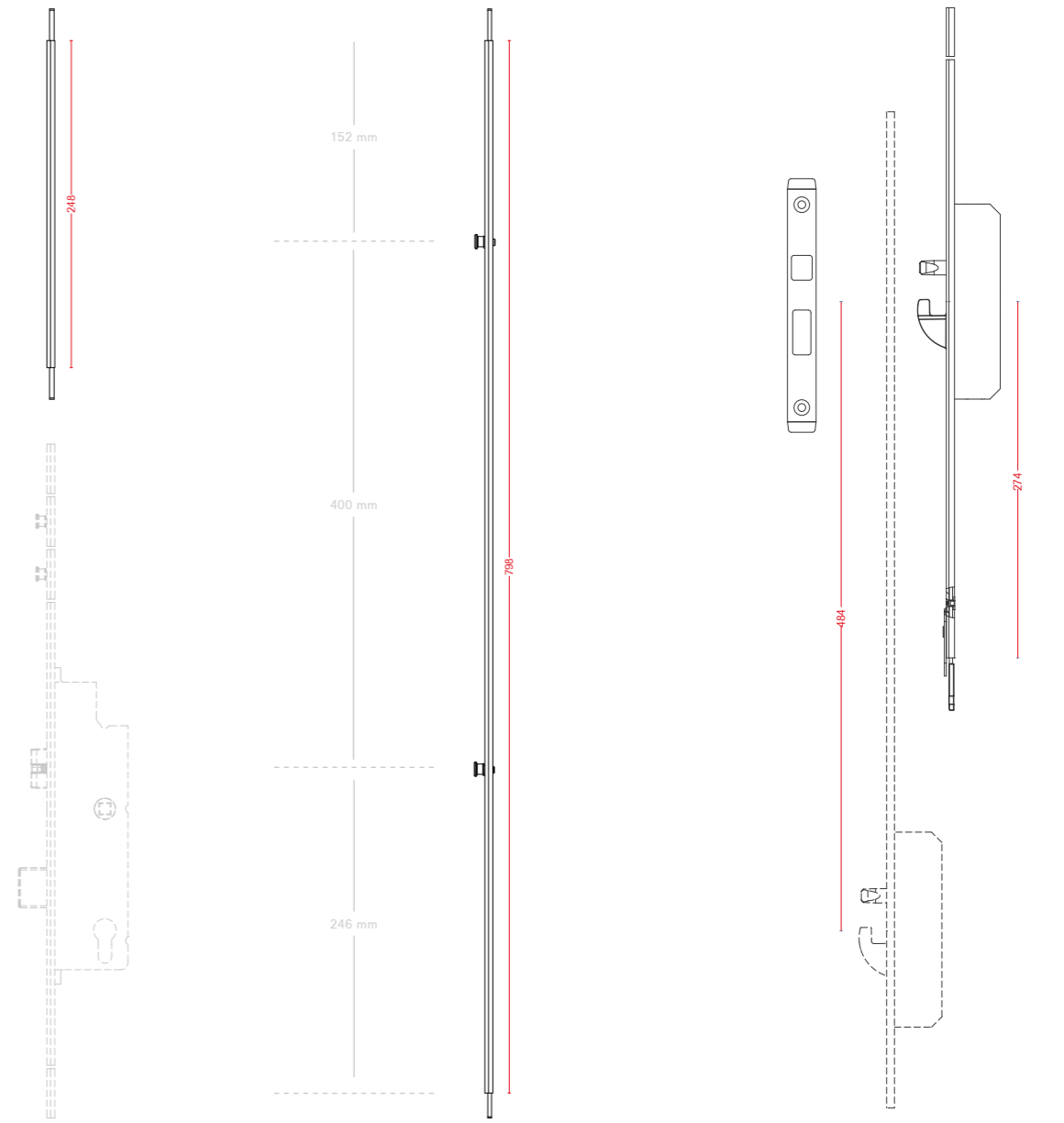
**B99159-02\***  
MULTIPOINT LOCK,  
STAINLESS STEEL U-SHAPED FOREND 24x6 mm  
MINIMUM H LEAF: 1950 mm  
BACKSET: 45 mm

**B99161-02**  
MULTIPOINT LOCK,  
STAINLESS STEEL FLAT PLATE FOREND 20x3 mm  
MINIMUM H LEAF: 1950 mm  
BACKSET: 35 mm

multipoint lock extension

-02 Galvanized steel

\*for the 2 strikes and covering accessories, please see "multipoint lock for locking box"



**B99156-02**  
EXTENSION FOR MULTIPOINT LOCK  
B99154-02 / B99155-02  
STAINLESS STEEL U-SHAPED FOREND 24x6 mm  
NO LATCH

**B99157-02\***  
EXTENSION FOR MULTIPOINT LOCK  
B99154-02 / B99155-02  
STAINLESS STEEL U-SHAPED FOREND 24x6 mm

**B99160-02**  
EXTENSION FOR MULTIPOINT LOCK  
B99158-02 / B99159-02  
STAINLESS STEEL U-SHAPED FOREND 24x6 mm

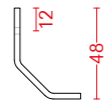
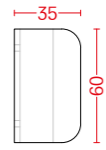
COMPATIBILITY ●

\*extendible with B99160-02

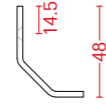
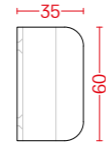
	FerroFinestra Stucco	FerroFinestra W20	FerroFinestra W40	FerroFinestra W50 TB	FerroFinestra W75 TB galvanized	FerroFinestra W75 TB stainless	FerroFinestra W75 TB Cor-Ten	FerroFinestra W75 TB bright	BronzoFinestra B40	BronzoFinestra B75 TB	Mogs 2 mm M65 TB galvanized	Mogs 2 mm M65 TB stainless	Mogs 2 mm M65 TB Cor-Ten	Mogs 2 mm M65 TB bright	Mogs 2 mm Basic	FerroFinestra D75 TB galvanized	FerroFinestra D75 TB stainless	FerroFinestra D75 TB Cor-Ten	FerroFinestra D75 TB bright	BronzoFinestra DB75 TB
B99158-02			●	●	●	●	●	●	●	●	●	●	●	●		●	●	●	●	●
B99159-02			●	●	●	●	●	●	●	●	●	●	●	●						
B99161-02											●	●	●	●						

handles

-06 Satin stainless steel AISI 316L    -12 Bright steel    -20 Satin brass



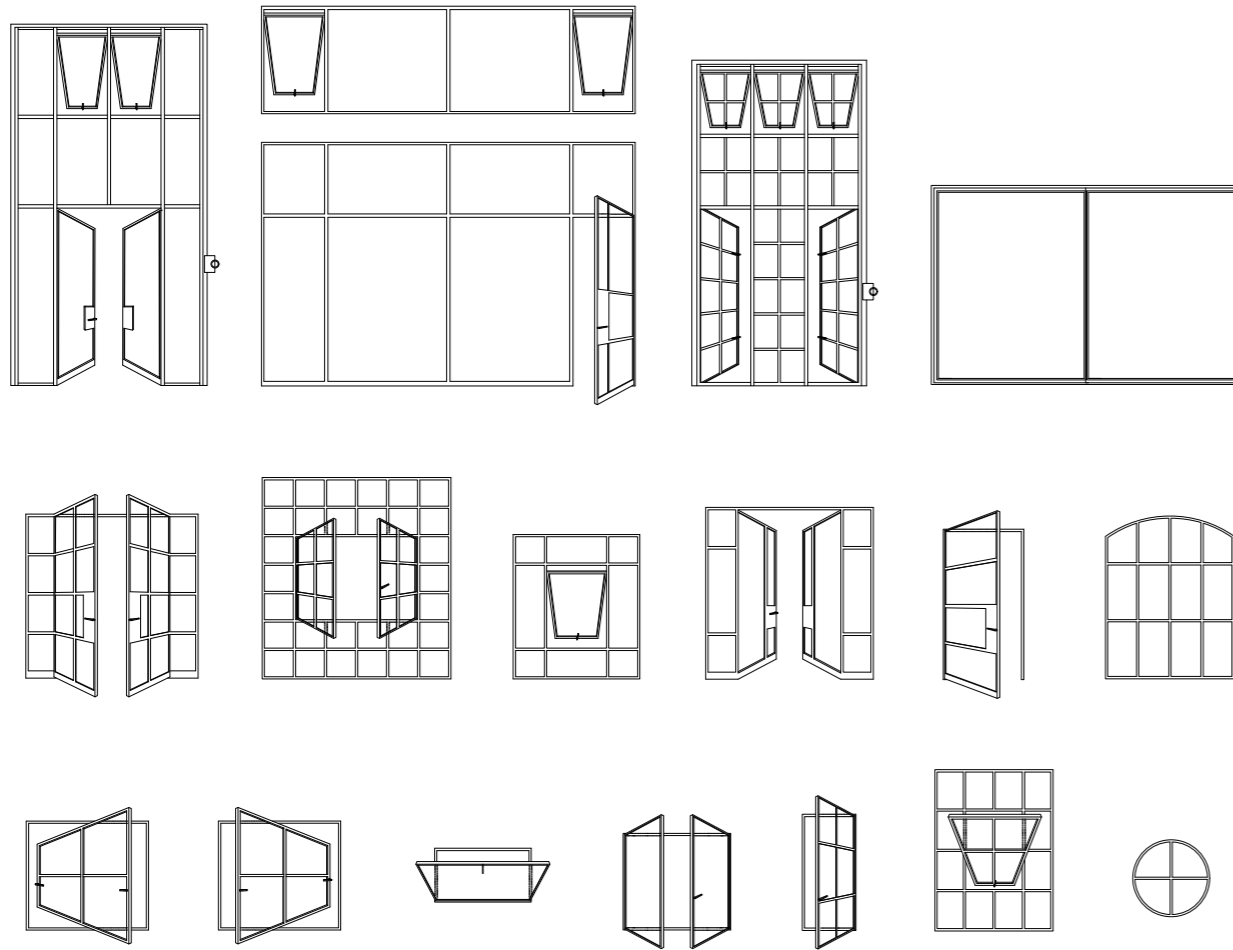
H99020-nn  
HANDLE  
OPEN OUT



H99025-nn  
HANDLE  
OPEN OUT

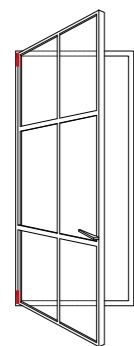
COMPATIBILITY ●

	FerroFinestra Stucco	FerroFinestra W20	FerroFinestra W40	FerroFinestra W50 TB	FerroFinestra W75 TB galvanized	FerroFinestra W75 TB stainless	FerroFinestra W75 TB Cor-Ten	FerroFinestra W75 TB bright	BronzoFinestra B40	BronzoFinestra B75 TB	Mogs 2 mm M65 TB galvanized	Mogs 2 mm M65 TB stainless	Mogs 2 mm M65 TB Cor-Ten	Mogs 2 mm M65 TB bright	Mogs 2 mm Basic	FerroFinestra D75 TB galvanized	FerroFinestra D75 TB stainless	FerroFinestra D75 TB Cor-Ten	FerroFinestra D75 TB bright	BronzoFinestra DB75 TB	
H99020-06					●	●		●													
H99020-12					●		●	●													
H99020-20										●											
H99025-06												●									
H99025-12			●	●							●	●	●	●							
H99025-20									●												



**OPENING SCHEME ACCORDING TO DIN**

A window or a door is defined as “right hand” or “left hand” when, viewed from the opening side, the hinges are respectively on the right or on the left.



LEFT OPENING



RIGHT OPENING

**AVVERTENZE**

Tutte le informazioni contenute in questa documentazione sono riportate al meglio delle nostre conoscenze e capacità. Tuttavia, decliniamo ogni responsabilità per l'uso dei dati, suggerimenti o esempi di applicazione, come pure per errori tipografici o riproduzioni in scala. Dettagli e soluzioni qui contenute devono essere verificate con riferimento alle caratteristiche meccaniche e funzionali e alla fattibilità tecnica, nonché alla conformità statica, sulla base della normativa vigente, sollevando le società da qualsiasi responsabilità di qualsiasi tipo. Il Produttore si assume la responsabilità in relazione alla conformità tecnica del prodotto derivante dalla lavorazione e dall'assemblaggio del sistema e ne garantisce l'idoneità ad essere immesso sul mercato in conformità e nel rispetto della normativa vigente. Ci riserviamo il diritto di apportare modifiche tecniche in qualsiasi momento, senza preavviso. L'evasione dell'ordine è condizionata dall'effettiva disponibilità dei prodotti al momento dell'ordine stesso. Nessuna parte di questo catalogo può essere copiata, riprodotta, pubblicata, distribuita o riutilizzata con qualsiasi mezzo senza il nostro previo permesso scritto. Per tutto il resto valgono le Condizioni Generali di Vendita, scaricabili sul sito: [www.mogs.it](http://www.mogs.it)

**DISCLAIMER**

All the information contained in this documentation is given to the best of our knowledge and ability. However, we decline all responsibility for the use of any suggestions, examples of applications and/or data, or for typographical errors or scale reproductions. Details and solutions contained therein must be verified with reference to mechanical, functional and technical feasibility, as well as static compliance, on the basis of the regulations in force, releasing the companies from any liability of any kind. The Manufacturer is responsible for the technical performance characteristics of the product resulting from the manufacturing and assembly of the system, and for its suitability to be placed on the market in accordance with and in compliance with all current law. We reserve the right to make technical changes without prior warning. All items in this catalogue are subject to availability at the time of order. No part of this catalogue may be reproduced, published, distributed, reused by any means whatsoever, or copied, without our prior written permission. For all the rest please refer to our General Terms and Conditions, available at: [www.ottostumm.com](http://www.ottostumm.com)





OTTOSTUMM | **mogs**

**OTTOSTUMM SA**  
Via Baragge, 2 - CH 6855 Stabio  
T +41 (0)91 6417700 F +41 (0)91 6417709  
[www.ottostumm.com](http://www.ottostumm.com)

Release: June 2021

OFFICIAL PARTNER OF OTTOSTUMM | **mogs**

# METALFORM

MASTERS OF METAL

**UNITED KINGDOM**

**METALFORM**

**NORWAYMETAL LTD**

53 Chelsea Manor Street

London, SW3 5RZ

**SALES@METALFORM.UK**

**+44 20 81298814**

**GERMANY**

**METALFORM GMBH**

Carl-Zeiss-Ring 15A

85737 Ismaning

**SALES@METALFORMGROUP.DE**

**+49 17663630406**

**NORWAY**

**METALFORM AS**

Brochmannsveien 2

1950 Rømskog

**SALG@METALFORM.NO**

**+47 401 62 446**

**METALFORMGROUP**

**SALES@METALFORMGROUP.COM**

