

METALFORM

METALFORM

rp
technik
profile systems



Add-on curtain wall systems

RP-tec 50-1 / 50-1 HA / 50-1 HA plus,
RP-tec 55-1 / 55-1 HA / 55-1 HA plus,
RP-tec 60-1 / 60-1 HA, RP-tec 80-1 / 80-1 HA



Multilateral system:
unique,
adaptable,
flexible

METALFORM



RP-tec 50-1
 RP-tec 50-1 HA
 RP-tec 50-1 HA plus

Profile overview



Curtain wall

RP-tec 50-1, RP-tec 50-1 HA, RP-tec 50-1 HA plus



RP 92 706 0*
 RP 92 706 2*



RP 92 706 1*

Stainless steel



RP 92 780 4*



RP 92 781 4*

Aluminium



RP 92 753 1*



RP 92 786 1*



RP 92 787 1*



RP 92 788 1*



RP 92 754 1*



RP 92 770 1*



RP 92 771 1*



RP 92 783 1*



RP 92 780 1*



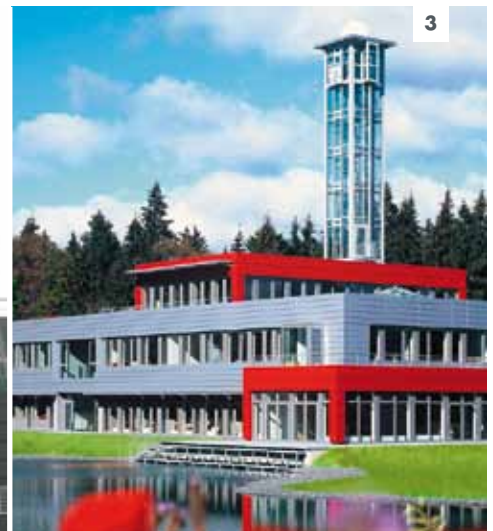
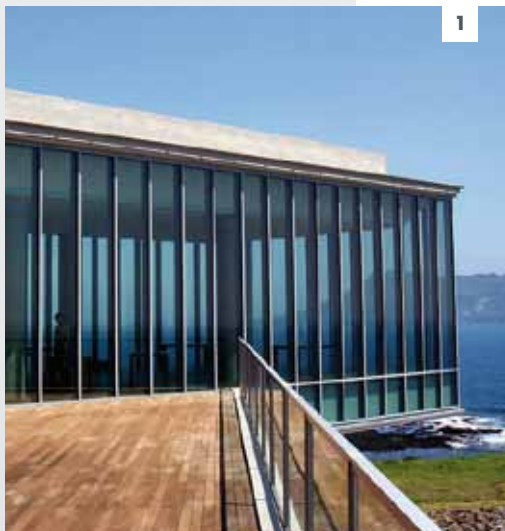
RP 92 781 1*



RP 92 785 1*

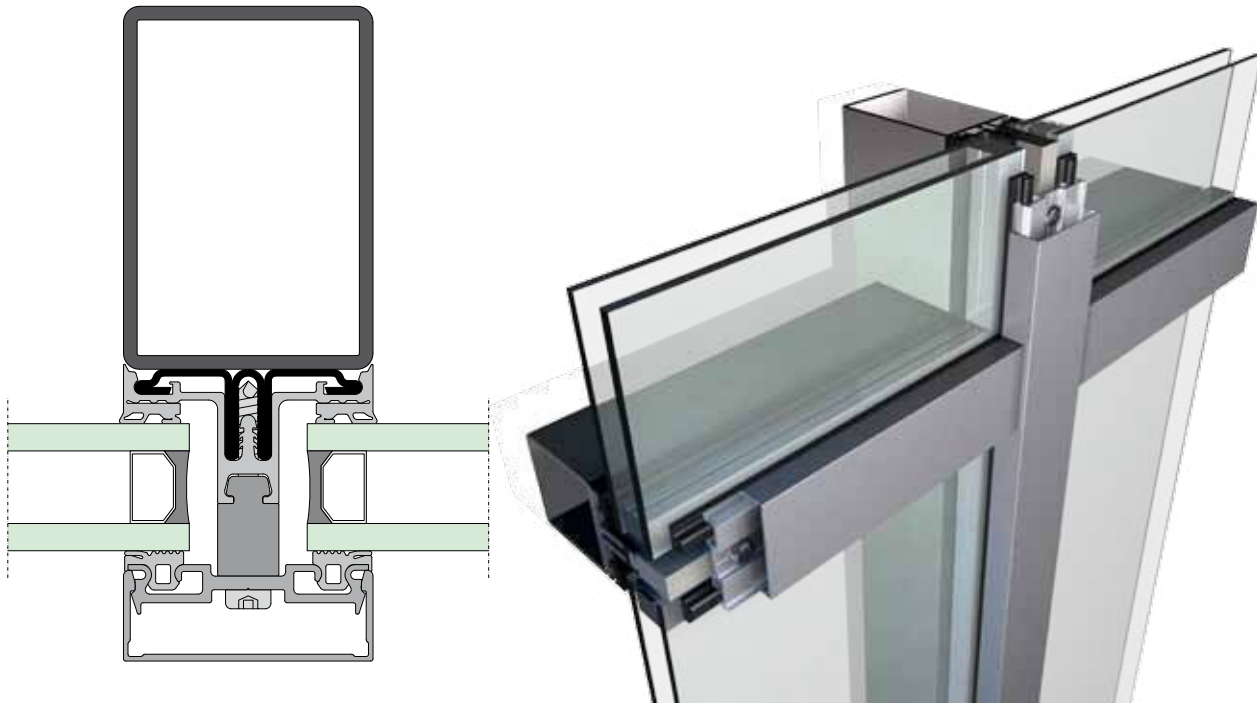
*1 = steel, bright/rolled
 1 = steel, galvanized
 2 = steel, galvanized
 3 = stainless steel 316 (1.4401), 2B
 4 = stainless steel 316 (1.4401),
 limited, grain 400, coated
 - - - - - outer surface

- 1 Jeju Phoenix, North Korea
- 2 Oceanic Life Theme Park, North Korea
- 3 Pulverhaus Sympatec, Claustal-Zellerfeld, Germany

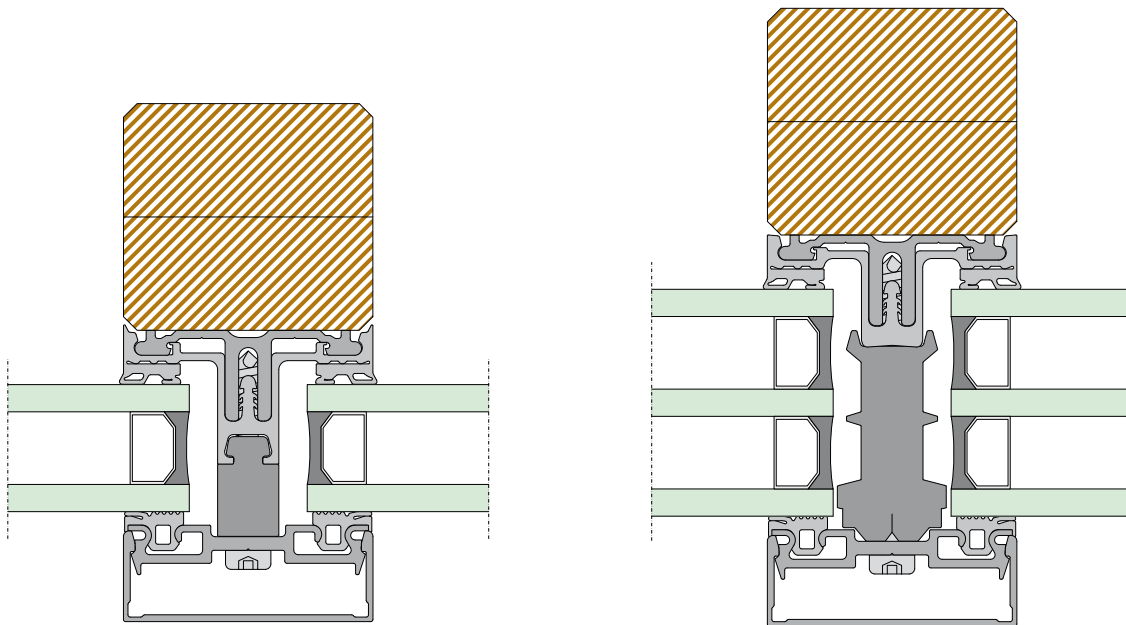


METALFORM

RP-tec 50-1



RP-tec 50-1 HA, RP-tec 50-1 HA plus



A BASIC STRUCTURE THAT RESPONDS TO ALL FUNCTIONAL REQUIREMENTS

System:

- Wood-aluminium and steel support structure
- Sight lines of 50, 55, 60 and 80 mm
- Thermal protection up to $U_f \geq 0.6 \text{ W}/(\text{m}^2\text{K})$

Architecture:

- vertical curtain walls
- Polygonal curtain walls up to max. 20° and 30° internal and external corners, depending on infill thickness and sight line.

METALFORM



RP-tec 55-1
 RP-tec 55-1 HA
 RP-tec 55-1 HA plus



Curtain wall

Profile overview

RP-tec 55-1, RP-tec 55-1 HA, RP-tec 55-1 HA plus



RP 92 705 0*
 RP 92 705 2*



RP 92 705 1*

Stainless steel



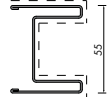
RP 92 750 3*



RP 92 760 4*



RP 92 761 4*



RP 92 761 4*

Aluminium



RP 92 755 1*



RP 92 757 1*



RP 92 758 1*



RP 92 759 1*



RP 92 756 1*



RP 92 770 1*



RP 92 771 1*



RP 92 784 1*



RP 92 760 1*



RP 92 761 1*



RP 92 768 1*

*1) 0 = steel, bright-rolled
 1 = steel, galvanized
 2 = stainless steel 316 (1.4401), 2B
 3 = stainless steel 316 (1.4401),
 4 = stainless steel 316 (1.4401),
 finished, grain 400, coated
 - - - - - = outer surface

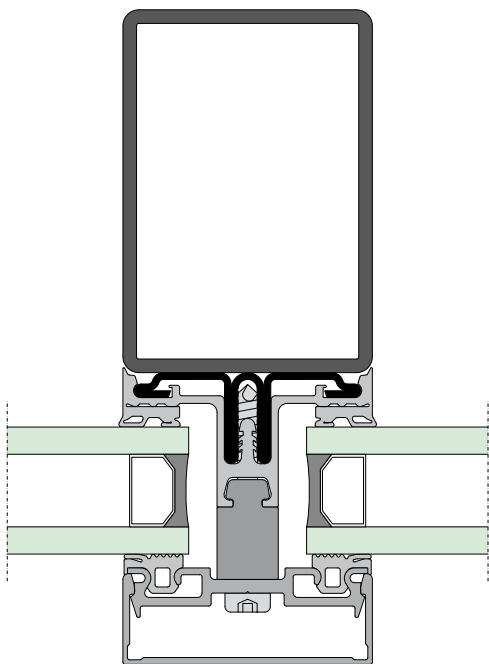
1
 2

City Nord, Hamburg,
 Germany;
 Processor: Raudies Stahl- und Me-
 tallbau GmbH & Co.KG, Nordstedt;
 Architects Kai Müller Architekten BDA,
 Hamburg

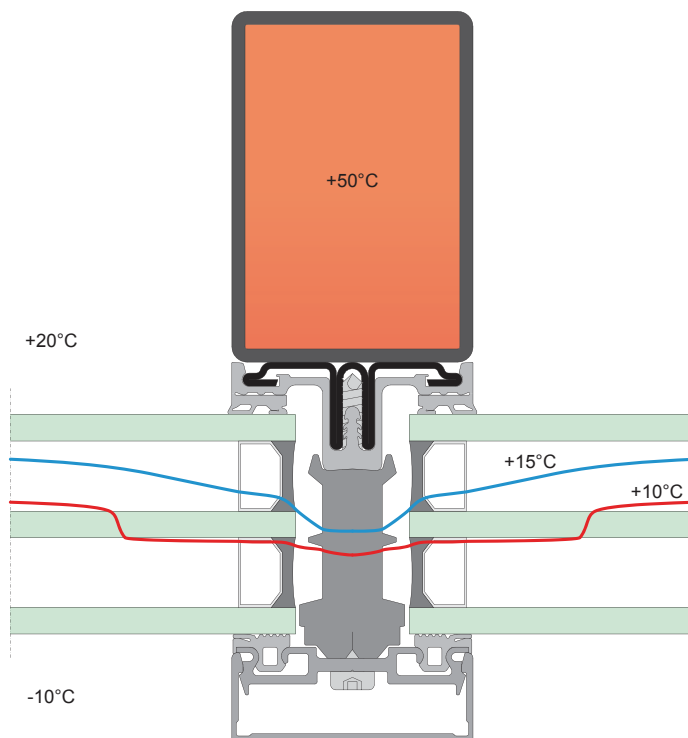


RP-tec 55, RP-tec 55-1

METALFORM



Heated curtain wall
RP-tec 50-1 plus, RP-tec 55-1 plus



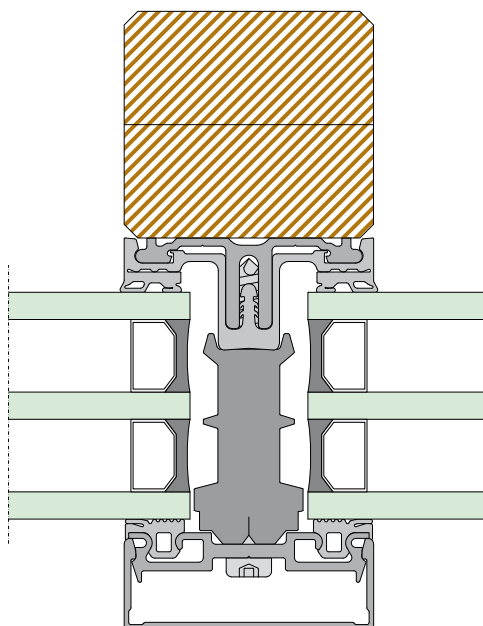
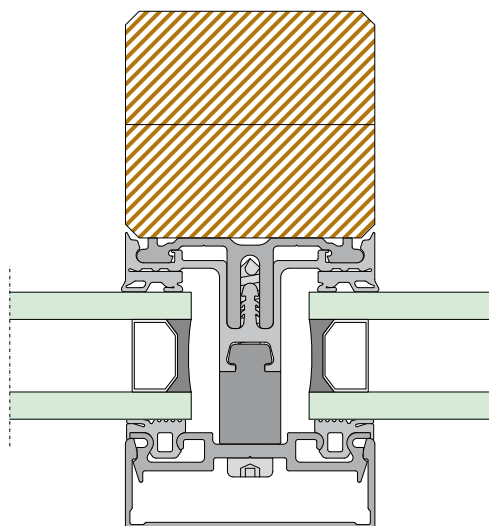
Basic principle:

- Hot water is circulated through interior profiles
- Water temperatures in general 40-50 °C

Benefits:

- continuously heated external curtain wall around the room
- no cold-air wasted on glazed surfaces, ensuring enhanced comfort
- No need for radiators, providing greater visual appeal and more space
- also suitable for basic cooling in summer

RP-tec 55-1 HA, RP-tec 55-1 HA plus



Sloped glazing

- in standard cases, up to 5° base slope to the horizontal (tested 0°)
- smaller base slope to be specified in this particular case
- Room structures and conservatories
- All of RP-tec's curtain wall systems may be combined with one another
- A basic structure to respond to all functional requirements



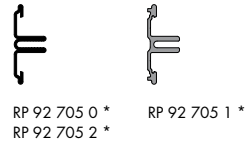
METALFORM

RP-tec 60-1 RP-tec 60-1 HA

Profile overview

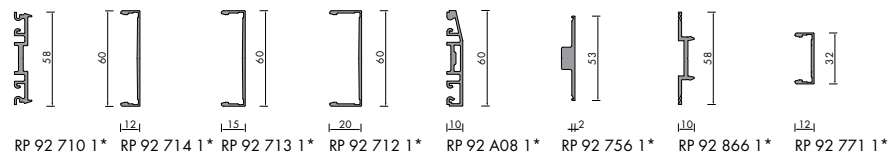


RP-tec 60-1, RP-tec 60-1 HA



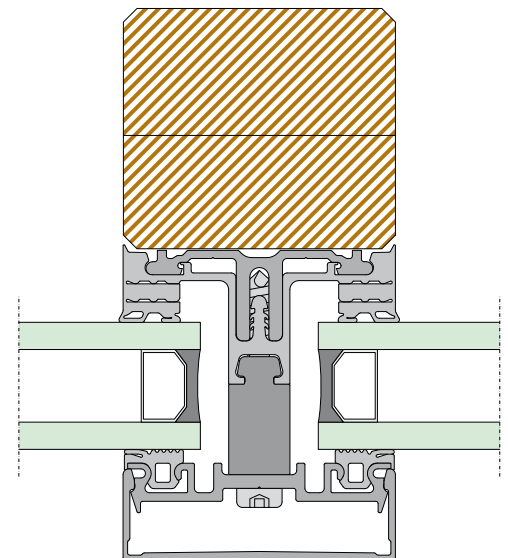
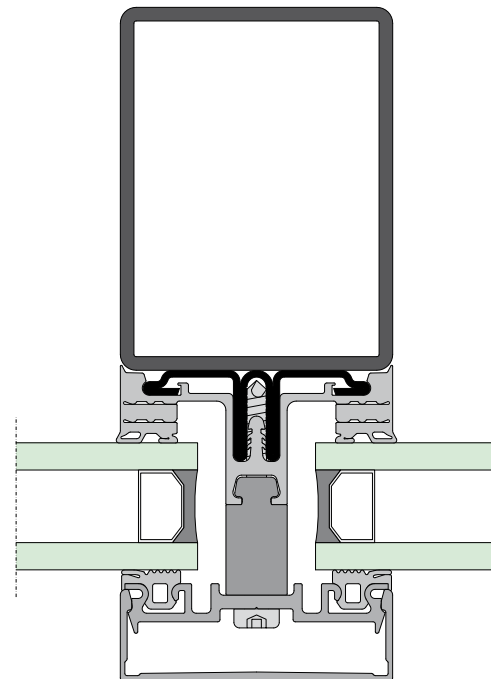
*1 = steel, light-colored
1 = aluminium
2 = steel, galvanized

Aluminium

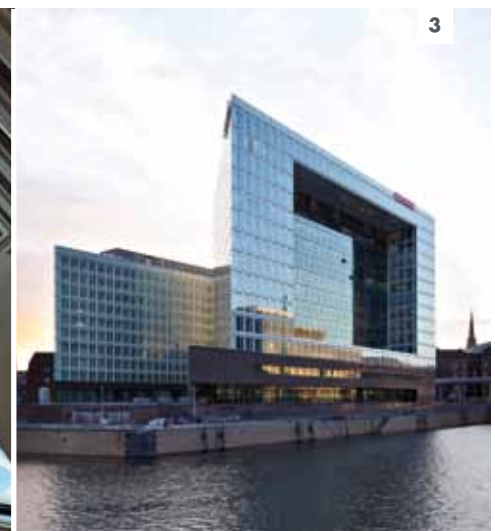
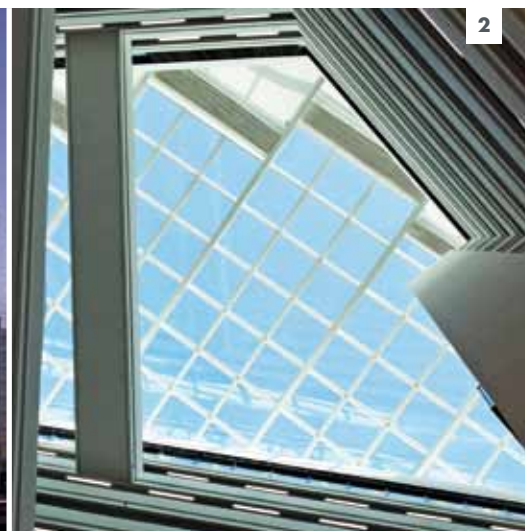
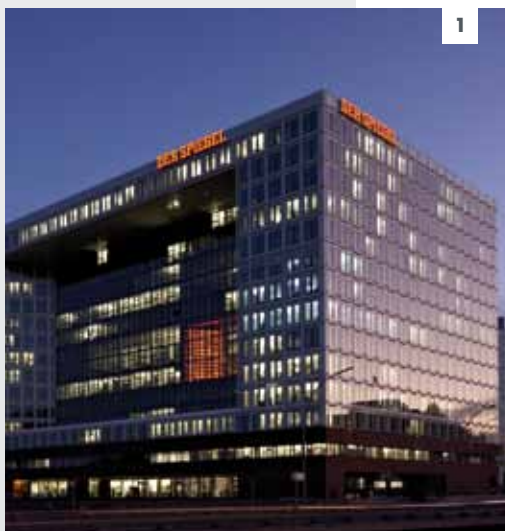


RP-tec 60-1

RP-tec 60-1 HA



1 Spiegel headquarter,
2 Hamburg,
3 Germany





RP-tec 80-1 RP-tec 80-1 HA

Profile overview



RP-tec 80-1, RP-tec 80-1 HA



RP 92 705 0*
RP 92 705 2*



RP 92 705 1*

Aluminium



RP 92 720 1*



RP 92 721 1*



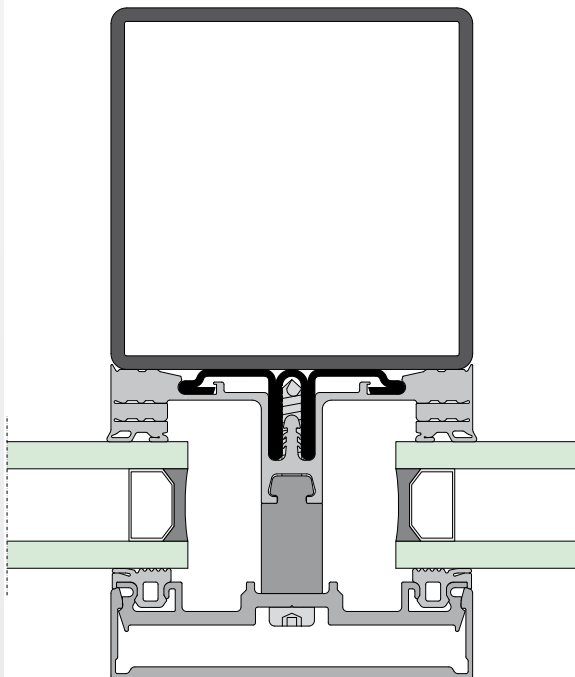
RP 92 726 1*



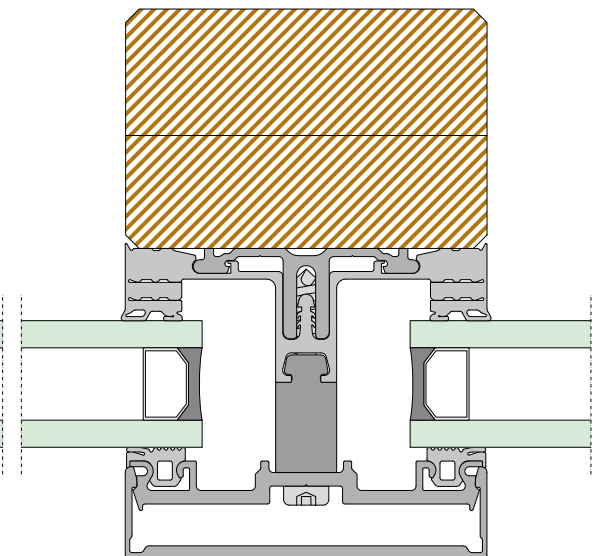
RP 92 725 1*

*) 0 = steel, bright/rolled
1 = aluminium
2 = steel, galvanized

RP-tec 80-1



RP-tec 80-1 HA



Types of connection

Base profile on a base construction

METHODS OF CONNECTION FOR STEEL AND ALUMINIUM PROFILES

Hot-dip coated steel basic profile

- slot hole welding
- MAG hole spot welding
- Screwing:
 - Bi-Met screws: Wall thickness of the support profile: 2.5 mm – 8 mm
 - Tapite screw: Wall thickness > 3 mm
- Direct Fastening System, company: Hilti

Cold-rolled steel basic profile (for additional unit galvanizing)

- slot hole welding (with 1 mm between the basic profile and support profile)
- MAG hole spot welding

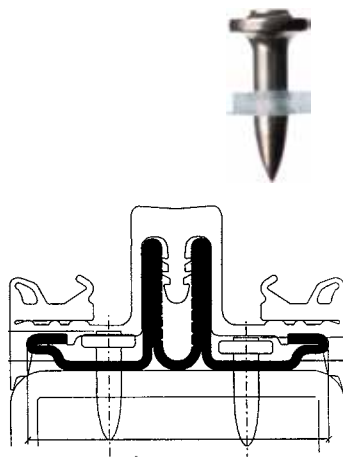
Aluminium base profile

- Screw connection
 - Bi-Met screw: Wall thickness of the support profile 2.5 mm – 8 mm
 - Tapite screw: Wall thickness > 3 mm
- Direct Fastening System, company: Hilti

HILTI DIRECT FASTENING SYSTEM

Approval:

- Z-14.4-456 (DIBt Berlin) for wall thicknesses of 5–12 mm
- Inspection approval issued by the University of Stuttgart for wall thicknesses of 4 mm

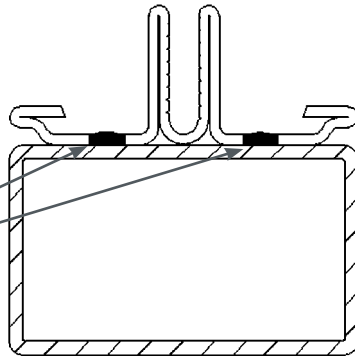
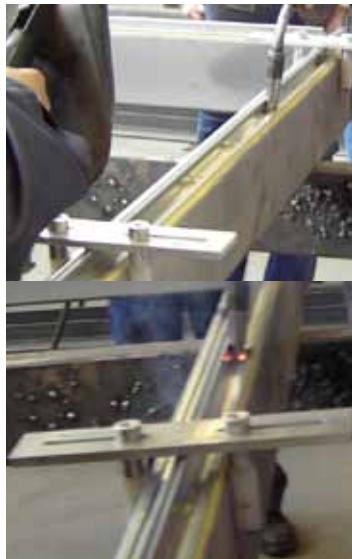


METALFORM

MAG HOLE SPOT WELDING

New welding method

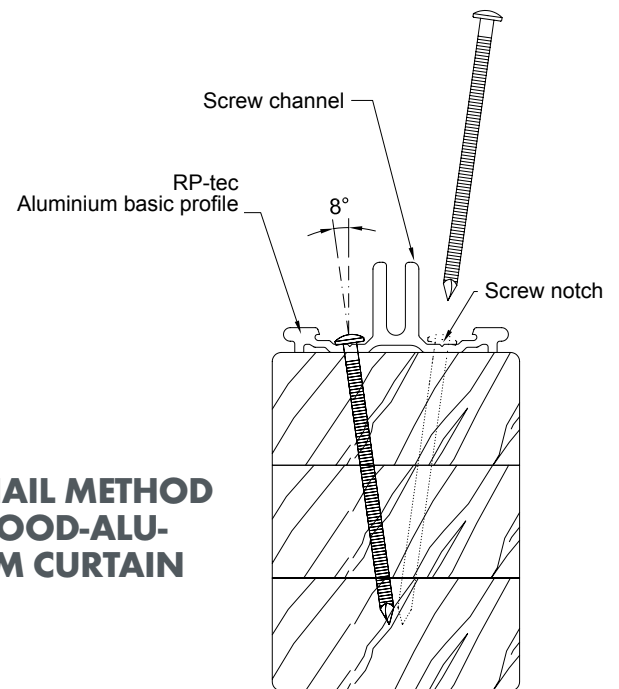
- manual arc-welding with inert gas
- spot welding
 - lower demands on energy
 - short welding time
- no preparation of welded points necessary
- safe, automated process
- welding wire RA 97 2000 must be used
- also suited to subsequent unit galvanization (distance of 1-2 mm)
- general construction-authority approval: Z-14.4-554 (DIBt Berlin)
- utility model for RP-tec inserted
- procedural instructions are to be adhered to



Base profile on a base construction spot welded

NEW NAIL METHOD FOR WOOD-ALUMINIUM CURTAIN WALLS

- stainless steel groove nail (RA 729469)
- compressed-air (approx. 8 bar)
- fastening in various wood varieties
- also suitable for wood which has already received its final coating
- utility patented nozzle (placement of nails at an angular position)
- utility model for RP-tec inserted
- unbeatably high levels of output
- general construction-authority approval has been applied for



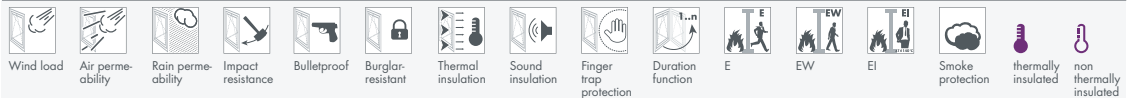
METALFORM

A LONG-STANDING AND SUCCESSFUL PARTNERSHIP

Close partnership with customers, translated into practical, day-to-day cooperation is a solid foundation for success. RP Technik is your unwavering partner for the development of steel profiles. From architects to planners, our customers benefit from a plethora of skills offered by a group of specialists working for a company which is both an expert in its field and active on the world stage. Insider knowledge of the industry and the full panoply of experience garnered from years of developing steel profiles mean partners of RP Technik have a clear advantage on the world markets, our unrelenting focus being on personal safety and building protection.



Profile systems	Curtain walls	Addon curtain wall system	Doors	Partition walls	Windows	Sliding elements	Evidence	National requirements, directives and building regulations specific to the various Federal States must be observed while taking into account evidence garnered from tests and any approvals related thereto.
RP-ISO-hermetic 45N	●							
RP-ISO-hermetic 60N	●							
RP-tec 55 (FERRO-WICTEC 55 E)	●							
RP MULTITOP 50/60 Outlet	●							
RP-tec 50-1 (FERRO-WICTEC 50-1 E)	●							
RP-tec 55-1 (FERRO-WICTEC 55-1 E)	●							
RP-tec 50-1 HA (FWT 50-1 HA E)	●							
RP-tec 55-1 HA (FWT 55-1 HA E)	●							
RP-tec 50-1 HA plus (FWT 50-1 HA E plus)	●							
RP-tec 55-1 HA plus (FWT 55-1 HA E plus)	●							
RP-tec 60-1 (FERRO-WICTEC 60-1 E)	●							
RP-tec 60-1 HA (FWT 60-1 HA E)	●							
RP-tec 80-1 (FERRO-WICTEC 80-1 E)	●							
RP-tec 80-1 HA (FWT 80-1 HA E)	●							
RP-ISO-hermetic 70 (FERRO-WICSTYLE 70)		●	●					
RP-ISO-hermetic 70 (FERRO-WICLINE 70)				●				
RP-ISO-hermetic 70 plus (FERRO-WICSTYLE 70 plus)		●	●					
RP-ISO-hermetic 70 plus (FERRO-WICLINE 70 plus)				●				
RP-hermetic FINELINE			●	●				
RP-hermetic 40			●	●				
RP-Design 50			●	●				
RP-hermetic 50			●	●				
RP-hermetic 55N (FERRO-WICSTYLE 55N)			●	●				
RP-hermetic 55N (FERRO-WICLINE 55N)				●				
RP-hermetic 55N FP (FERRO-WICSTYLE 55N FP)			●	●				
RP-hermetic 75			●	●				
RP-hermetic 75 FB			●	●				
RP-ISO-hermetic EI30			●	●				
RP-ISO-hermetic EI60			●	●				
RP-ISO-hermetic EI90			●	●				
RP-ISO-hermetic EI120			●	●				
RP-ISO-hermetic 70 FP (FERRO-WICSTYLE 70 FP)			●	●				



METALFORM

MASTERS OF METAL

UNITED KINGDOM

METALFORM

NORWAYMETAL LTD

53 Chelsea Manor Street

London, SW3 5RZ

SALES@METALFORM.UK

+44 20 81298814

GERMANY

METALFORM GMBH

Carl-Zeiss-Ring 15A

85737 Ismaning

SALES@METALFORMGROUP.DE

+49 17663630406

NORWAY

METALFORM AS

Brochmannsveien 2

1950 Rømskog

SALG@METALFORM.NO

+47 401 62 446

METALFORMGROUP

SALES@METALFORMGROUP.COM