

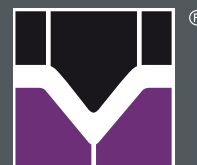
METALFORM

Profile design for innovative architecture

RP-ISO-FINELINE | System for windows, doors and narrow profile
partition walls with excellent thermal insulation properties



rp 
technik
profile systems



METALFORM



METAL

An innovative product, developed to the latest standards

With **RP-ISO-FINELINE**, design your own unique living spaces and create an authentic, historically influenced ambience, paired with timeless elegance and longevity.

Experience the urban charm of **loft living** and recreate their historic **industrial character**. Create a modern take on **Bauhaus style** or revive the **classical elegance** of historical buildings. The slender and narrow steel profiles are ideally suited for use in listed buildings or those worth preserving. Bring your ideas to life – **RP-ISO-FINELINE** makes it possible for you to fashion your own **unique living environments**.





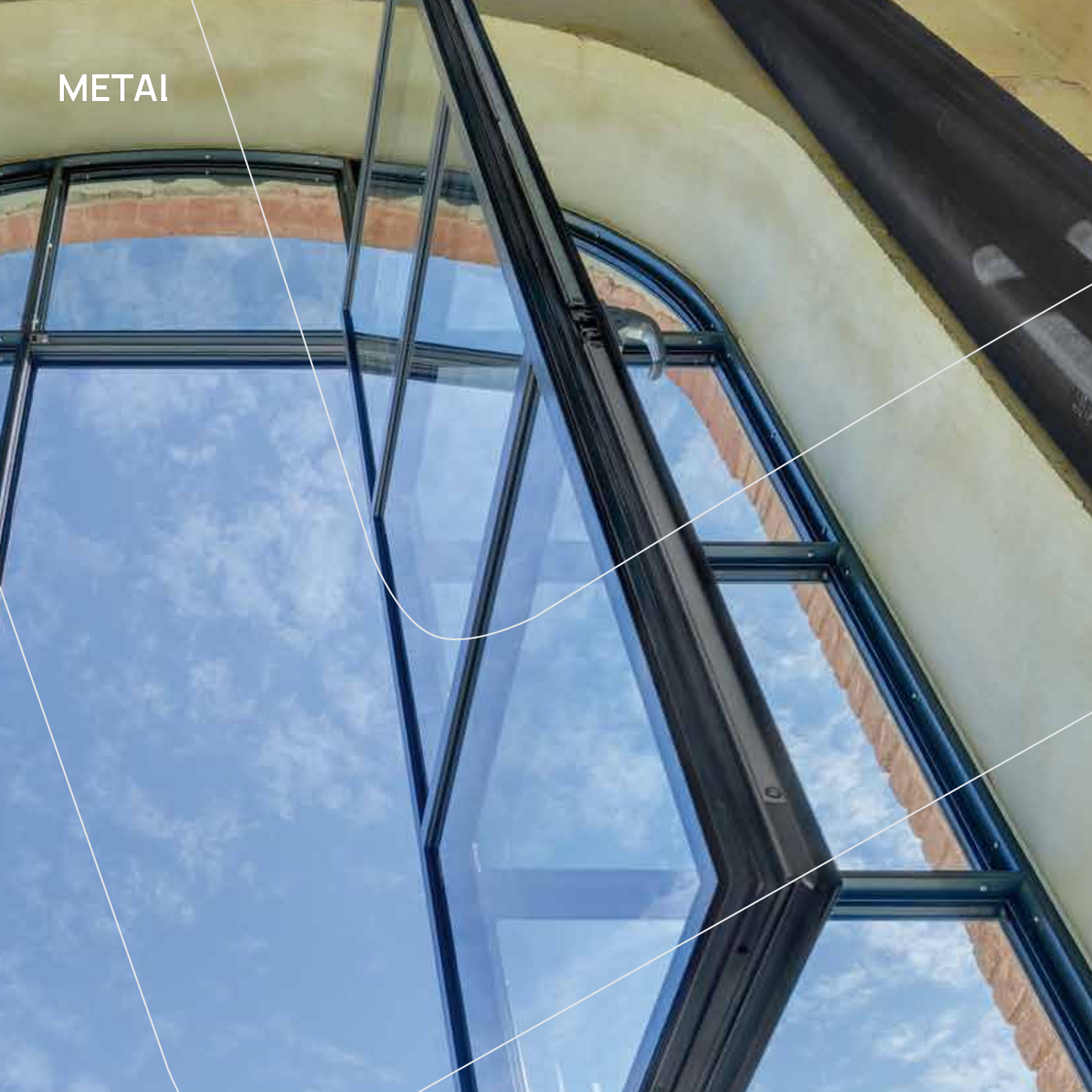
METALFORM



A feeling for the meticulous adaptation of historical quality: from Wilhelminian-style villas to industrial complexes.



METAL





METALFORM



When you think "loft",
think "RP Technik".



METAL



DESIGN FREEDOM

Release your ideas and creativity with nearly unlimited freedom. In design, steel offers the largest possible span widths with ideal stress values.

TRANSPARENCY

Extremely slim steel profiles with minimal elevation widths allow for transparency, creating light-flooded living spaces while providing comfortable room temperatures.

VERSATILITY

The infinite versatility of steel means it can be used in both traditional and contemporary architecture – outdoors or inside the building.

DESIGN

The appealing appearance of steel as a material makes it possible to create a range spanning from elegant and classical styles to modern, stylish ones.



RP-ISO-FINELINE



- Very narrow elevation widths
- Special geometries / radii of 300 mm available
- Building width 70 mm

METAL

Advantages in focus

The narrowest profiles
with excellent thermal
insulation properties

Technical properties:

- Insulation U_w value up to 0.82
- Sound insulation
- Up to class E750 water tightness
- Up to class 4 air permeability
- Up to class C5 resistance to wind load
- Solution for invisible drainage
- Longevity with strip-galvanised metal



METALFORM





RP-ISO-FINELINE brings
together art and craft,
from classical to
Bauhaus styles.

METALFORM



METAL



METALFORM

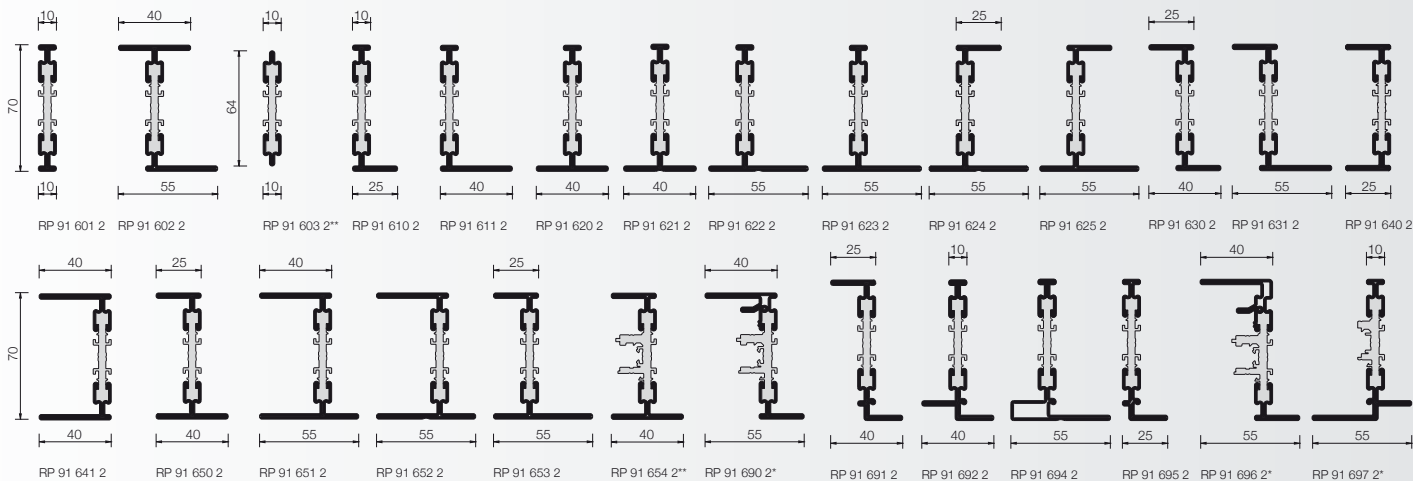


Timeless,
classical elegance —
forever
unforgettable.



METAL





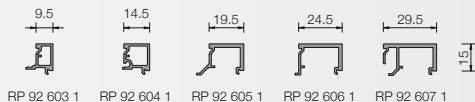
* = available from the second quarter of 2019

** = available from the second quarter of 2019

End digit 0 = steel S235JR rolled, 6,000 mm
 End digit 1 = aluminium EN AW 6060, state T66, 6,000 mm
 End digit 2 = steel S280 GD continuously hot-dip metal coated, 6,000 mm
 End digit 3 = stainless steel 1.4401 (316), surface source material 2B, 6,000 mm
 End digit 4 = stainless steel 1.4401 (316), outer surfaces ground, grain 400, foil-coated, 6,000 mm

Standard glazing beads (flush surface)

Moulded glazing beads

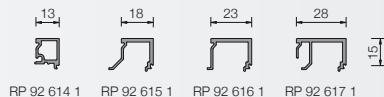


) upon request

Glazing beads (slanting)

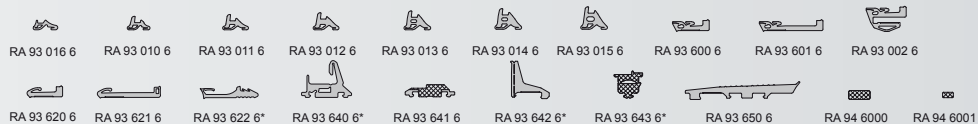
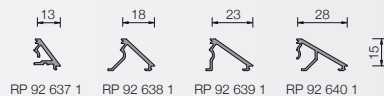
Angle glazing beads

Accessories



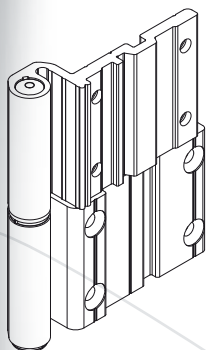
Glazing beads (offset surface)

Seals

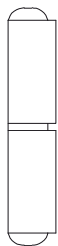


Window hinges

RF 1960010



RX 331368
RX 326542



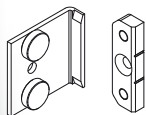
RX 331384
RX 326569



Accessories

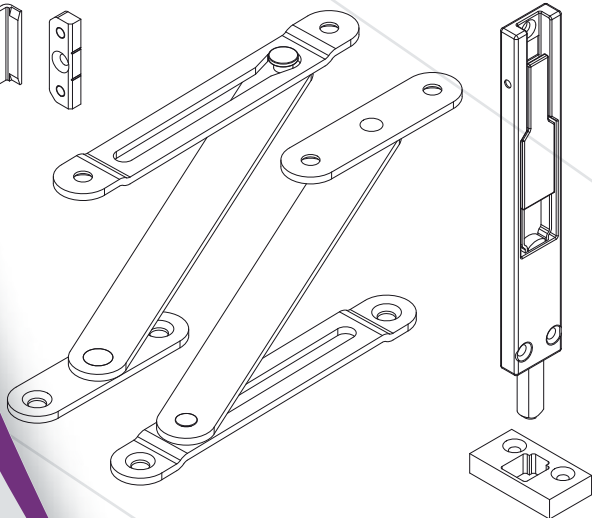
Additional lock

RF 9190020-51N



Catch retainer arm and detachable tilt
retainer arm for cleaning

RF 9140020-51N



Secondary leaf locking

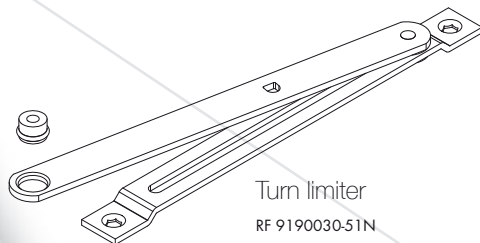
RF 9190010-51N



RA 95 6000



2 645 1
2 645 57

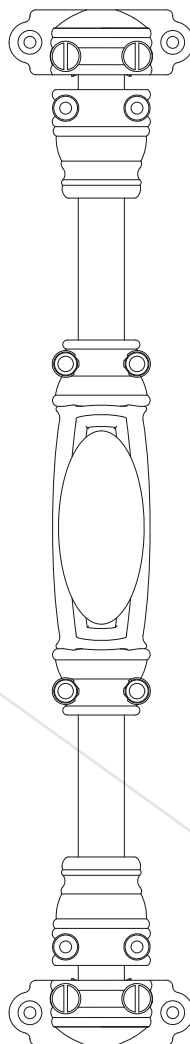


Turn limiter

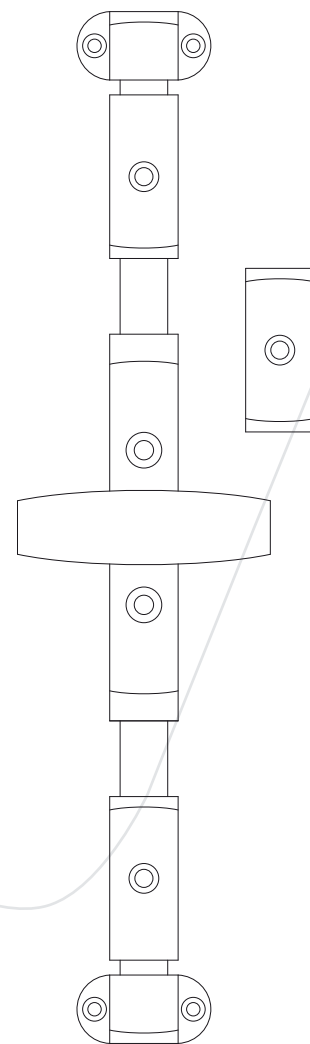
RF 9190030-51N

Overlying fittings

193 360



915 140

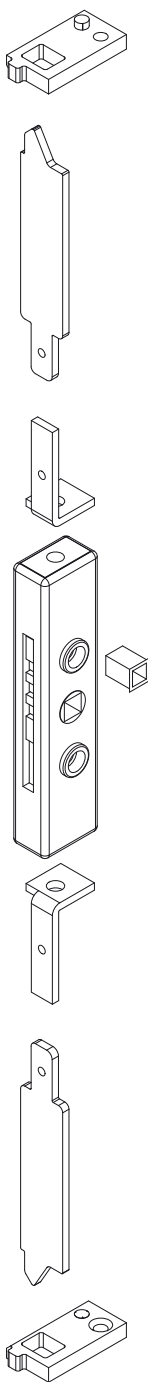


METAL

Concealed fittings

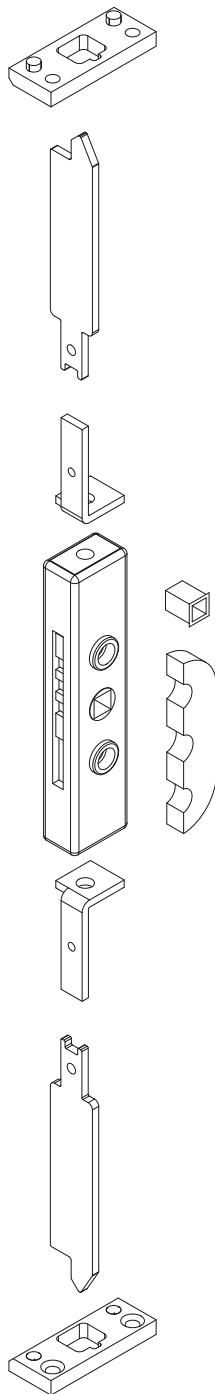
Rotating sash

RF 9120010-51N
RF 9120020-51N



Double vent window

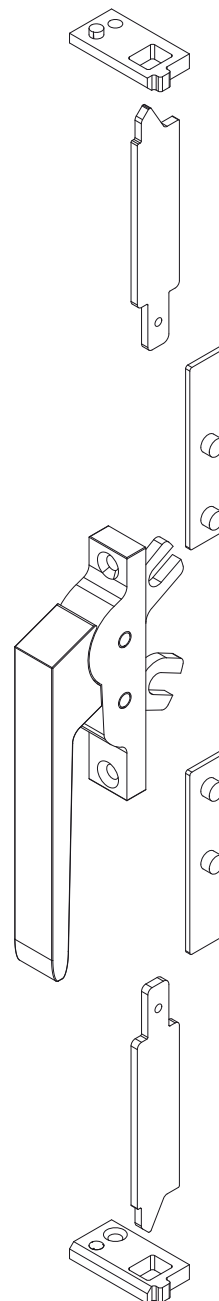
RF 9130010-51N



Lever fitting

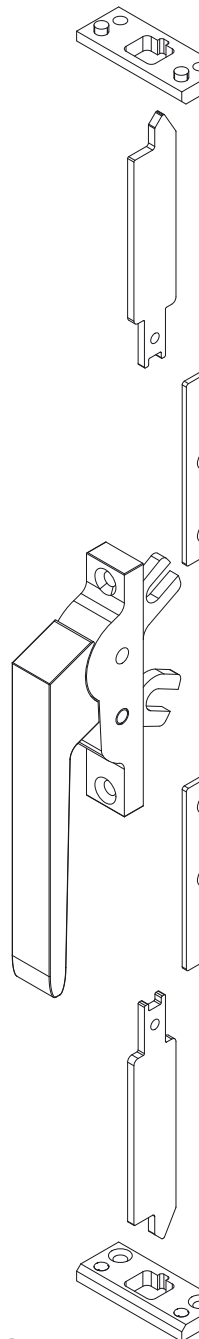
Rotating sash

RF 9120040-51N

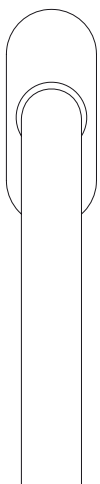


Double vent window

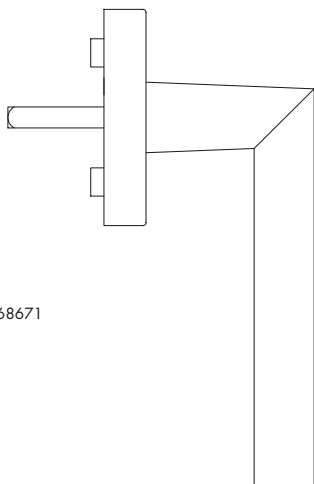
RF 9130040-51N



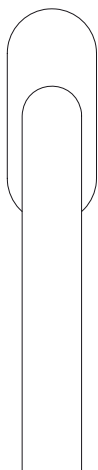
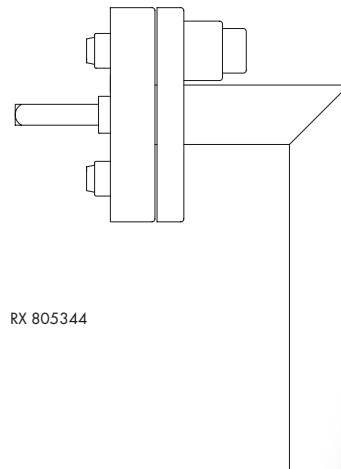
METALFORM



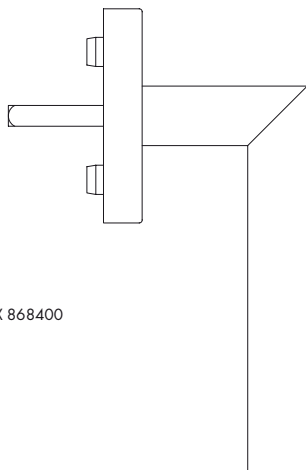
RX 868671



RX 805344

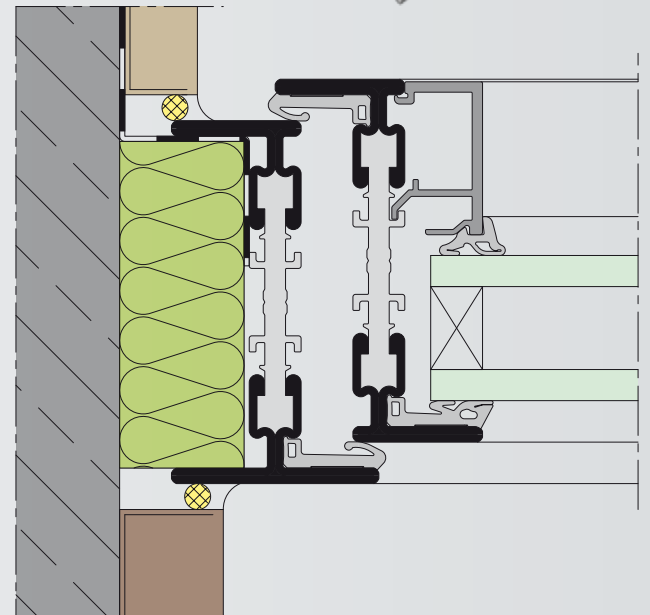
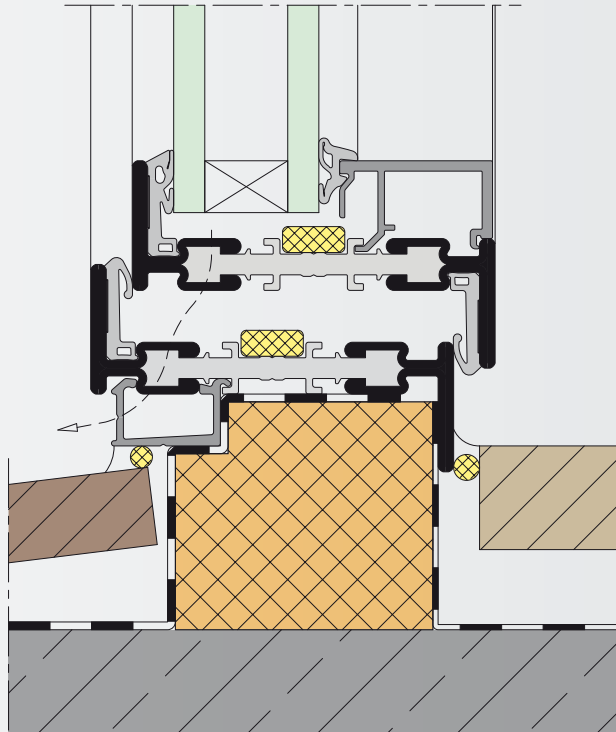
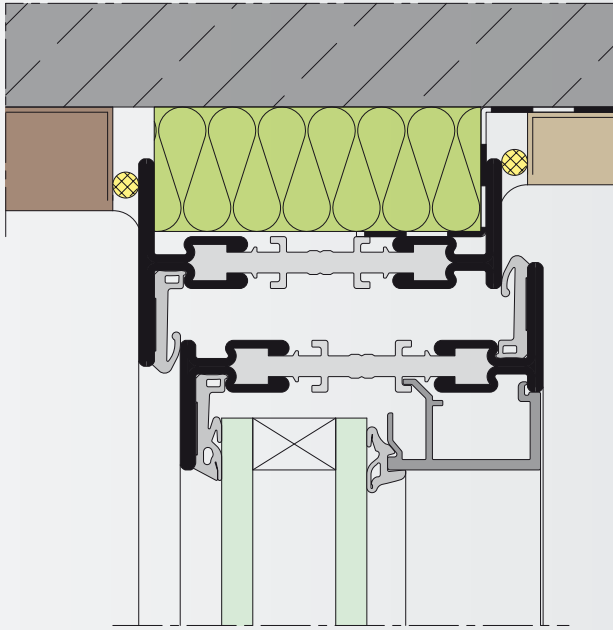


RX 868400



Junctions

METALFORM



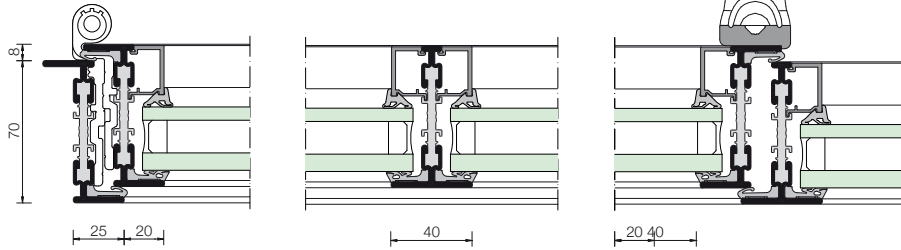
The building junctions pictured are merely examples and must be adapted by the processor to the actual building conditions encountered on site.

METAL

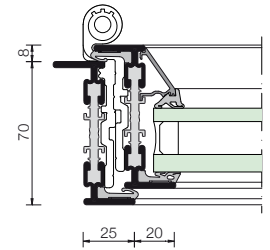


METALFORM

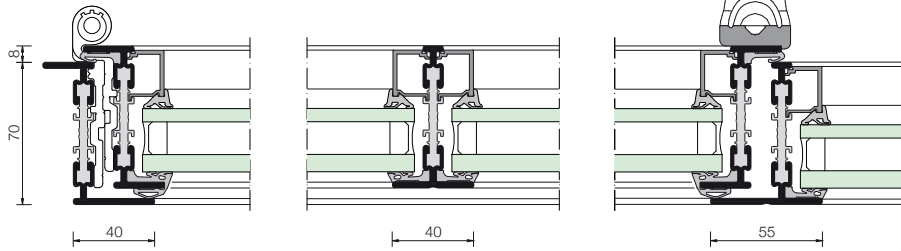
Section A-B
Alternative with standard glazing bead



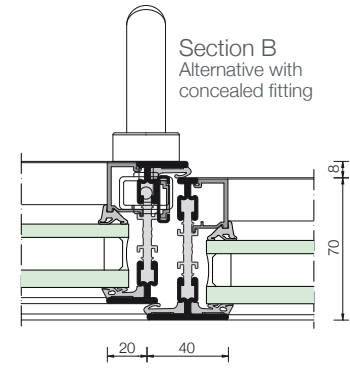
Section A
Alternative with slanted glazing bead



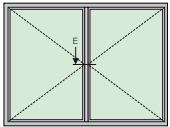
Section A-B alternative (sash concealing)
Alternative with offset glazing bead



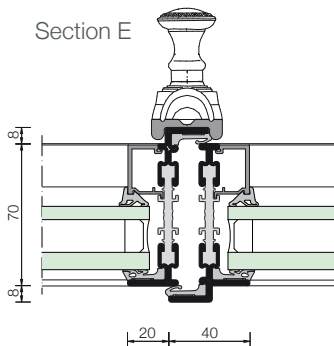
Section B
Alternative with concealed fitting



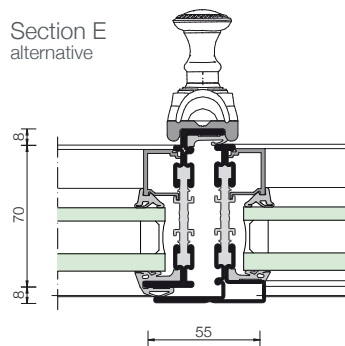
Double casement leaf
centre meeting stile inward



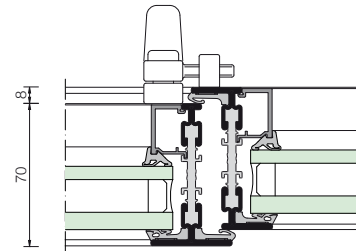
Section E



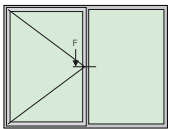
Section E
alternative



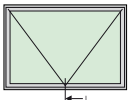
Section F



Rotating sash outwards
with side panel

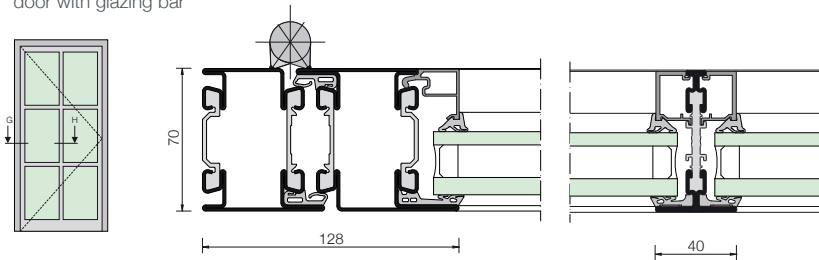


Top-hung window

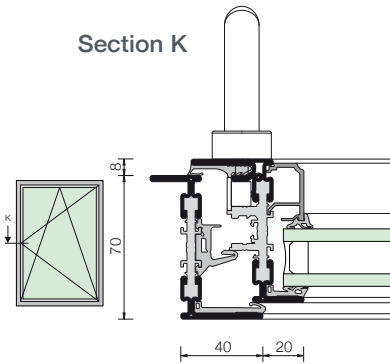


Section G-H

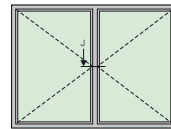
RP-ISO-hermetic 70
door with glazing bar



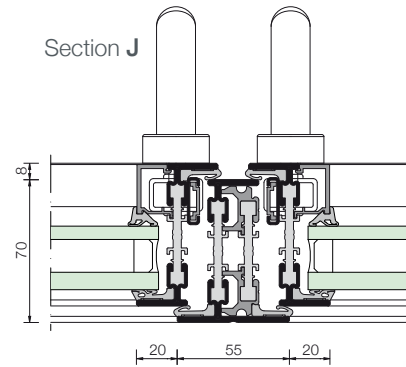
Section K



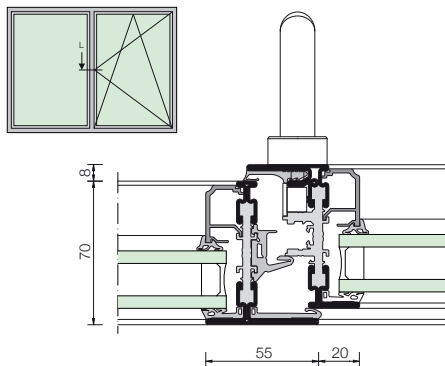
2 Turning leaves
with fixed frame
crossbar inwards



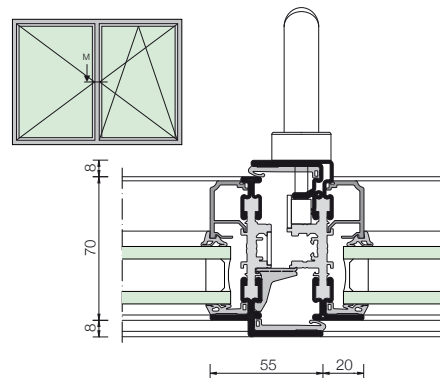
Section J



Section L



Section M



METALFORM

MASTERS OF METAL

UNITED KINGDOM

METALFORM

NORWAYMETAL LTD

53 Chelsea Manor Street

London, SW3 5RZ

SALES@METALFORM.UK

+44 20 81298814

GERMANY

METALFORM GMBH

Carl-Zeiss-Ring 15A

85737 Ismaning

SALES@METALFORMGROUP.DE

+49 17663630406

NORWAY

METALFORM AS

Brochmannsveien 2

1950 Rømskog

SALG@METALFORM.NO

+47 401 62 446

METALFORMGROUP

SALES@METALFORMGROUP.COM